

JENNY PRODUCTS INC.
 2560-C, GES, 208-575/60/3, N/C, LWC, ELECT-IGN

2660-C, GES, LWC, ELECT-IGN

208-230-460-676/60/3, N/C, LWC

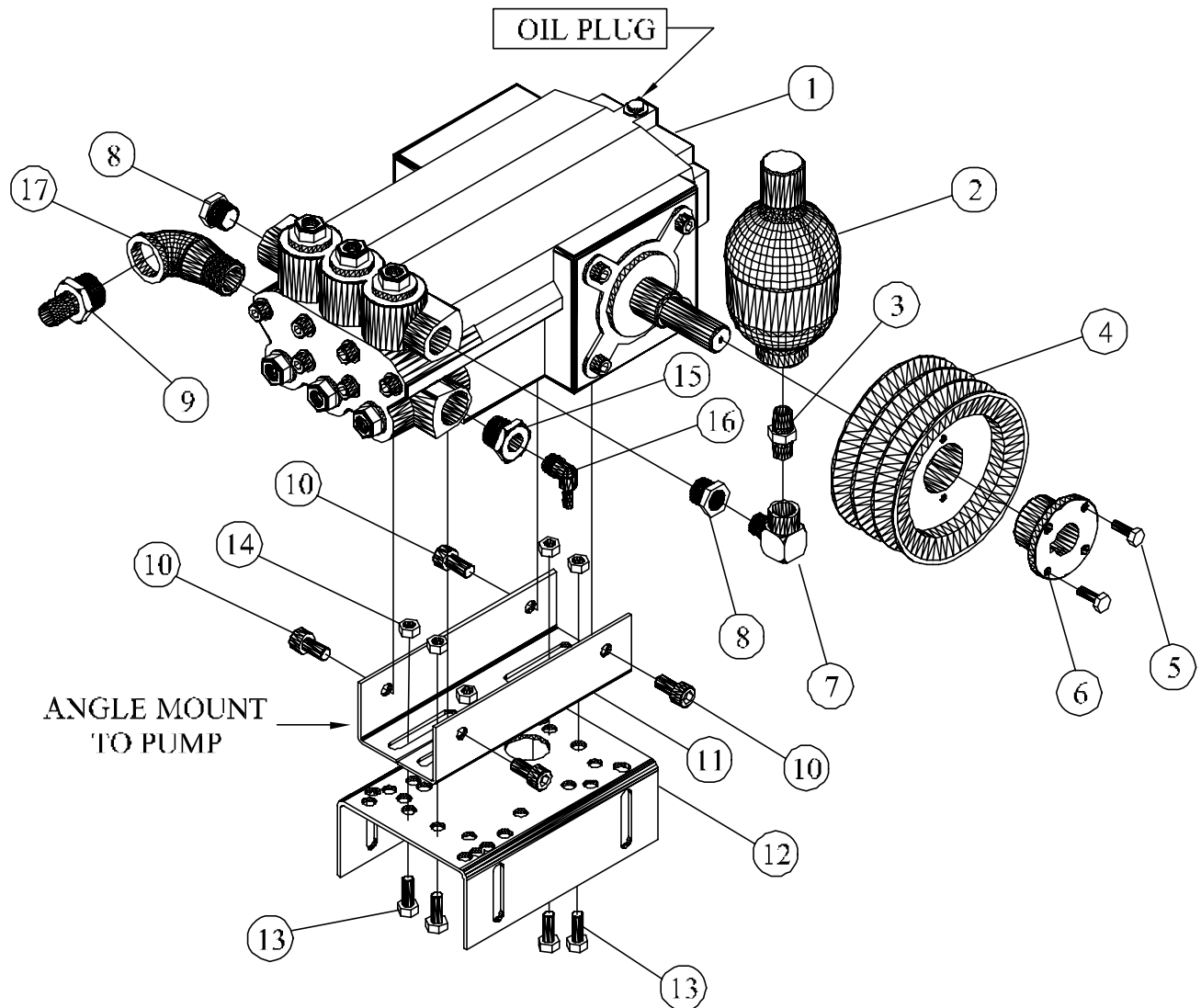
PARTS LIST

Note: Figure 20- (Common Parts)

Electrical Dia. File: Jw 307

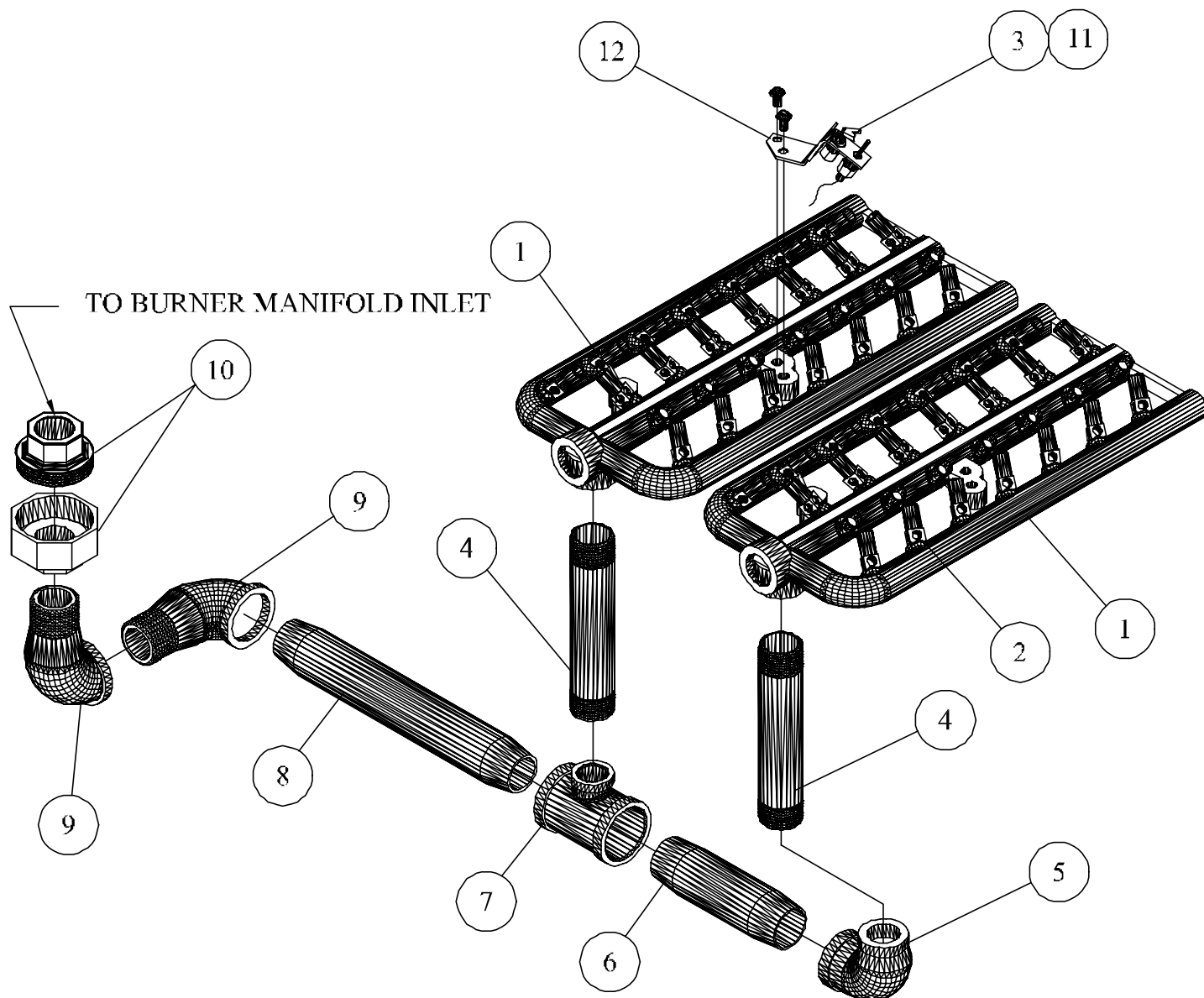
ITEM NO.	DESCRIPTION	QTY.	PART NO.
1	CHASSIS, MODULE, MOTOR-PUMP, GES, LES	1	JD8500
2	CHASSIS, MODULE, COIL, STL, PNTD, SIZE-C	1	JD8506
3	CASING, COIL, ASSY, STEEL, 2100, SIZE-C	1	JP5507-A
4	COVER, ACCESS, CASING, COIL, GES, 1600-4800	1	JP5314-01
5	LEGS, STATIONARY, STEEL, PAINTED, GES	4	JD8507
6	LEG, ADJUSTABLE, FRONT, STEEL, PAINTED, GES	1	JD8508
7	LEG, ADJUSTABLE, REAR, STEEL, PAINTED, GES	1	JD8509
8	PANEL, SUPPORT, COVER, REAR, STL, PAINTED, GES	1	JD8510
9	PANEL, SIDE, MODULE, CHASSIS, MTR, PMP, ST, GES	1	JD8515
10	BRACKET, SUPPORT, BURNER, ST, SIZE-C	2	JD8526
11	SHIELD, HEAT, BURNER, ST, PAINTED, SIZE-C	1	JD8520
12	COVER, SS, ASSY, NEW, GES	1	JD8523
13	INSULATION, CERAMIC, 1-1/2 X 42 X 69 , #6	1	JD3085
14 ASSY SEE FIG 1-5	TANK, FLOAT, SS, LARGE, BOLT-ON, GES	1	JD8524
15 ASSY SEE FIG 1-6	VALVE, FLOAT, FITTING, ASSY	1	
16	CLAMP, HOSE, NYLON, BLACK, .406-.468 DIA	2	JD7859-A
17 ASSY SEE FIG 1-10	NOZZLE, STEAM, ASSY	1	
18 ASSY SEE FIG 1-9	GUN, SCH80, N/C, W/O, SWIVEL, ASSY, 3/8"	1	JP4261-H
19	HOSE, COMBINATION, JENNY, 3/8" X 50'	1	JD7624
20-A	MOTOR, 10HP, 208-230-480/60/3, 1725RPM, TEFC, F2, CF	1	JB3019
20-B	MOTOR, 10HP, 575/60/3, 1725RPM, TEFC, F2, CF	1	JB3020
21	PULLEY, CI, TG, TH, 3BK55H, 4.5PDA, 4.9PDB	1	JD3904-76
22	BUSHING, PULLEY, TAPERED, 1-1/8" BORE	1	JD3915-04
23	CONNECTOR, RELIEF, STRAINER, .700-.950, 1NPTM	3	JD1687-19
24	WIRE, SO, CPE, BLACK, 8/4	1.5	JE 479
25 ASSY SEE FIG. 20-2	SWITCH, PRESSURE, W/BRACKET, WELDED, ASSY	1	JP7731
26 ASSY SEE FIG 1-3	MANIFOLD, FITTING, VALVE, 2560-C, ASS'Y, GES	1	JD8215
27	BELT, VEE, COG, BX43	3	JD3959-07
28 ASSY SEE FIG. 20-1	VALVE, SOLENOID, SOLUTION, 24V, 1/4NPT	1	JD2162-F
	OIL, PUMP, SYNTHETIC, HIGH-PERFORMANCE, 1 QT	1	JD7999-A
	OIL, PUMP, SYNTHETIC, HIGH-PERFORMANCE, 1 PT	1	JD7999-B
29 ASSY SEE FIG 1-1	PUMP, MOUNTING & FITTING, ASS'Y 2560-C, GES	1	JD8317
30-A ASSY SEE FIG 1-4	CONTROL, INLET, NAT, BURNER, ASS'Y, 2560-C, GES	1	JD7881
30-B ASSY SEE FIG 1-4	CONTROL, INLET, LP, BURNER, ASS'Y, 2560-C,	1	JD7886
31-A ASSY SEE FIG 1-2	MANIFOLD, BURNER, ASS'Y, 2560-C, GES	1	JD7895
31-B ASSY SEE FIG 1-2	MANIFOLD, BURNER, ASS'Y, 2560-C, LES	1	JD7884
32 ASSY SEE FIG 1-7	BOX, JUNCTION, PANEL, FRONT, 230/460/3, 12-37A, GES	1	JE2013
33 ASSY SEE FIG 1-8	PLATE, COVER, PANEL, CONT, BOX, JCT, CMB, GES	1	JD8514
34	HOSE, HYD, 3K PSI, 56" L, 3/8NPTM, 3/8NPTM	1	JD7994
35	COIL, GAS, FIRED, 1/2" PIPE, SCH80, 2560-C	1	JP5508-A
36	TEE, FEMALE, STEEL, PLATED, 1/2NPT	1	JD3734-01
37	BUSHING, REDUCER, HEX, STEEL, PLATED, 1/2 X 3/8	2	JD2599
38	WASHER, FLAT, S.S., 7/8 O.D. X 5/32 I.D. X 20 GA.	6	JP7720-03
39	ELBOW, REDUCER, ST, PLTD, 90DEG, FEM, 1/2 X 3/8	1	JD7847
40	THERMOSTAT, IMMERSION, SP, ST, NC, 340 DEG F	1	JD7137-A
41	RING, CASING, COIL, SS, 22-1/4OD X 9-15/16 ID	1	JD3017
42	MOLDING, RUBBER, FOAM, ADHESIVE, 1/2W X 1/8T	4.166	JD3782-B
43	CLAMP, WIRE, IGNITION, STAND OFF	1	JD7001
44	GROMMET, RUBBER, BLACK, 5/8" I.D.	5	JD3385
45	GROMMET, RUBBER, BLACK, 7/16" I.D.	5	JD3385-01
46	CLAMP, CABLE, NYLON, 3/8"	3	JD6055

47	GROMMET, RUBBER, BLACK, 1-1/2 I.D.	3	JP 675
48	STRAINER, CHEMICAL, BRASS, 1/4" HOSE BARB	1	JD7140-A
49	TUBING, PVC, CLEAR, 3/8 OD X 1/4ID	7.1	JD3087
50	CLAMP, SLEEVE, PLASTIC, 3/8 I.D.	6	JD2759
51	WASHER, LOCK, SPLIT, STEEL, PLATED, 1/2"	4	JD 615
52	WASHER, FLAT, SERIES, "N", STEEL, PLATED, 1/2	4	JD7028
53	SCREW, CAP, HEX, HD, STEEL, PLATED, 1/2-13 X 1"	4	JD1165
54	SCREW, THUMB, STEEL, PLATED, W/ SHOULDER, 1/4-20X1/2	2	JD1433
55	NUT, SPEED, TINNERMAN, 1/4-20	2	JD7042
56	SCREW, MACHINE, PHILLIP, ST, PL, 10-24 X 3/8	2	JD3846
57	HOSE, HYD, 3K PSI, 23"L, 3/8NPTM, 90D-3/8NPTM	1	JD7542
58	SCREW, FLANGE, HEX, SERR, STL, PLATED, 1/4-20 X 1/2"	22	JD7904-A
59	BOLT, ELEVATOR, STEEL, PLATED, 3/8 X 2-1/2, 1"HD	2	JD7906-G
60	SCREW, FLANGE, HEX, SERR, ST, PL, 5/16-18 X 1/2	2	JD7905
61	SCREW, FLANGE, HEX, SERR, ST, PLATED, 3/8-16 X 3/4	39	JD7906-A
62	NUT, LOCK, FLANGE, HEX, SERR, STEEL, PLATED, 3/8-16	17	JD7774-F
63	SCREW, CAP, HEX, STEEL, PLATED, FLT, 3/8-16 X 2-1/4"	2	JD7035
64	NUT, LOCK, FLANGE, HEX, SERR, STEEL, PLATED, 1/4-20	4	JD7774-D
65	SCREW, SLF, DRL, PHILLIP, STEEL, PLATED, #8 X 1/2	4	JD6050
66	SCREW, SLF, DRL, HEX, WASHER, PLATED, #10 X 5/8	6	JD7074-A
67	SCREW, CARRIAGE, GRS, STEEL, PLATED, 3/8 X 6	2	JD7798
68	SCREW, SLF, TAPED, PHILLIP, STL, PL, 8-32 X 3/8	12	JD3043
69	CLAMP, HOSE, GEAR, WORM, SS, 9/16 TO 1-1/16 DIA	6	JD1229-A
70	RECEPTICAL, CLIP-ON, STEEL, DACROTIZED	10	JP7733-01
71	HOSE, RUBBER, GARDEN, 5/8	4.1'	JL 146
72	J-BOLT 3/8-16 X 4" LONG	2	JP7182
73	LUG, TERMINAL, COPPER, 3/16 BOLT, 6/14 GAUGE	1	JD6152
74	PLATE, NAME, ALUM, PRINT, BLACK, 4X4	1	JD3456
75	TAG, WARNING, WATER, TRAP, GAS FIRED UNIT	1	JD7207
76	TAG, WARNING, GAS, PRESSURE	1	JD3097
77	RIVET, AL, .160-.164 HOLES, .063-.125, GRP, 5/32	6	JP7720-02
78	SCREEN, COVER, MACHINE, STEEL, PAINTED	1	JP7720-01
79	RETAINER, SCREW, PHILLIPS, HEAD, "N"	6	JP7733-02
80	SCREW, PHILLIPS, HEAD, "N", COVER	6	JP7733
81	NOZZLE, SPRAY, PSI, SS, QCK CON, 0 DEG, O#7.5	1	JD7755-07
82	NOZZLE, SPRAY, PSI, SS, QCK CON, 15 DEG, O#7.5	1	JD7756-07
83	NOZZLE, SPRAY, PSI, SS, QCK CON, 25DEG, O#7.5	1	JD7757-07
84	NOZZLE, SPRAY, PSI, SS, QCK CON, 40DEG, O#7.5	1	JD7758-07
NOT SHOWN	DECAL, DANGER, WARNING, CAUTION, LARGE	1	JD7239
NOT SHOWN	DECAL, NUMBER, MODEL, 2560-C, BLUE, LARGE	1	JD8476
NOT SHOWN	DECAL, WARNING, VALVE, TURN-OFF	1	JD6155-A
NOT SHOWN	DECAL, NOTICE, GROUND, 4MILTHK, 5YRWHT	1	JD2344-01
NOT SHOWN	DECAL, MADE-IN-THE-USA, JENNY	1	JD6211
NOT SHOWN	DECAL, PACKED, GROOMED, TESTED	1	JD6013
NOT SHOWN	DIVERTER, DRAFT, VERTICAL, 10"	1	JD3018



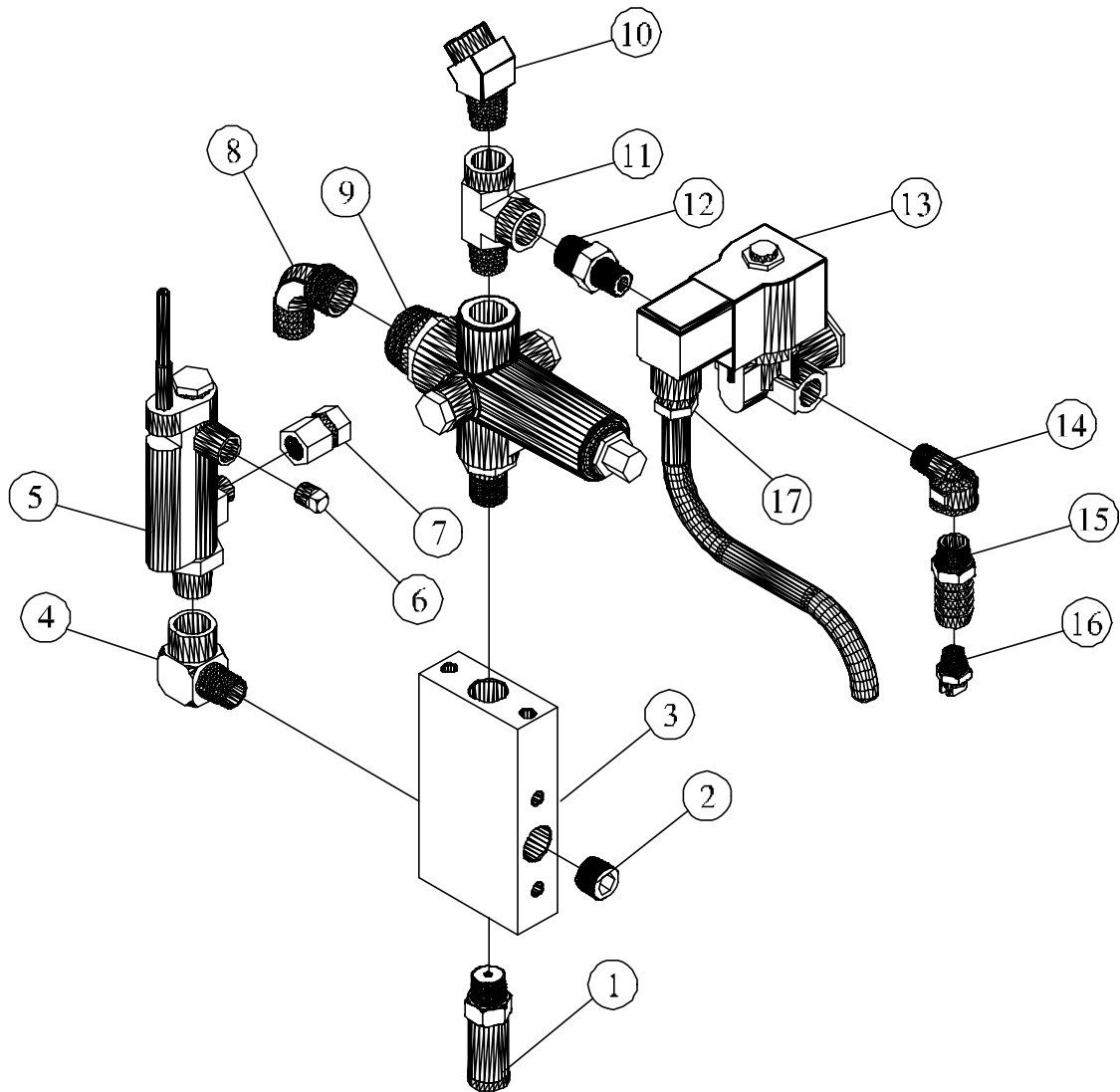
ITEM NO.	QTY.	DESCRIPTION	PART NO.
1	1	PUMP, PLUNGER, TRIPLEX, 2500PSI, 5.9GPM, HYPRO	JD7479
2	1	ACCUMULATOR, BLADDER, 3000# WP, 1050# CHARGE	JD7646-I
3	1	NIPPLE, HEX, STEEL, PLATED, 3/8NPT X 3/8NPT	JD3716-01
4	1	PULLEY, CI, TG, TH, 3BK55H, 4.5PDA, 4.9PDB	JD3904-76
5	2	H.H.B. 1/4-20 UNC-3/4 CLS 5 RECEIVED W/ BUSHING	
6	1	BUSHING, PULLEY, TAPERED, 1" BORE	JD3915-09
7	1	ELBOW, STREET, STEEL, PLATED, 3/8NPT	JD3717-03
8	2	BUSHING, REDUCER, HEX, STEEL, PLATED, 1/2 X 3/8	JD2599
9	1	SPUD, HOSE, BRASS, 5/8 HOSE X 3/4 NPT	JP6595
10	4	BOLTS RECEIVED W/ PUMP	
11	2	ANGLE, PLATES, RECEIVED, W/ THE, PUMP	
12	1	PLATE, MOUNTING, STEEL, PAINTED, JB	JD8016
13	4	SCREW, FLANGE, HEX, SERR, STEEL PLATED, 3/8-16 X 3/4	JD7906-A
14	4	NUT, LOCK, FLANGE, HEX, SERR, STEEL, PLATED, 3/8-16	JD7774-F
15	1	BUSHING, REDUCER, HEX, BRASS, 3/4 X 3/8	JD3114
16	1	BARB, HOSE, ELBOW, MALE, BRASS, 1/4 HS X 3/8 NPT	JD7871
17	1	ELBOW, STREET, BRASS, 3/4" NPT	JD7988

FIGURE 1-1 (Pump Mounting & Fittings, JD8317, 2560- C. Ass'ly)



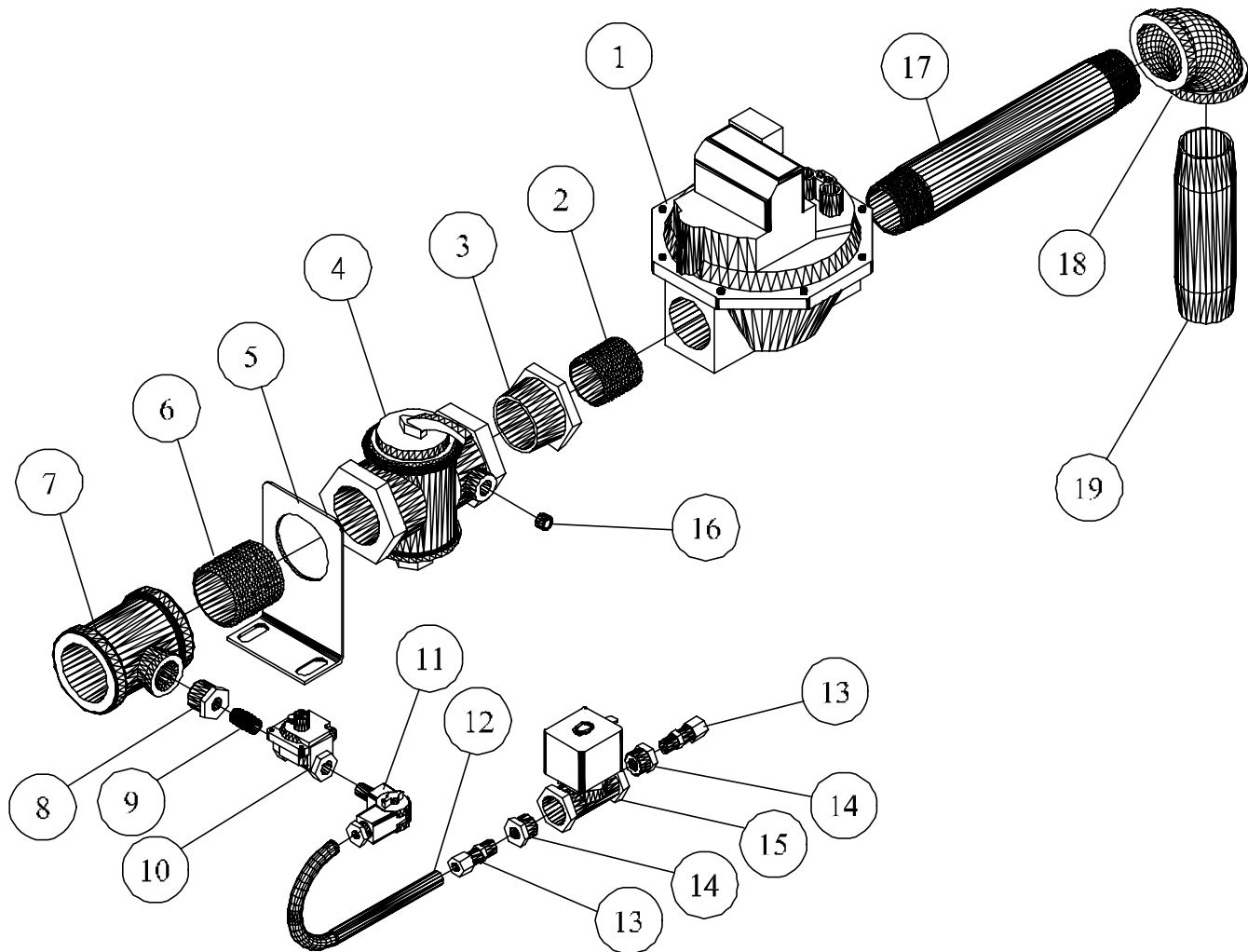
ITEM NO.	QTY.	DESCRIPTION	PART NO.
1A	2	BURNER, NAT, #640 JETS, 0#52, U-29	JD3128-C
1B	2	BURNER, LP, #640 JETS, 0#56, U-29	JD3229
2A	58	JET, BURNER, GAS, NATURAL, BRASS, #52, .064	JD3082
2B	58	JET, BURNER, GAS, LP, BRASS, #56, .047	JD2360
3A	1	PILOT, BURNER, NAT, Q314B1019	JD2359-01
3B	1	PILOT, BURNER, LP, Q314B1019-LP	JD2359-02
4	2	NIPPLE, STEEL, SCH 40, 3/4 NPT X 5 LONG	JD1219
5	1	ELBOW, FEMALE, MI, 1-1/4 NPT X 3/4 NPT	JD 993
6	1	NIPPLE, STEEL, SCH 40, 1-1/4 NPT X 5-1/2 LONG	JD3074
7	1	TEE, FEMALE, MI, 150#, 1-1/4 X 1-1/4 X 3/4	JD1274
8	1	NIPPLE, STEEL, SCH 40, 1-1/4 NPT X 10-1/2 LONG	JD7887
9	2	ELBOW, STREET, MI, 150#, 1-1/4 NPT	JD1013
10	1	UNION, FEMALE, MI, 150#, BRZ-IR SEAT, 1-1/4	JD1294
11	1	SENSOR, IGNITOR, W/MT-BRKT&HWDR, 60" LEAD	JP7694-D
12	1	BRACKET, MOUNTING, PILOT, U-29, BURNER	JD8528

FIGURE 1-2 (Burner, Gas, Natural, JD7895, 2560-C, Assy)



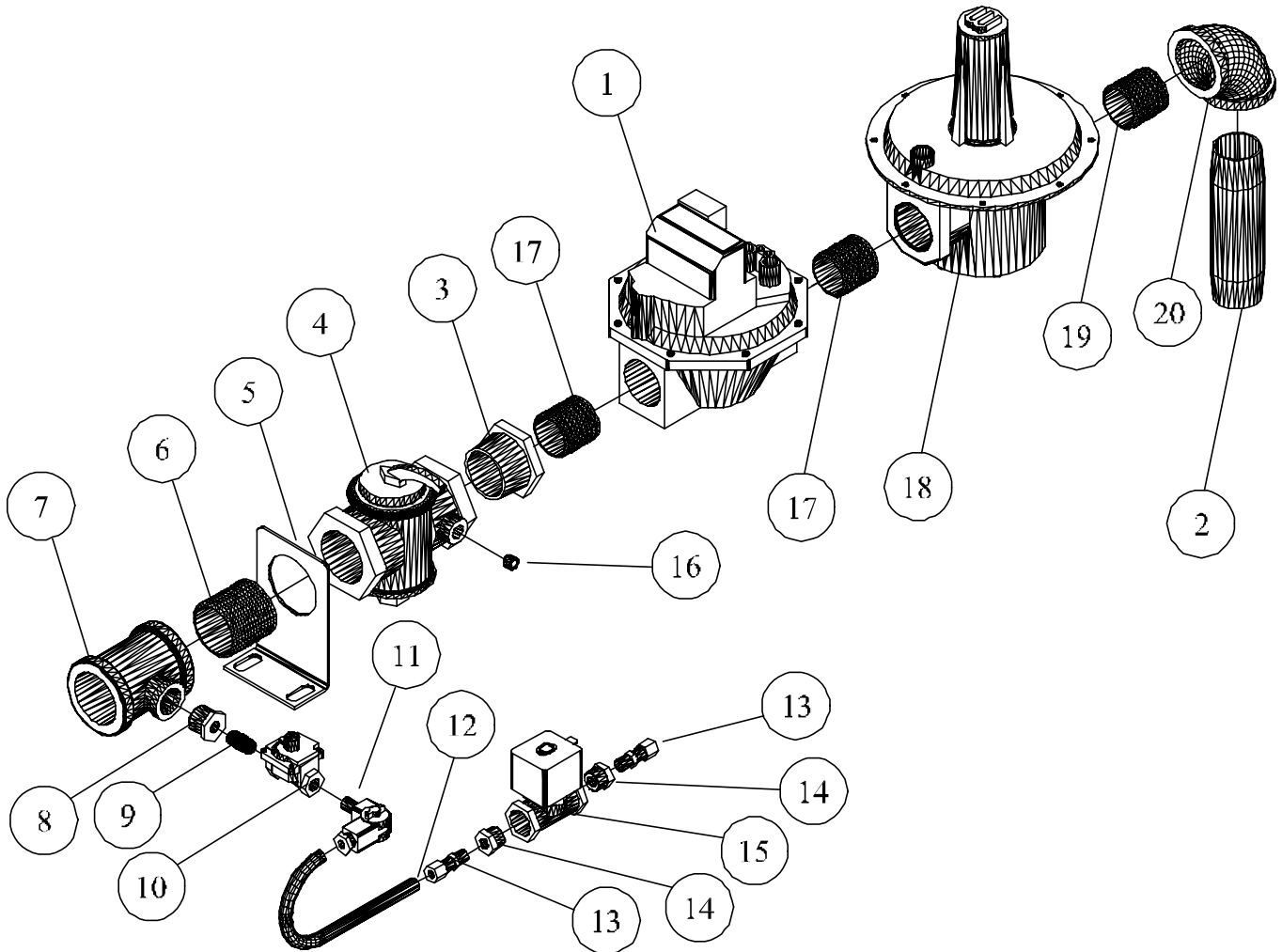
ITEM NO.	QTY.	DESCRIPTION	PART NO.
1	1	VALVE, RELIEF, 2400-3000PSI, 160F, 3/8NPTM	JD7048-A
2	1	PLUG, SOCKET, HEX, BRASS, 3/8NPT	JD7151
3	1	MANIFOLD, FITTING, STEEL, PLATED, ALL, UNIT	JP7716
4	1	ELBOW, STREET, STEEL, PLATED, 3/8NPT	JD3717-03
5	1	SWITCH, FLOW, SP, ST, NO, 20VA, 3/8 NPTM	JD7279
		REPLACEMENT, REED, SWITCH, ASSY W/47" LEAD	JD7279-01
6	1	PLUG, HEAD, SQUARE, BRASS, 1/4NPT	JD 679-02
7	1	ADAPTER, SWIVEL, FEMALE, STEEL, PLATED, 3/8 X 3/8	JD3719-01
8	1	BARB, HOSE, ELBOW, MALE, BRASS, 5/8HS X 1/2NPT	JD7150-02
9	1	VALVE, UNLOAD, FLW, ACT, 1000-3000#, 4.2-6.6	JD3325-F
10	1	ELBOW, STREET, 45 DEG, STEEL, PLATED, 3/8NPT	JD1678
11	1	TEE, STREET, STEEL, PLATED, 3/8 NPT	JD 860-02
12	1	NIPPLE, HEX, STEEL, PLATED, 1/4NPTM X 3/8 NPTM	JD 732-03
13	1	VALVE, SOLENOID, BYPASS, 24V, 1/4NPT	JD3063-E
14	1	ELBOW, REDUCER, BRASS, STREET, 90DEG, 3/8F X 1/4M	JD7825
15	1	BARB, HOSE, MALE, BRASS, TAPPED, 1/4, 5/8HS X 3/8	JP6898
16	1	NOZZLE, SPRAY, PSI, WASH, SS, 1/4 MEG - 2512	JD6193
17	1	CONNECTOR, SOLENOID, RELIEF, STRAIN, DIN	JD7703

FIGURE 1-3 (Manifold, Valve, Fitting, JD8232, 2560-C, Ass'y)



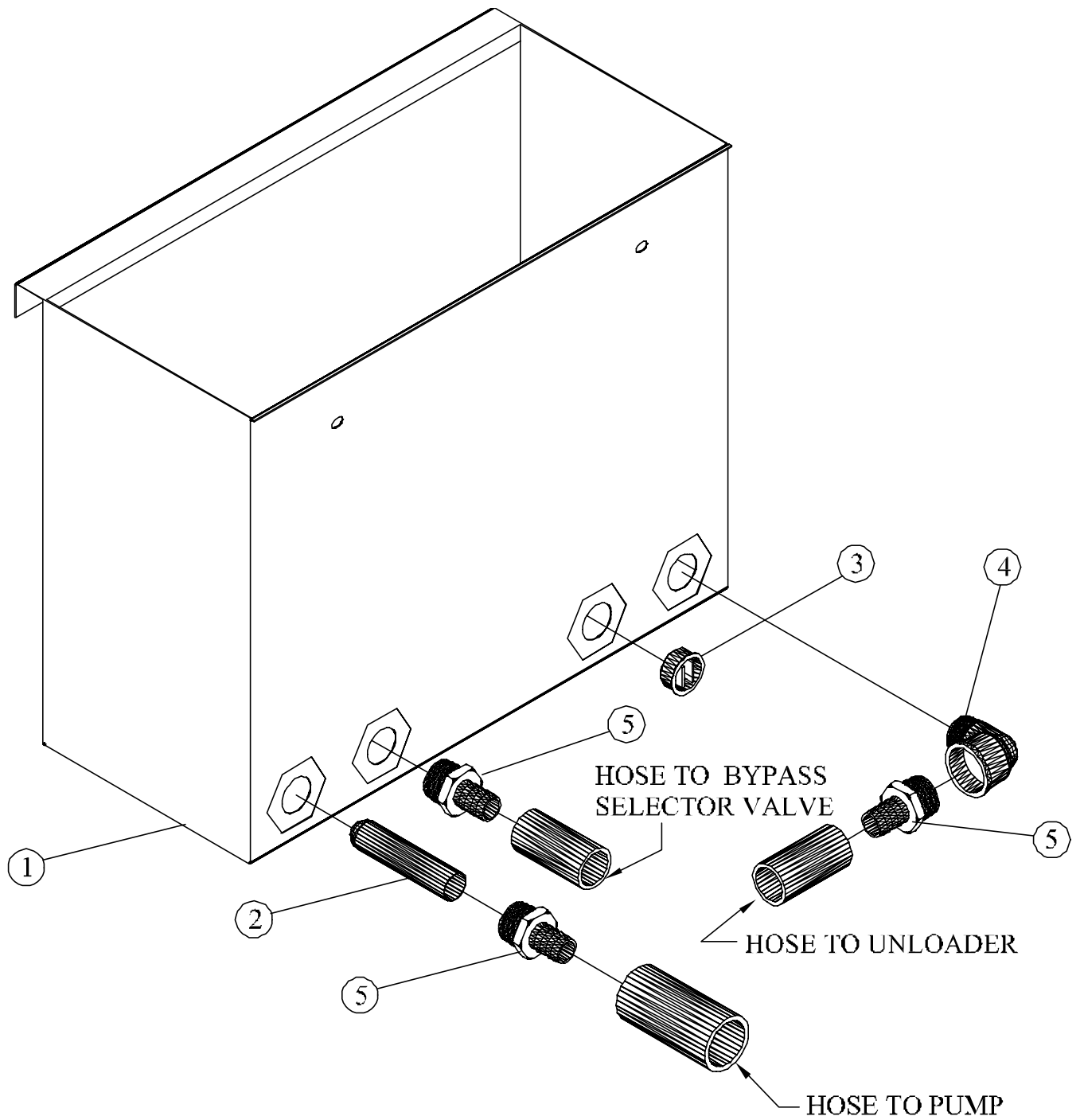
ITEM NO.	QTY.	DESCRIPTION	PART NO.
1	1	VALVE, SOLENOID, NAT, 24VAC, 1-1/4"	JD3845-K
2	1	NIPPLE, CLOSE, STEEL, SCH40, 1-1/4" NPT	JE 886
3	1	BUSHING, REDUCER, HEX, MI, 1-1/2" X 1-1/4"	JD3075
4	1	COCK, VALVE, GAS, WITH HANDLE, 1-1/2" NPT	JP1496-A
5	1	BRACKET, MANIFOLD, GES, 4800	JD8525
6	1	NIPPLE, CLOSE, STEEL, SCH 40, 1-1/2"NPT	JD1243
7	1	TEE, FEMALE, MI, 150#, 1-1/2" X 1-1/2" X 1/2	JD3076
8	1	BUSHING, REDUCER, HEX, BRASS, 1/2 X 1/8	JD6243
9	1	NIPPLE, CLOSE, STEEL, SCH 80, 1/8" NPT	JD2167
10	1	REGULATOR, GAS, PILOT, NAT, 3-6", RV10, 1/8"	JD6008
11	1	VALVE, PILOT, SHUTOFF, BRASS, 1/8 NPT M X 1/4 TUBE	JP2510-05
12	1	TUBING, ALUMINUM, 1/4 O.D. X .032 WALL	JD1820
13	2	CONNECTOR, MALE, COMPRESSION, BRASS, 1/4TBX1/8	JD3780-A
14	2	BUSHING, REDUCER, HEX, BRASS, 3/8 X 1/8	JD3092
15	1	VALVE, SOLENOID, GAS, 24V, 3/8 NPT	JP3731-B
16	1	PLUG, SOCKET, HEX, BRASS, 1/8 NPT	JD7243
17	1	NIPPLE, STEEL, SCH 40, 1/1/4 NPT X 9 LONG	JD3466
18	1	ELBOW, FEMALE, MI, 150#, 1-1/4 X 1-1/4	JE 888
19	1	NIPPLE, STEEL, SCH 40, 1-1/4 NPT X 5-1/2 LONG	JD3074

FIGURE 1-4A (Manifold, Burner, Nat. Gas Inlet, JD 7881, 2560 - C, Ass'y)



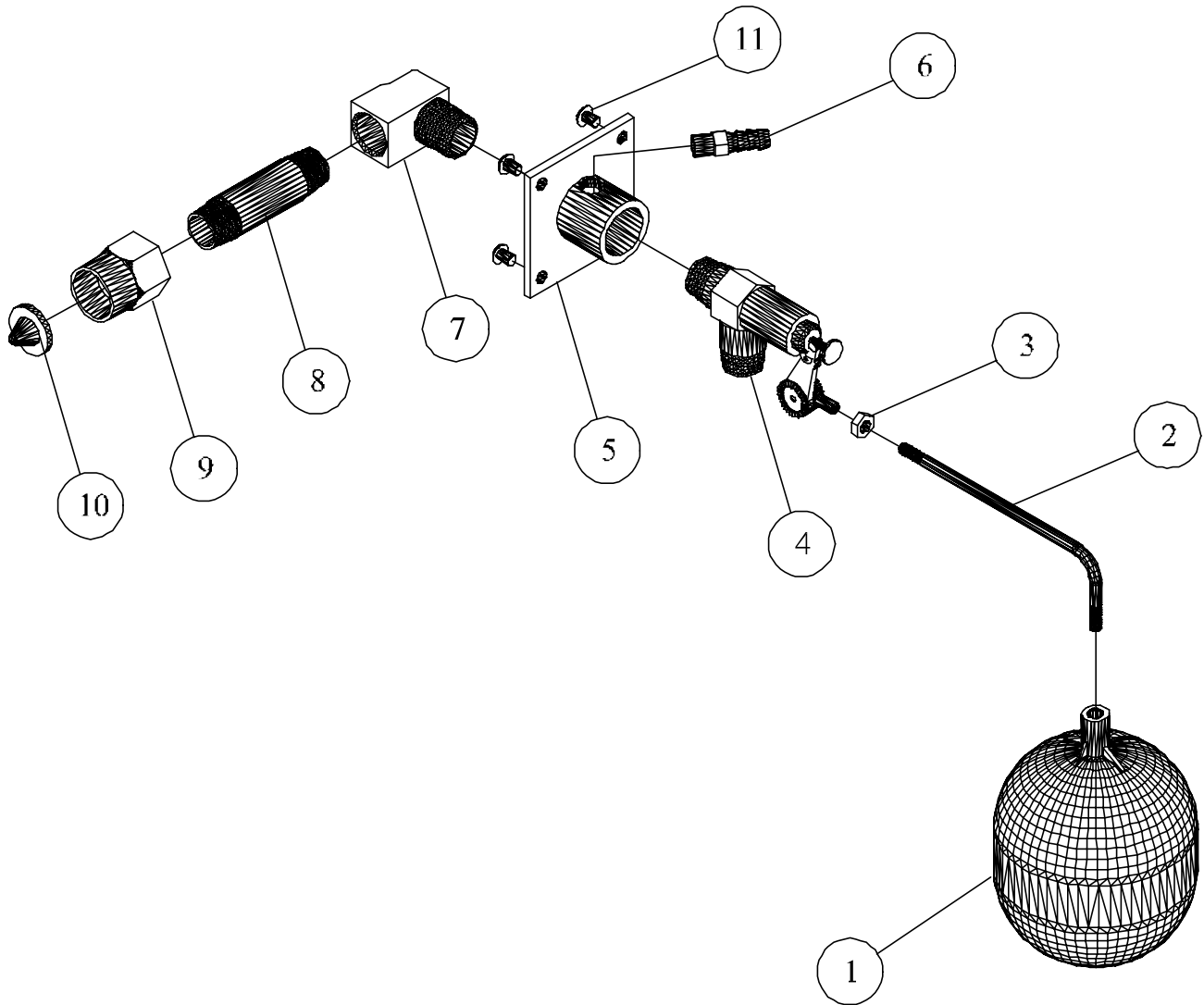
ITEM NO.	QTY.	DESCRIPTION	PART NO.
1	1	VALVE, SOLENOID, LP, 24VAC, 1-1/4"	JE 919-A
2	1	NIPPLE, STEEL, SCH 40, 1-1/4 NPT X 5-1/2 LONG	JD3074
3	1	BUSHING, REDUCER, HEX, MI, 1-1/2" X 1-1/4"	JD3075
4	1	COCK, VALVE, GAS, WITH HANDLE, 1-1/2" NPT	JP1496-A
5	1	BRACKET, MANIFOLD, HPW 1510	JD8525
6	1	NIPPLE, CLOSE, STEEL, SCH 40, 1-1/2"NPT	JD1243
7	1	TEE, FEMALE, MI, 150#, 1-1/2" X 1-1/2" X 1/2	JD3076
8	1	BUSHING, REDUCER, HEX, BRASS, 1/2 X 1/8	JD6243
9	1	NIPPLE, CLOSE, STEEL, SCH 80, 1/8" NPT	JD2167
10	1	REGULATOR, GAS, PILOT,LP,5.5-12",RV10,1/8"	JD6008-A
11	1	VALVE, PILOT, SHUTOFF, BRASS, 1/8 NPT M X1/4 TUBE	JP2510-05
12	1	TUBING, ALUMINUM, 1/4 O.D. X .032 WALL	JD1820
13	2	CONNECTOR, MALE, COMPRESSION, BRASS, 1/4TBX1/8	JD3780-A
14	2	BUSHING, REDUCER, HEX, BRASS, 3/8 X 1/8	JD3092
15	1	VALVE, SOLENOID, GAS, 24V, 3/8 NPT	JP3731-B
16	1	PLUG, SOCKET, HEX, BRASS, 1/8 NPT	JD7243
17	2	NIPPLE, STEEL, SCH 40, 1/1/4 NPT X 2" LONG	JD1414
18	1	REGULATOR,GAS,PSI,LP,5"-12"WC,1-1/4 NPTF	JD3077-A
19	1	NIPPLE, CLOSE, STEEL, SCH 40, 1-1/4 NPT	JE 886
20	1	ELBOW,FEMALE,MI,150#,1-1/4 X 1-1/4	JE 888

FIGURE 1-4B (Manifold, LP, Burner, Inlet, Fitting, JD7886, 2560-C, Ass'y)



ITEM NO.	QTY.	DESCRIPTION	PART NO.
1	1	TANK, FLOAT, SS,LARGE,BOLT-ON, GES	JD8524
2	1	STRAINER,WATER,SS,30 MESH,25/32 O.D.X3-1/8 LG	JD3843
3	1	PLUG,TRISURE,STAINLESS,STL,3/4	JD1339-01
4	1	ELBOW, STREET, BRASS, 3/4" NPT	JD7988
5	3	SPUD, HOSE, BRASS, 5/8 X 3/4 NPT	JP6595

FIGURE 1-5 (Float, Tank, Fitting, JD8524, 2560-C Ass'y)



ITEM NO.	QTY.	DESCRIPTION	PART NO.
1	1	PLASTIC, FLOAT, PLASTIC, BLACK	JD1416-01
2	1	ROD, FLOAT, BENT, BRASS, 1/4 X 5-5/8LONG	JD1416-02
3	1	NUT, HEX, STEEL, PLATED, 1/4-20	JD 791
4	1	VALVE, FLOAT, BRASS, 60PSI, 1/2" NPTM	JD2988-B
5	1	ADAPTER, INLET, WATER, SS, 1/2, GES	JD8517
6	1	BARB, HOSE, MALE, BRASS, 1/4HS X 1/8NPT	JD6132
7	1	ELBOW, STREET, BRASS, FORGED, 1/2NPT	JD 800-01
8	1	NIPPLE, BRASS, 1/2NPTX3LONG	JD3094-02
9	1	CONNECTOR, BRASS, 3/4 GARDEN, HOSE, 1/2 NPTF	JD7142-C
10	1	WASHER, STRAINER, MESH, WIRE, BRASS, #30	JD 809
11	4	SCREW, SELF, DRL, HEX, WASHER, PLTD, 10-32 X 1/2	JD6219

FIGURE 1-6 (Valve, Float, Fitting, JD8524, 2560-C, Ass'y)

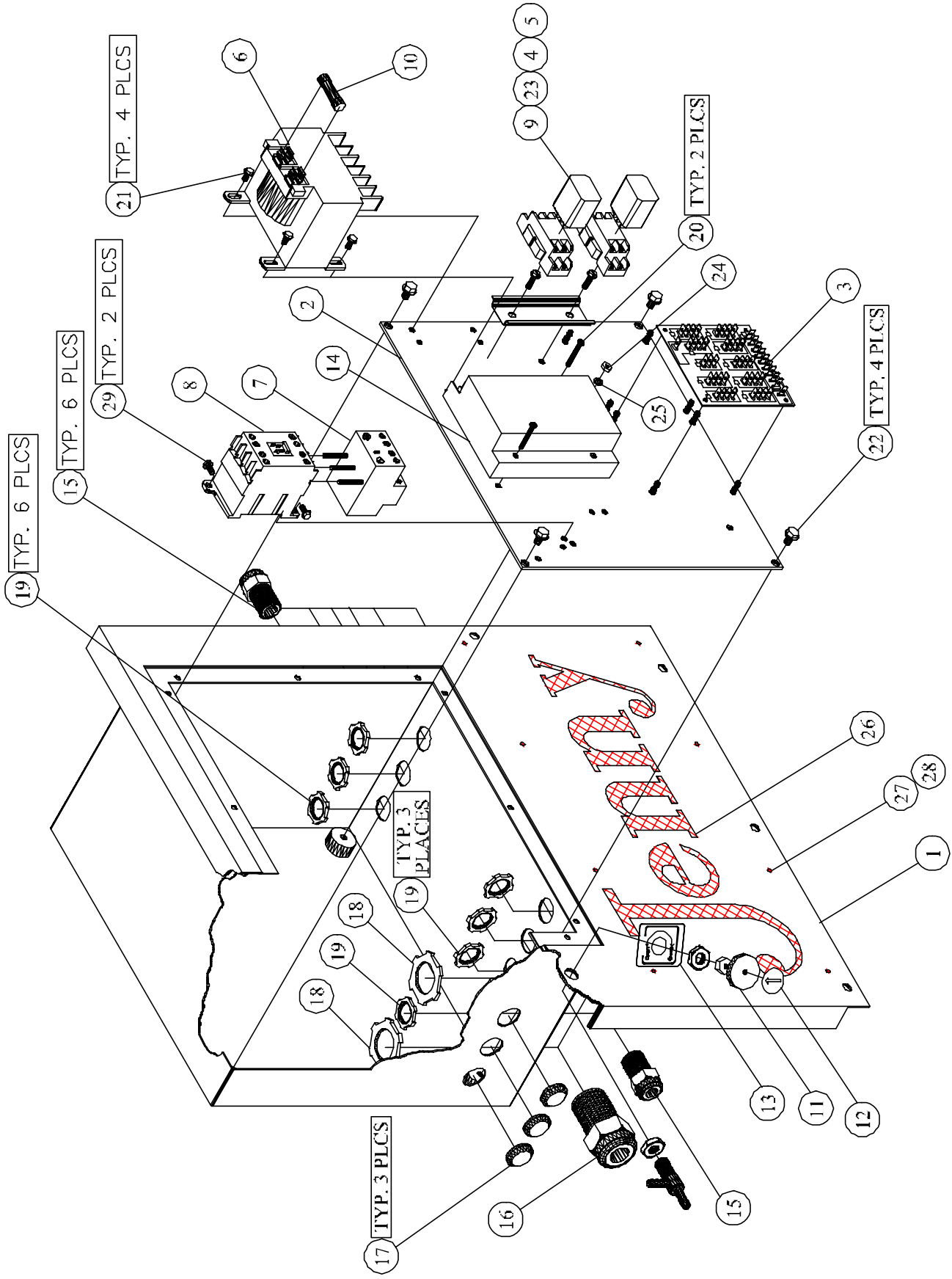
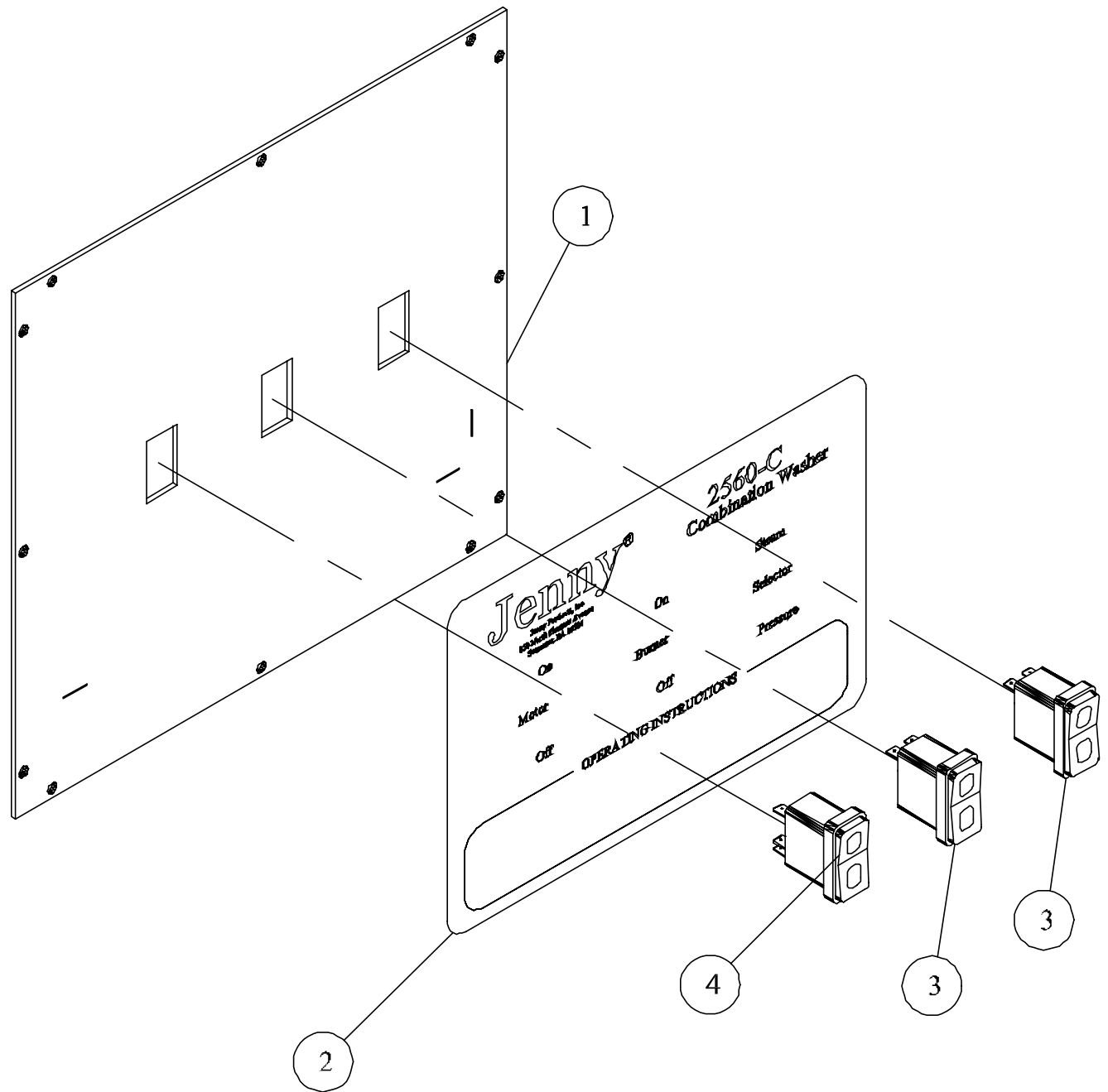


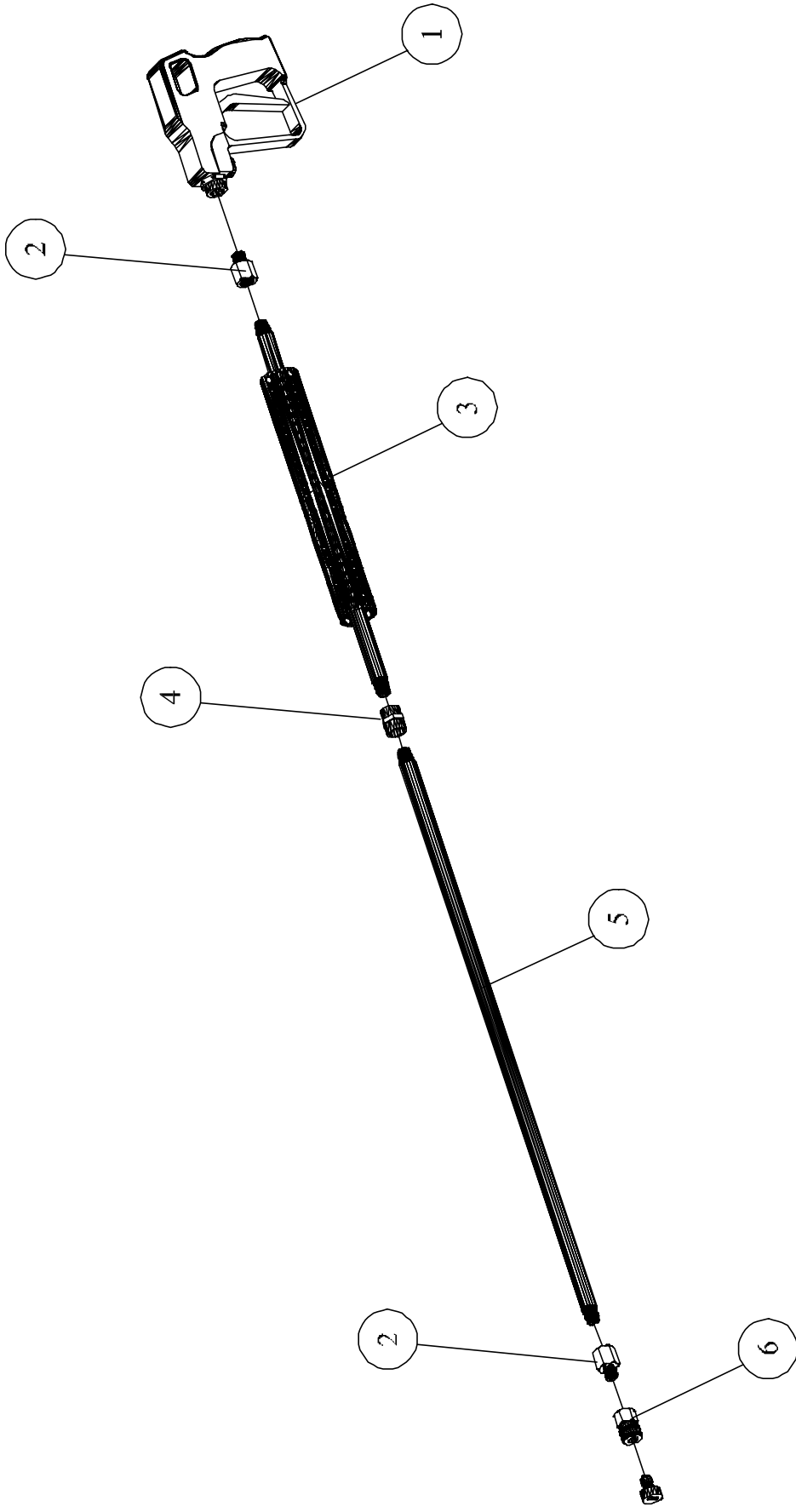
FIGURE 1-7(Box, Junction, Panel, Front, 230V-460/3,12-37A,Ges, 2560-C Ass'y, JE2013)

ITEM NO.	DESCRIPTION	QTY.	PART NO.
1	PANEL,CONTROL,BOX,JUNCTION,STL,PNTD,HNG	1	JD8511
2	PLATE,MOUNTING,PANEL,CONT,BOX,JCT,ST,HNG	1	JD8512
3	BOARD,CIRCUIT,PRINTED,ALL MACHINES	1	JB5000
4	BASE,RELAY,DP	2	JD7819-A
5	RELAY,DP,DT,24VAC	2	JD7819
6-A	TRANSFORMER,CTRL,OPN,100VA,120-460VP,24VS	1	JD2868
6-B	TRNSFRMR,CTRL,OPN,100VA,240-480VP,24VS	1	JD3987-12
7-A	RELAY,OVERLOAD,SOLID STATE,PLUG-IN (BEFORE 5-1-01)	1	JD7651-20
7-B	RELAY,OVERLOAD,THERMAL,PLUG-IN,10-14AMPS (BEFORE 5-1-01)	1	JD7651-12
7-C	RELAY,OVERLOAD,THERMAL,PLUG-IN,18-30A (AFTER 5-1-01)	1	JD7651-36
7-D	RELAY,OVERLOAD,THERMAL,PLUG-IN,10-16A (AFTER 5-1-01)	1	JD7651-34
8-A	STARTER,DP,OP,3P,50A,24V,CA7-SERIES (BEFORE 5-1-01)	1	JD7651-R
8-B	CONTACTOR,DP,OP,3P,30A,24V,W/AUX CONTACT (BEFORE 5-1-01)	1	JD7651-B
8-C	STARTER,DP,OP,3P,50A,24V,CA7-SERIES (AFTER 5-1-01)	1	JD7651-V
9	RAIL,DIN,STL,PLTD,TAIL,DOVE,1 3/8X5/16	0.16	JD7768-A
10	FUSE,ELEMENT,DUAL,DELAY,TIME,250V,6AMP	1	JD3107-11
11	VALVE,NEEDLE,SOLUTION,BRASS,1/4IDHS-BARB	1	JD6248-A
12	DECAL,INDICATOR,HANDLE,VAL	1	JD7143
13	DECAL,SOLUTION,METERING,VALVE	1	JD7821
14	CONTROL,IGNITION,UNIT,LOCKOUT,SP745	1	JP7694-A
15	CONNECTOR,RELIEF,STRAIN,1/4-3/8,1/2 NPTM	6	JD1687-06
16	CONNECTOR,RELIEF,STRAIN,.700-.950,1.0" NPTM	2	JD1687-19
17	PLUG,HOLE,PLASTIC,BLACK,7/8"	3	JD3856
18	NUT,LOCK,CONDUIT,STEEL,PLTD,1"	2	JD3739
19	NUT,LOCK,CONDUIT,STEEL,PLTD,1/2"	6	JP 809
20	SCREW,MACHINE,PHILLIP	2	JD838
21	SCREW,FLANGE,HEX,SERR,ST,PL,8-32x3/8	4	JD7901-B
22	SCREW,FLANGE,HEX,SERR,ST,PL,1/4-20X3/8	4	JD7904
23	SCREW,SLF DRL,HEX WASHER,PLTD,#10x5/8	2	JD7074-A
24	NUT,HEX,STEEL,PLTD,10-32	1	JD 781
25	WASHER,LOCK,SPLIT,STEEL,PLATED,#10	1	JD 624
26	SCREEN,COVER,MACHINE,ST,PAINTED	1	JP7720-01
27	RIVET,AL,.160-.164 HOLE,.063-.125 GRP,5/32	8	JP7720-02
28	WASHER,FLAT,HEX,SS,3/4 O.D. X 5/32 I.D. X 20 GA.	8	JP7720-03
29	SCREW,FLANGE,HEX,SERR,ST,8-32 X 5/8	2	JD7901-D



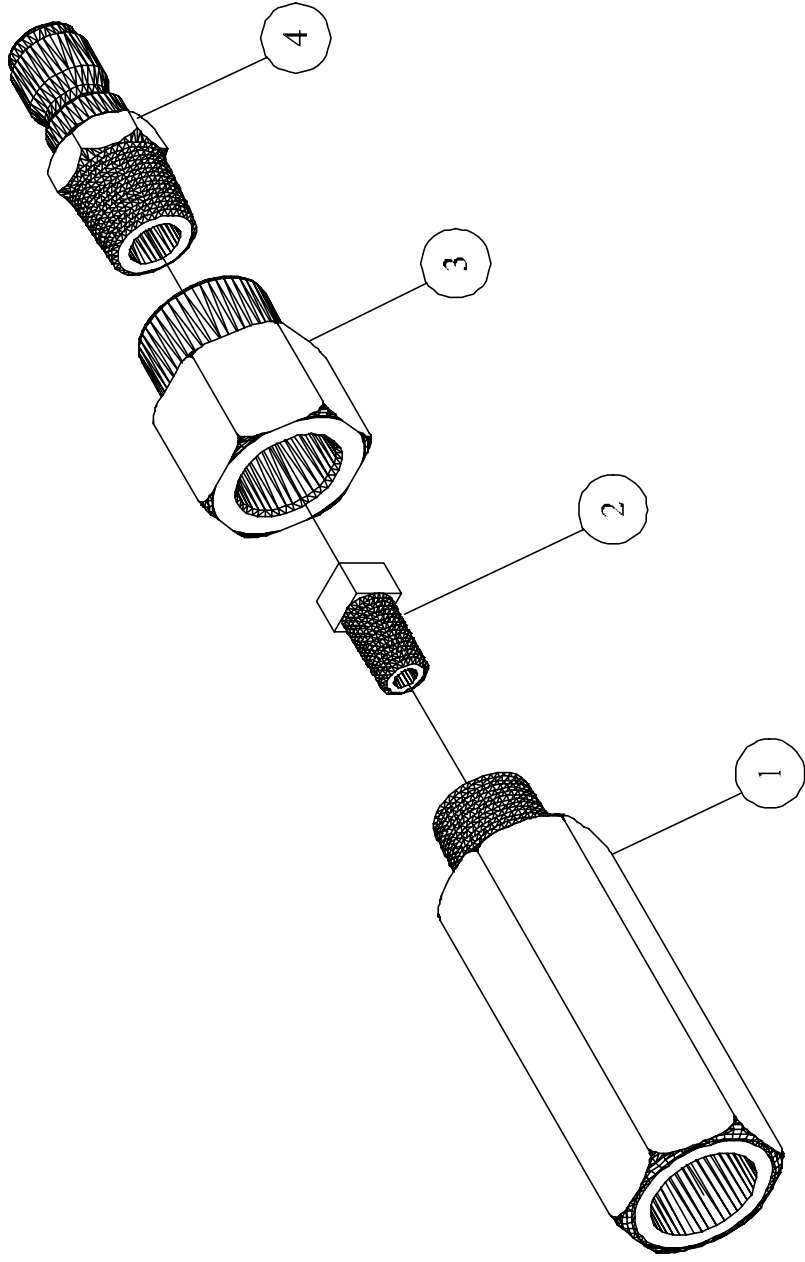
ITEM NO.	QTY.	DESCRIPTION	PART NO.
1	1	PLATE, COVER, PANEL, CONT, BOX, JUNC., CMB, GES	JD8514
2	1	DECAL, PANEL, INSTRUCTION, 2560-C, GES	JD8426
3	2	SWITCH, ROCKER, SP, ST, 10A, 24V, LED, LIGHT	JE1004
4	1	SWITCH, ROCKER, DP, DT, OFF-ON-MOM-10A, 24V	JE1006

FIGURE 1-8 (Panel, Instruction, JD8514, 2560-C, Ass'y)



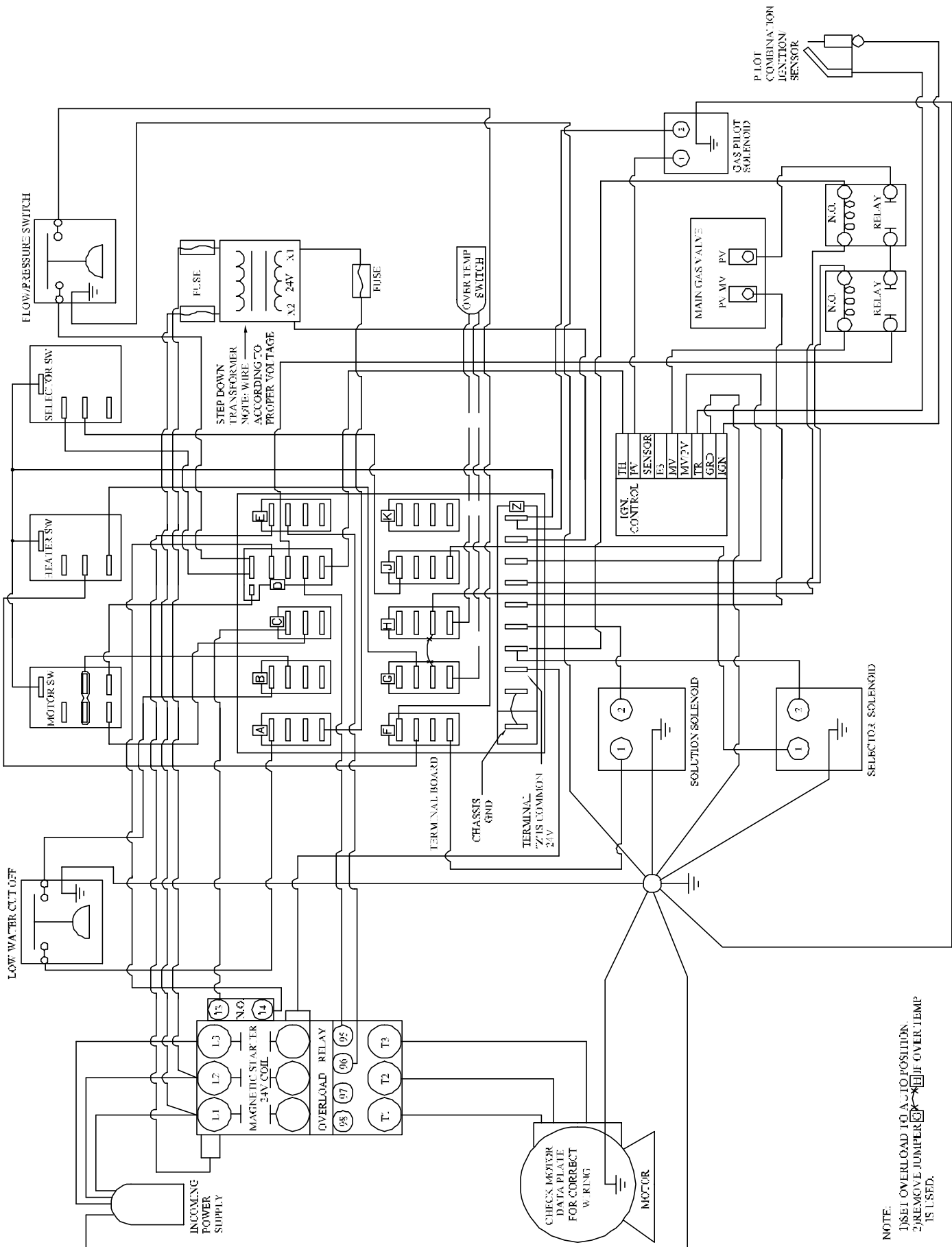
ITEM NO.	QTY.	DESCRIPTION	PART NO.
1	1	GUN, TRIGGER, 3000PSI, 8GPM, 320F	JD6068-B
2	2	ADAPTER, EXPANDING, STEEL, PLATED, 1/4M X 3/8F	JD6224
3	1	HANDLE, PERFORATED, SCH80, STEEL, ASSY, 3/8	JE 280-E
4	1	COUPLING, HEX, STEEL, PLATED, 3/8NPT X 3/8NPT	JD 907-04
5	1	NIPPLE, STEEL, SCH80, 3/8NPT X 28 LONG	JD 963
6	1	SOCKET, QUICK, COUPLING, BRASS, 1/4M X 3/8F	JD3102-02

FIGURE 1-9 (GUN, SCH80, N/C, W/O, SWIVEL, ASSY, 3/8", JP4261-H)



ITEM NO.	QTY.	DESCRIPTION	PART NO.
1	1	NOZZLE, STEAM, 3/4 HEX, STEEL, PLATED, 3/8 X 3/8	JP3308-B
2	1	ORIFICE, STEAM, SS, #35	JP3175-16
3	1	COUPLING, HEX, BRASS, 3/8NPTF X 1/4 NPTF	ID 920-01
4	1	PLUG, QUICK, COUPLING, BRASS, 1/4" NPTM	ID3103-04

FIGURE 1-10 (NOZZLE, STEAM, COMBINATION, FITTING, 2560-C, ASSY)



NOTE:
 1 USE OVERLOAD IN AUTO POSITION
 2 REMOVE JUMPER IF OVER TEMP IS USED.

(Electrical Schematic Diagram) Gas, Comb, 3PH, W/Mom & Dual Relay File Name: JW 307