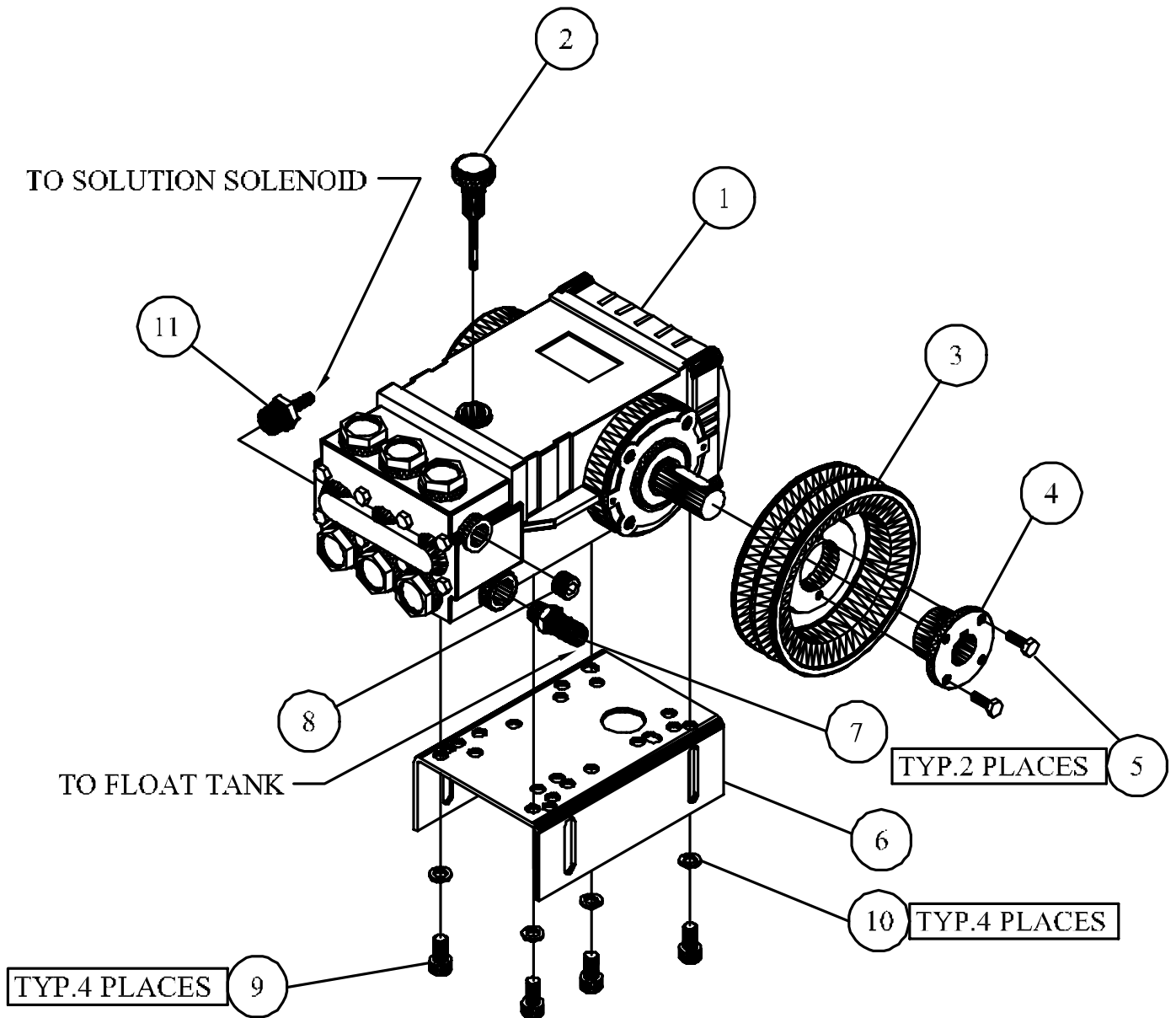


JENNY PRODUCTS INC.  
 3040-C, GES, 208-230/60/1, N/C., LWC, ELECT-IGN  
 &  
 208-575/60/3

<b>3040-C, GES, N/C, LWC</b>			
<b>208-230/60/IPH &amp; 208-575/60/3PH</b>			
Notes:Figure 20-(Common Parts)		<b>PARTS LIST</b>	
Electrical Dia. File: Jw 303			
w/ 3PH Jw 305			
<b>ITEM NO.</b>	<b>DESCRIPTION</b>	<b>QTY.</b>	<b>PART NO.</b>
1	CHASSIS, MODULE, MOTOR-PUMP, GES, GES, LES	1	JD8500
2	CHASSIS, MODULE, COIL, STL, PNTD, B-SIZE	1	JD8502
3	CASING, COIL, STEEL, PAINTED, 3040-C, B-SIZE	1	JD8505
4	LEGS, STATIONARY, STEEL, PAINTED, GES	4	JD8507
5	LEG, ADJUSTABLE, FRONT, STEEL, PAINTED, GES	1	JD8508
6	LEG, ADJUSTABLE, REAR, STEEL, PAINTED, GES	1	JD8509
7	PANEL, SUPPORT, COVER, REAR, STEEL, PNTD, GES	1	JD8510
8	PANEL, SIDE, MODULE, CHASSIS, MTR-PMP, ST, GES	1	JD8515
9	BRACKET, SUPPORT, BURNER, ST, 3040-C, GES, SIZE-B	1	JD8518
10	ASSY COVER, SS, ASSY, NEW, GES	1	JD8523
11	COVER, MACHINE, SS, GES,	1	JD8516
12	MOLDING, RUBBER, FOAM, ADHESIVE, 1/2WX1/8T	1	JD3782-B
13	SCREW, PHILLIPS, HEAD, "N", COVER	10	JP7733
14	RETAINER, SCREW, PHILLIPS, HEAD, "N"	10	JP7733-02
15	SHIELD, HEAT, BURNER, ST, PAINTED, 3040-C, GES, B-SIZE	1	JD8521
16	INSULATION, CERAMIC, 1X34X58, 6#	1	JD3181
*17-A	MTR, 7.5HP, 230/60/1,1725 RPM, TEFC, F2	1	JB3015
*17-B	MTR 7.5HP, 230-460/60/3, 1725 RPM, TEFC, F2	1	JB3016
*17-C	MTR, 7.5HP, 575/60/3, 1725 RPM, TEFC, F2	1	JB3017
18	ASSY SEE FIG 1-5 TANK, FLOAT, ASSY, W/FITTINGS, 3040-C	1	JD8245-C
19	BAFFLE, TANK, FLOAT, REMOVABLE	1	JP3385-08
20	ADAPTER, EXPANDING, BRASS, 1/2MX1/2F	1	JD6224-04
21	NIPPLE, BRASS, 1/2NPTX3LONG	1	JD3094-02
22	ELBOW, FEMALE, BRASS, FORGED, 1/2NPT	1	JD 692-02
23	CONNECTOR, BRASS, 3/4 GARDEN HOSE X 1/2NPTM, SWIV	1	JD7142
24	WASHER, STRAINER, MESH, WIRE, BRASS, #30	2	JD 809
25	PULLEY, CI, DG, TH, 2BK47H, 3.7PDA, 4.1PDB	1	JD3904-05
26	BUSHING, PULLEY, TAPERED, 1-1/8"BORE	1	JD3915-04
27	CONNECTOR, RELIEF, STRAIN, 5/8-3/4, 3/4NPTM	1	JD1687-17
*28-A	WIRE, SO, CPE, BLACK, 8/3	2	JE 485
*28-B	WIRE, SO, CPE, BLACK, 10/4	1	JE 444
29	CONNECTOR, WIRE, CRIMP ON, 6-12GAUGE	3	JD3952-B
30	SENSOR, IGNITOR, W/MT-BRKT, & HARDWARE, 60"LD	1	JP7694-D
31	CLAMP, HOSE, NYLON, BLACK, .406/.468 DIA.	1	JD7859-A
32	ASSY SEE FIG. 20-2 SWITCH, PRESSURE, W/BRACKET, WELDED	1	JP7731
33	ASSY SEE FIG 1-3 MANIFOLD, FITTINGS, VALVE, 3040-C, ASSY, GES	1	JD8240
34	BELT, VEE, COG, BX40	2	JD3959-10
35	ASSY SEE FIG. 20-1 VALVE, SOLENOID, SOLUTION, 24V, 1/4NPT	1	JD2162-F
36	CLAMP, SLEEVE, PLASTIC, 3/8 I.D.	4	JD2759
37	HOSE, HYD, 3K, PSI, 31" L, 3/8NPTM, 90D-3/8 NPTM	1	JD7893
38	GUN, SCH 80, N/C, W/O SWIVEL, ASSY, 3/8"		JP4261-H
39	HOSE, RUBBER, GARDEN, 5/8"	1	JL 146
40	HOSE, COMBINATION, JENNY, 3/8 X 50'	1	JD7624
41	ASSY SEE FIG 1-1 PUMP, MOUNTING & FITTINGS, ASSY, 3040-C, GES, GEN	1	JD8305-B
	OIL,PUMP,SYNTHETIC,HIGH-PERFORMANCE,1 QT	1	JD7999-A
	OIL,PUMP,SYNTHETIC,HIGH-PERFORMANCE,1 PT	1	JD7999-B
42	ASSY SEE FIG 1-4 MANIFOLD, BURNER, INLET, ASSY, GES, LES	1	JP5927-J
*43-A	ASSY SEE FIG 1-2 BURNER, GAS, NATURAL, ASSY, 760, 760-C	1	JP5940-A
*43-A	ASSY SEE FIG 1-2 BURNER, GAS, LP, ASSY, 760-1000	1	JP5942-A
44	ASSY SEE FIG 1-6 BOX, JCT, PANEL, FRONT, 230-575/3PH, 30A, GAS	1	JE2005

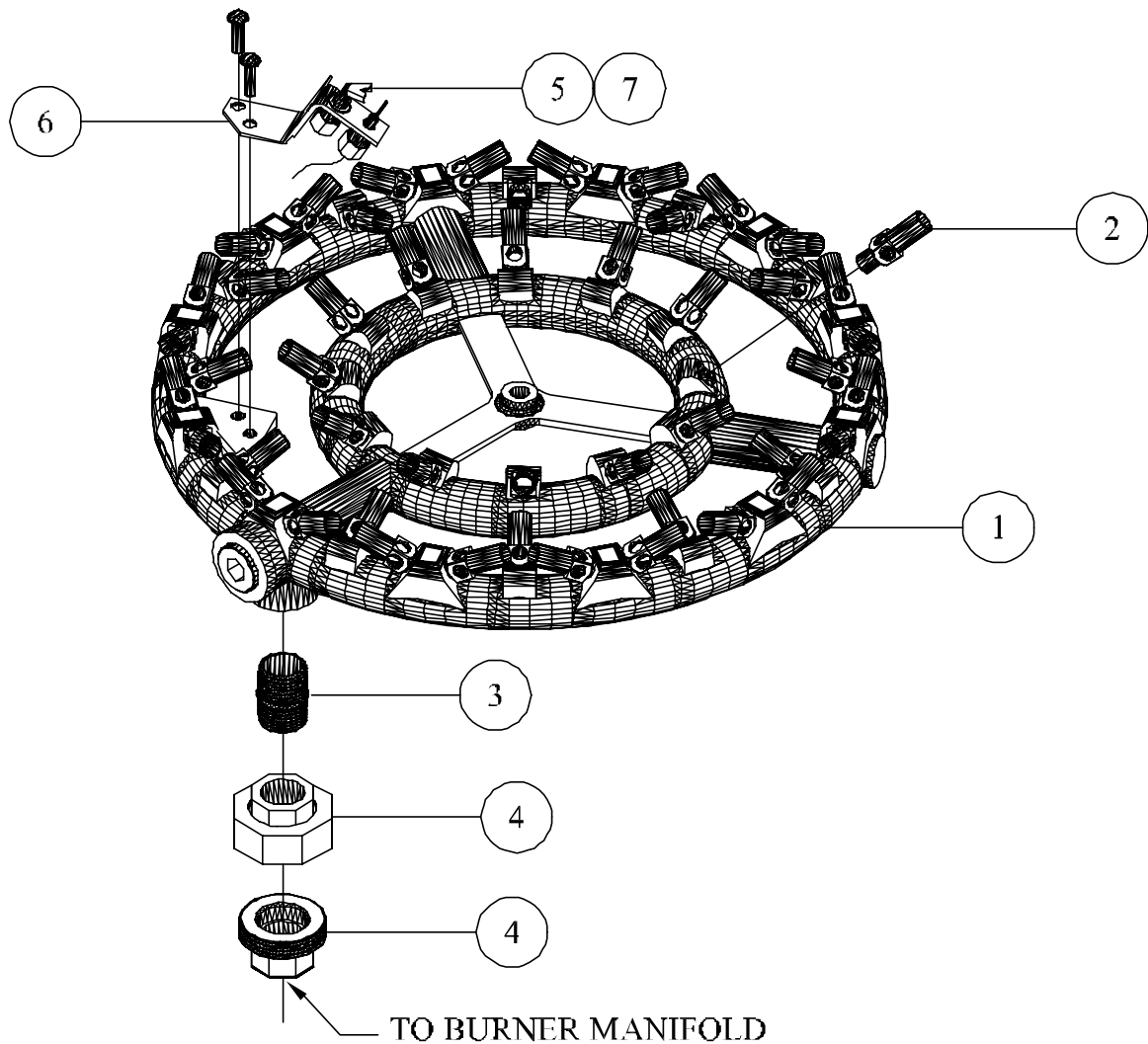
45	ASSY SEE FIG 1-9	PLATE, COVER, PANEL, CONT, BOX, COMB, GES	1	JD8514
46		HOSE, HYD, 3K PSI, 44" LONG, 3/8NPTM, 3/8NPTM	1	JD7874
47		NOZZLE, SPRAY, PSI, SS, QCK CON, 0 DEG, O#4.5	1	JD7755-01
48		NOZZLE, SPRAY, PSI, SS, QCK CON, 15 DEG, O#4.5	1	JD7756-01
49		NOZZLE, SPRAY, PSI, SS, QCK CON, 25 DEG, O#4.5	1	JD7757-01
50		NOZZLE, SPRAY, PSI, SS, QCK, CON, 40 DEG, O#4.5	1	JD7758-01
51	ASSY SEE FIG 1-8	COMBINATION, MACHINE, BYPASS, HOSE, FITTING, ASSY	1	
52		CLAMP, GEAR, WORM, SS, 7/32 TO 5/8 DIA.	2	JD3068
53		COIL, GAS, FIRED, 1/2"PIPE, SCH80	1	JP5909-B
54		TEE, FEMALE, STEEL, PLATED, 1/2NPT	1	JD3734-01
55		BUSHING, REDUCER, HEX, STEEL, PLATED, 1/2X3/8	2	JD2599
56		ELBOW, REDUCER, ST, PLTD, 90DEG, FEM, 1/2X3/8	1	JD7847
57		THERMOSTAT, IMMERSION, SP, ST, NC, 340 DEG F	1	JD7137-A
58		RING, CASING, COIL, SS, 18-7/8ODX9-15/16ID	1	JD3256
59		LUG, TERMINAL, COPPER, 3/16BOLT, 6-14GAUGE	1	JD6152
60		CLAMP, WIRE, IGNITION, STAND OFF	1	JD7001
61		GROMMET, RUBBER, BLACK, 5/8" I.D.	2	JD3385
62		GROMMET, RUBBER, BLACK, 7/16" I.D.	6	JD3385-01
63		CLAMP, CABLE, NYLON, 1/4"	2	JD1529
64		GROMMET, RUBBER, BLACK, 1-1/2" I.D.	3	JP 675
65		STRAINER, CHEMICAL, BRASS, 1/4"HOSEBARB	1	JD7140-A
66		TUBING, PVC, CLEAR, 3/8ODX1/4ID	7.1	JD3087
67		SCREW, FLANGE, HEX, SERR, ST, PL, 1/4-20X1/2	22	JD7904-A
68		BOLT, ELEVATOR, STEEL, PLTD, 3/8X2-1/2, 1"HD	2	JD7906-G
69		SCREW, SLF TAP, PHILLIPS, ST, PL, 8-32X3/8	12	JD3043
70		SCREW, FLANGE, HEX, SERR, ST, PL, 5/16-18X1/2	2	JD7905
71		SCREW, FLANGE, HEX, SERR, ST, PL, 3/8-16X3/4	34	JD7906-A
72		NUT, LOCK, FLANGE, HEX, SERR, ST, PL, 3/8-16	12	JD7774-F
73		SCREW, CAP, HEX HD, ST, PL, FLT, 3/8-16X2-1/4"	2	JD7035
74		NUT, LOCK, FLANGE, HEX, SERR, ST, PL, 1/4-20	8	JD7774-D
75		CLAMP, HOSE, NYLON, BLACK, .750/.875DIA	2	JD7859-F
76		SCREW, SLF DRL, PHILLIP, ST, PLTD, #8X1/2	4	JD6050
77		SCREW, SLF DRL, HEX WASHER, PLTD, #10x5/8	7	JD7074-A
78		SCREW, CARRIAGE, GR5, ST, PL, 3/8X6	2	JD7798
79		SCREW, CAP, HEX HD, ST, PL, 3/8-16X1-1/4"	1	JD 514
80		WASHER, LOCK, SPLIT, STEEL, PLATED, 3/8"	1	JD 613
81		RECEPTICAL, CLIP-ON, STEEL, DACROTIZED	10	JP7733-01
82		PLATE, NAME, ALUM, PRINT, BLACK, 4X4	1	JD3456
83		HOSE, SOLVENT, NEOPRENE, 1/2" ID	1.6	JD 946
84		TAG, WARNING, WATER TRAP, GAS FIRED UNIT	1	JD7207
85		TAG, WARNING, GAS PRESSURE	1	JD3097
86	ASSY SEE FIG 1-10	NOZZLE, STEAM, ASSY	1	
87		WASHER, FLAT, SS, 3/4 OD X 5/32 ID X 20 GAUGE	16	JP7720-03
88		SCREEN, COVER, MACHINE, ST, PAINTED	2	JP7720-01
89		RIVET, AL, .160-.164 HOLE, .063-.125GRP, 5/32	16	JP7720-02
90		CLAMP, HOSE, GEAR, WORM, SS, 9/16 TO 1-1/16 DIA	2	JD1229-A
91		TUBING, PVC, REINFORCED, 3/8" I.D.	2	JD7575
NOT SHOWN		TERMINAL, TONGUE, RING, 3/16HOLE, 18-22GAUGE	1	JD 928
NOT SHOWN		TERMINAL, TONGUE, FORK, #6HOLE, 14-18GAWIRE	2	JD2347
NOT SHOWN		WIRE, SJO, CPE, BLACK, 18/3	5	JE 436
NOT SHOWN		TERMINAL, CONNECT, QUICK, FEM, 0.250, 14/16GA	10	JD1576-01
NOT SHOWN		TERMINAL, CONNECT, QUICK, PIGGY, FEM, 14-16GA	2	JD1576-06
NOT SHOWN		DIVERTER, DRAFT, VERTICAL, 10"	1	JD3018
NOT SHOWN		DECAL, DANGER, WARNING, CAUTION, LARGE	1	JD7239
NOT SHOWN		DECAL, NOTICE, GROUND, 4MILTHK, 5YRWHITE	1	JD2344-01
NOT SHOWN		DECAL, NUMBER MODEL, GES 3040-C, BLUE LARGE	1	JD8471

NOT SHOWN	DECAL, PACKED, GROOMED, TESTED	1	JD6013
NOT SHOWN	DECAL, MADE-IN-THE-USA, JENNY	1	JD6211



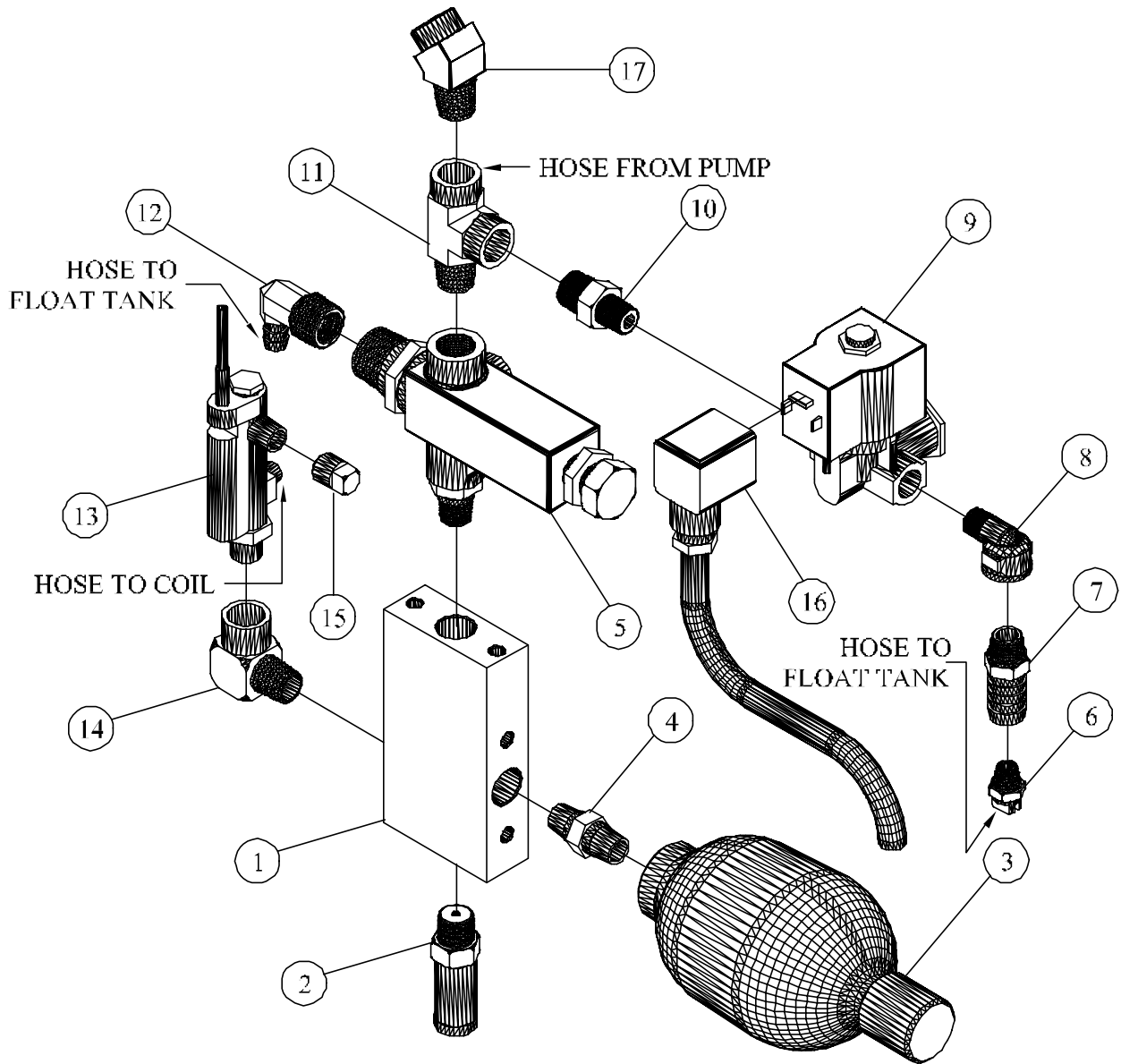
ITEM NO.	QTY.	DESCRIPTION	PART NO.
1	1	PUMP, PLUNGER, TRIPLEX, 3000PSI, 4.0GPM, GEN	JD7869
2	1	OIL, DIP, STICK, (RECEIVED W/PUMP)	
3	1	PULLEY, CI, SG, TH, 2BK57H, 4.7PDA, 5.1PDB	JD3904-61
4	1	BUSHING, PULLEY, TAPERED, 24MM BORE	JD3915
5	2	H.H.B. 1/4-20 UNC-3/4 CLASS 5 RECEIVED W/ BUSHING	
6	1	PLATE, MOUNTING, PUMP, STEEL, PAINTED, JB	JD8016
7	1	BARB, HOSE, MALE, BRASS, 1/2 HS X 1/2 NPT	JD7077-A
8	1	PLUG, SOCKET, HEX, BRASS, 3/8 NPT	JD7151
9	4	METRIC RECEIVED W/PUMP	
10	4	WASHER, LOCK, SPLIT, STEEL, PLATED, 3/8"	JD 613
11	1	BARB, HOSE, MALE, BRASS, 1/4 HS X 1/2 NPTM	JD7826

FIGURE 1-1 (Pump, Mounting, & Fitting, JD8305-B, 3040-C, Ass'y)



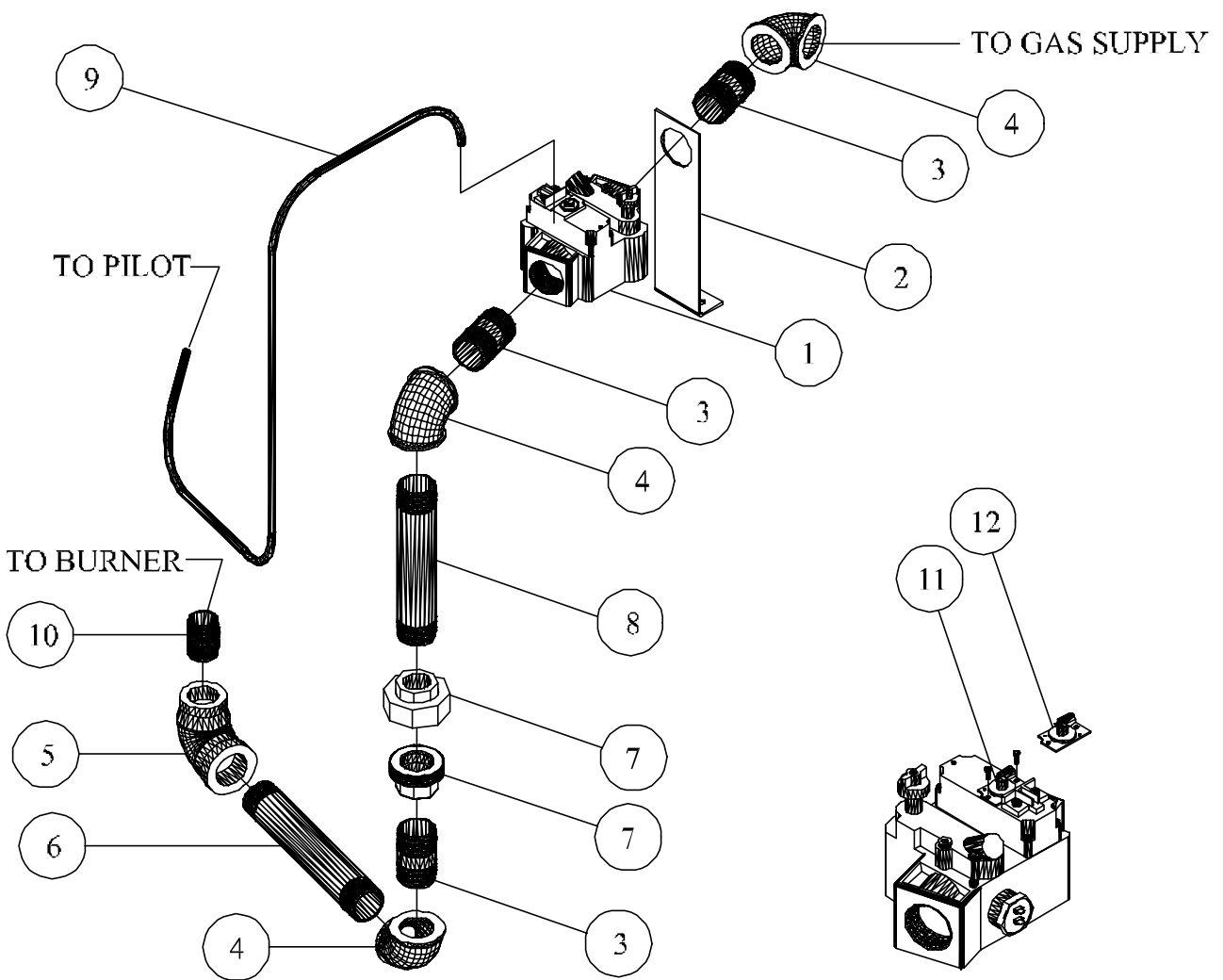
ITEM NO.	QTY.	DESCRIPTION	PART NO.
1-A	1	BURNER, NAT, #640 JETS, 0#52, X-44	JD3161
1-B	1	BURNER, LP, #640 JET, O#60,X-44, W/PILOT, L10	JD3264
2-A	44	JET, BURNER, GAS, NATURAL, BRZ, #52, .064	JD3082
2-B	44	JET, BURNER, GAS, LP, BRASS, #60, .040	JD3265
3	1	NIPPLE, CLOSE, STEEL, SCH40, 3/4"NPT	JD1181
4	1	UNION, FEMALE, MI, 50# BRASS SEAT, 3/4 NPT	JP 742
5-A	1	PILOT, BURNER, NAT, Q314B1019	JD2359-01
5-B	1	PILOT, BURNER, LP, Q314B1019-LP	JD2359-02
6	1	BRACKET, BURNER, PILOT, GES, LES	JD2359-05
7	1	SENSOR, IGNITOR, W/MT- BRKT & HARDWARE, 60"LD	JP7694-D

FIGURE 1-2 (Burner, Gas, (Nat), JP5940-A & (LP) JP5942-A, 3040-C, Ass'y)



ITEM NO.	QTY.	DESCRIPTION	PART NO.
1	1	MANIFOLD, FITTING, STEEL, PLATED, ALL. UNITS	JP7716
2	1	VALVE, RELIEF, 2400-3000 PSI, 160F, 3/8 NPTM	JD7048-A
3	1	ACCUMULATOR, BLADDER, 30004WP, 1500# CHARGE	JE7646-J
4	1	NIPPLE, HEX, STEEL, PLATED, 3/8NPT X 3/8NPT	JD3716-01
5	1	VALVE, UNLOADER, FLW ACT, 3-4000 PSI, 3.5-4.8	JD3324-V
6	1	NOZZLE, SPRAY, PSI, WASH, SS, 1/4MEG-25085	JD6144
7	1	BARB, HOSE, MALE, TAPPED 1/4, 5/8 HS X 3/8	JP6898
8	1	ELBOW, REDUCER, BRASS, STEEL, 90DEG, 3/8F X 1/4M	JD7825
9	1	VALVE, SOLENOID, BYPASS, 24V, 1/4NPT	JD3063-E
10	1	NIPPLE, HEX, STEEL, PLATED, 1/4NPTM X 3/8NPTM	JD 732-03
11	1	TEE, STREET, STEEL, PLATED, 3/8" NPT	JD 860-02
12	1	BARB, HOSE, ELBOW, MALE, BRASS, 3/8HS X 1/2NPT	JD7150-01
13	1	SWITCH, FLOW, SP, ST, NO, 20VA, 3/8NPTM	JD7279
		REPLACEMENT, REED, SWITCH, ASSY, W/47" LEADS	JD7279-01
14	1	ELBOW, STREET, STEEL, PLATED, 3/8NPT	JD3717-03
15	1	PLUG, SQUARE, BRASS, 1/4 NPT	JD 679-02
16	1	CONNECTOR, SOLENOID, RELIEF, STRAINER, DIN	JD7703
17	1	ELBOW, STREET, 45 DEG, STEEL, PLATED, 3/8NPT	JD1678

FIGURE 1-3 (Manifold, Valve, Fitting, JD8240-A, 3040-C, Ass'y )

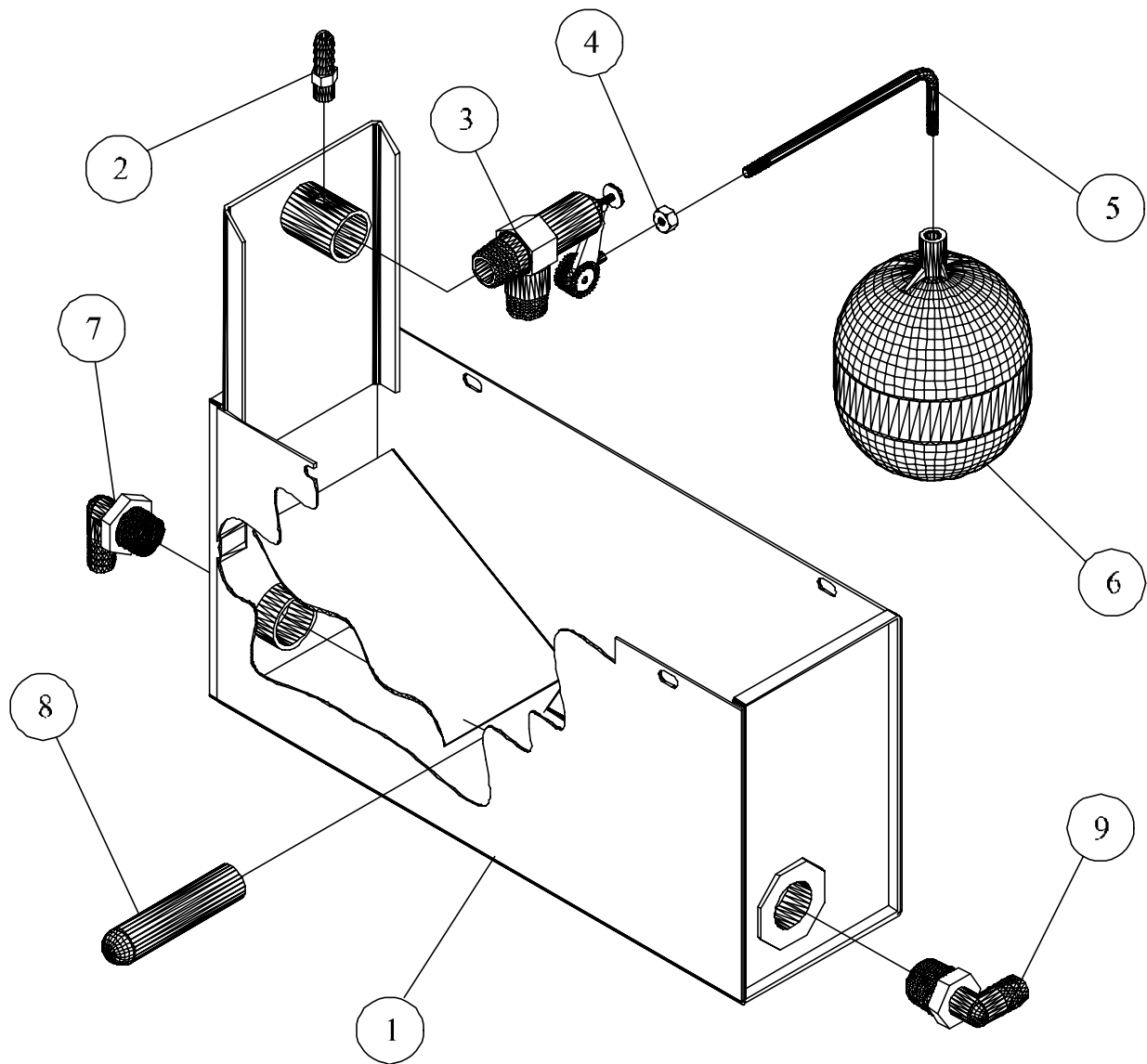


REGULATOR, CONVERSION, NATURAL GAS TO LIQUID PETROLEUM.

ITEM NO.	QTY.	DESCRIPTION	PART NO.
1	1	VALVE, COMBINATION, NAT, 24V, 1", ELECT-IGN	JD3845-J
2	1	BRACKET, MANIFOLD, PAINTED, GES	JP5928-03
3	3	NIPPLE, STEEL, SCH40, 1NPT, X 2" LONG	JD 884
4	3	ELBOW, FEMALE, MI, 150#, 1 NPT	JP2160-02
5	1	ELBOW, FEMALE, REDUCER, MI, 150# 1 X 3/4	JE 883
6	1	NIPPLE, STEEL, SCH40, 1 NPT" X 7"LONG	JD7875
7	1	UNION, FEMALE, MI, 150#, BRASS-IR SEAT, 1" NPT	JD7873
8	1	NIPPLE, STEEL, SCH40, 1" NPT X 6"LONG	JD1304-A
9	1	TUBING, ALUMINUM, 1/4 OD X .032 WALL	JD1820
10	1	NIPPLE, CLOSE, STEEL, SCH40, 3/4 NPT	JD1181
11	1	REGULATOR, CONVERSION, LP. TO NAT. ROBERT SHW	JD2366-C
12	1	REGULATOR, CONVERTER, NAT. TO LP. ROBERT SHW	JD2366-04

FIGURE 1-4 (Manifold, Burner, Inlet, JP5927-J, 3040-C, Ass'y)





ITEM NO.	QTY.	DESCRIPTION	PART NO.
1	1	TANK, FLOAT, SS, BOLT-ON-ASSY-JB	JD8015
2	1	BARB HOSE 1/4 HOSE X 1/8 NPT	JD6132
3	1	VALVE, FLOAT, BRASS, 60PSI, 1/2" NPTM	JD2988-B
4	1	NUT, HEX, STEEL, PLATED, 1/4-20	JD 791
5	1	ROD, FLOAT, BENT, BRASS, 1/4 X 5-5/8 LONG	JD1416-02
6	1	BALL, FLOAT, PLASTIC, BLACK	JD1416-01
7	1	ELBOW, BARB, HOSE, MALE, PLASTIC, 1/2HS X 3/4NPT	JD7058
8	1	STRAINER, WATER, SS, 30MESH, 47/64 O.D. X 3-1/8 LG	JD3843-B
9	2	ELBOW, HOSE, MALE, PLASTIC, 5/8HS X 3/4NPT	JD3663

FIGURE 1-5 (Tank, Float, Fitting, JD8245-C, 3040-C, Ass'y)

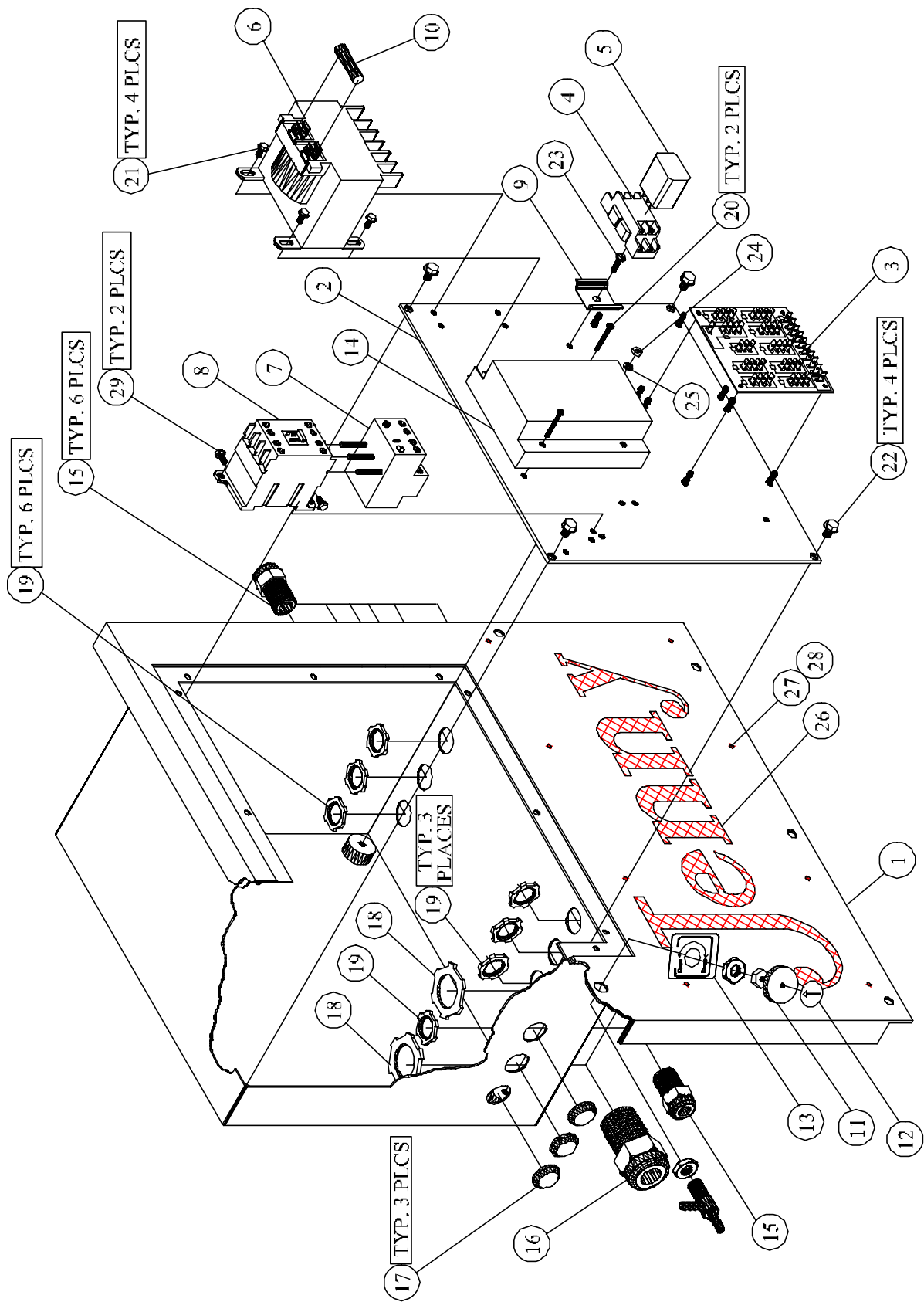
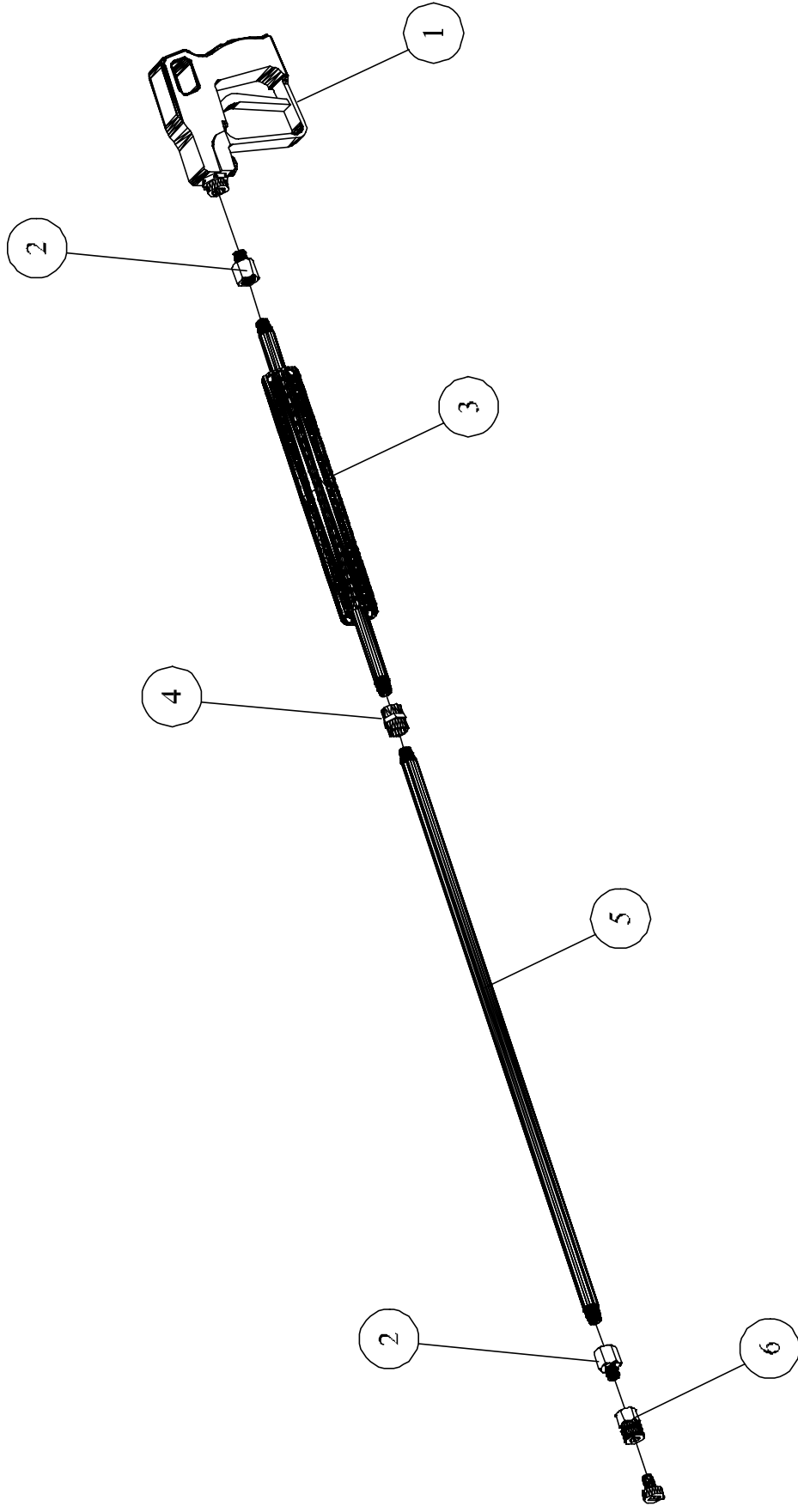


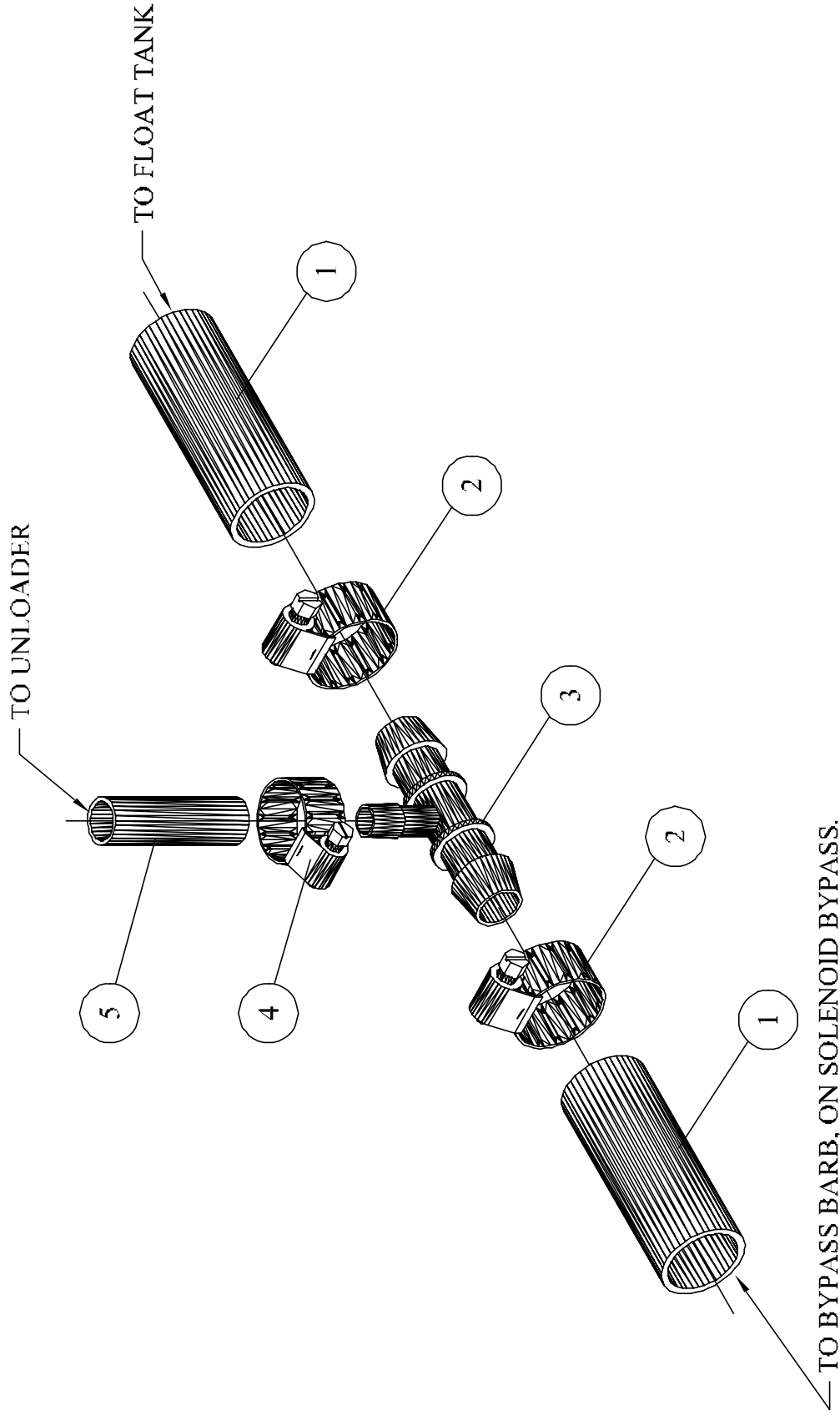
FIGURE I-6 (Box, Junction, Panel, Front, 208-575/3PH & 208-230/60/1PH & 208-575/60/3,30A Gas, 3040-C)

ITEM NO.	DESCRIPTION	QTY.	PART NO.
1	PANEL,CONTROL,BOX,JUNCTION,STL,PNTD,GES	1	JD8511
2	PLATE,MOUNTING,PANEL,CONT,BOX,JCT,ST,GES	1	JD8512
3	BOARD,CIRCUIT,PRINTED,ALL MACHINES	1	JB5000
4	BASE,RELAY,DP	1	JD7819-A
5	RELAY,DP,DT,24VAC	1	JD7819
6-A	TRNSFRMR,CTRL,OPN,100VA,120-460VP,24VS	1	JD2868
6-B	TRNSFRMR,CTRL,OPN,100VA,600VP,24VS FOR 575V	1	JD3987-13
7-A	RELAY,OVERLOAD,THERMAL,PLUG-IN,15-25 AMPS (230/3) (BEFORE 5-1-01)	1	JD7651-14
7-B	RELAY,OVERLOAD,THERMAL,PLUG-IN,32-50 AMPS (230/1) (BEFORE 5-1-01)	1	JD7651-16
7-C	RELAY,OVERLOAD,THERMAL,PLUG-IN,13-19 AMPS (460/3) (BEFORE 5-1-01)	1	JD7651-13
7-D	RELAY,OVERLOAD,THERMAL,PLUG-IN,7.5-11 AMPS (575/3) (BEFORE 5-1-01)	1	JD7651-11
7-E	RELAY,OVERLOAD,THERMAL,PLUG-IN,30-45A (AFTER 5-1-01)	1	JD7651-38
7-F	RELAY,OVERLOAD,THERMAL,PLUG-IN,16-24A (AFTER 5-1-01)	1	JD7651-35
7-G	RELAY,OVERLOAD,THERMAL,PLUG-IN,10-16A (AFTER 5-1-01)	1	JD7651-34
7-H	RELAY,OVERLOAD,THERMAL,PLUG-IN,6-10A (AFTER 5-1-01)	1	JD7651-33
8-A	CONTACTOR,DP,OP,3P,30A,24V,W/AUX CONTACT, (208-230-460-575/60/3PH) (BEFORE 5-1-01)	1	JD7651-B
8-B	CONTACTOR,DP,OP,3P,60A,24V(208-230/60/1PH) (BEFORE 5-1-01)	1	JD7800
8-C	CONTACTOR,DP,OP,3P,60A,24V,(CA7) (AFTER 5-1-01) 1PH	1	JD7851-Q
8-D	STARTER,DP,OP,3P,50A,24V,CA7-SERIES (AFTER 5-1-01) 3PH	1	JD7651-V
9	RAIL,DIN,STL,PLTD,TAIL,DOVE,1 3/8X5/16	0.16	JD7768-A
10	FUSE,ELEMENT,DUAL,DELAY,TIME,250V,6AMF	1	JD3107-11
11	VALVE,NEEDLE,SOLUTION,BRASS,1/4IDHS-BARB	1	JD6248-A
12	DECAL,INDICATOR,HANDLE,VAI	1	JD7143
13	DECAL,SOLUTION,METERING,VALVE	1	JD7821
14	CONTROL,IGNITION,UNIT,LOCKOUT,SP745	1	JP7694-A
15	CONNECTOR,RELIEF,STRAIN,1/4-3/8,1/2 NPTM	6	JD1687-06
16	CONNECTOR,RELIEF,STRAIN,5/8-3/4,3/4NPTM	2	JD1687-17
17	PLUG,HOLE,PLASTIC,BLACK,7/8	3	JD3856
18	NUT,LOCK,CONDUIT,STEEL,PLATED,3/4"	2	JD7728
19	NUT,LOCK,CONDUIT,STEEL,PLATED,1/2"	6	JP 809
20	SCREW,MACHINE,PHILLIP,ST,PL,8-32 X 1	2	JD 838
21	SCREW,FLANGE,HEX,SERR,ST,PL,8-32x3/8	4	JD7901-B
22	SCREW,FLANGE,HEX,SERR,ST,PL,1/4-20X3/8	4	JD7904
23	SCREW,SFL DRL,HEX WASHER,PLTD,#10x5/8	1	JD7074-A
24	NUT,HEX,STEEL,PLATED,10-32	1	JD 781
25	WASHER,LOCK,SPLIT,STEEL,PLATED,#10	1	JD 624
26	SCREEN,COVER,MACHINE,ST,PAINTED	1	JP7720-01
27	RIVET,AL,160-164 HOLE,.063-.125 GRP,5/32	8	JP7720-02
28	WASHER,FLAT,SS,3/4 O.D.X 5/32 I.D. X 20 GAUGE	8	JP7720-03
29	SCREW,FLANGE,HEX,SERR,STL,PLATED,8-32 X 5/8 L	2	JD7901-D



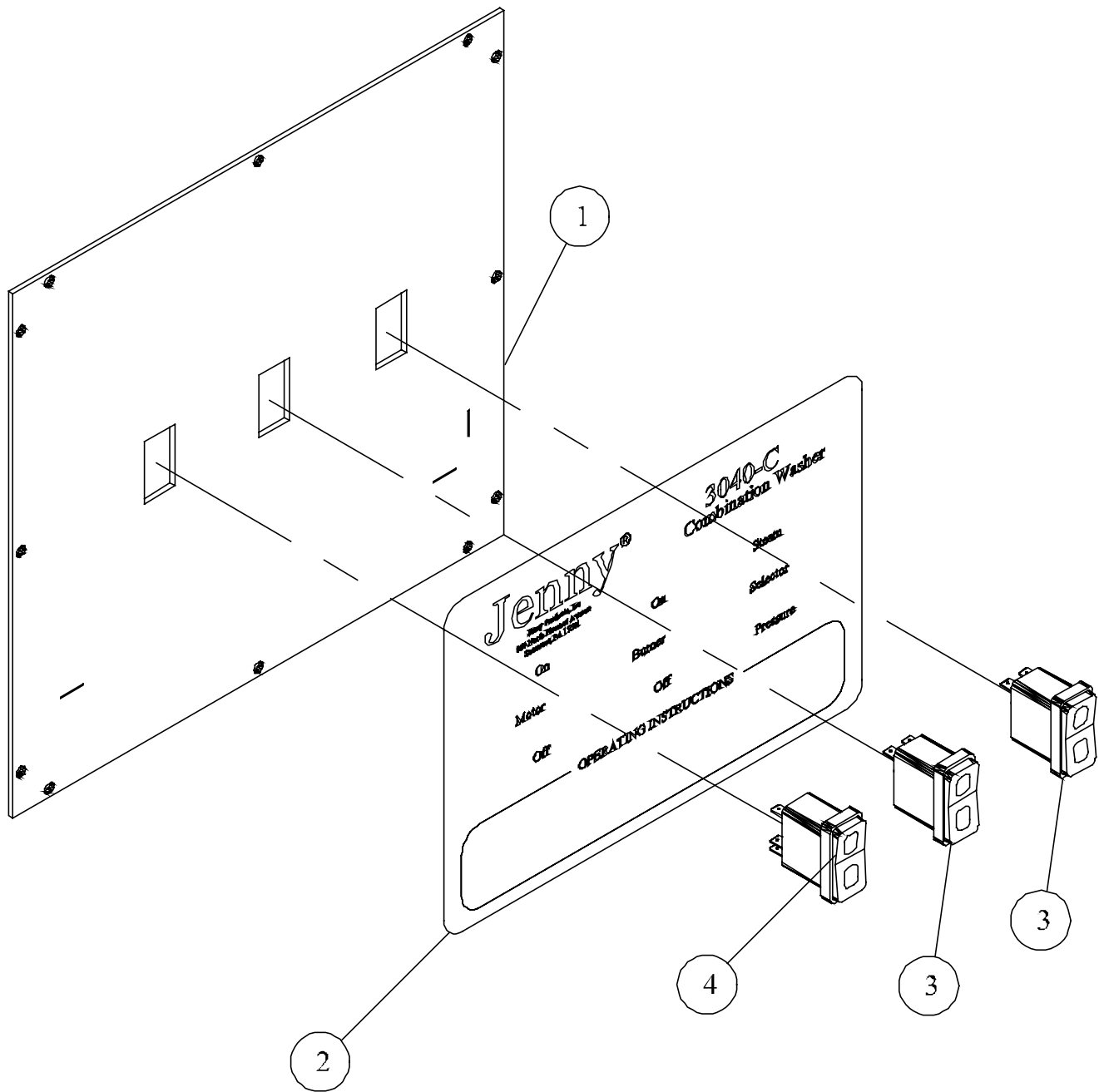
ITEM NO.	QTY.	DESCRIPTION	PART NO.
1	1	GUN, TRIGGER, 3000PSI, 8GPM, 320F	JD6068-B
2	2	ADAPTER, EXPANDING, STEEL, PLATED, 1/4M X 3/8F	JD6224
3	1	HANDLE, PERFORATED, SCH80, STEEL, ASSY, 3/8	JE 280-E
4	1	COUPLING, HEX, STEEL, PLATED, 3/8NPT X 3/8NPT	JD 907-04
5	1	NIPPLE, STEEL, SCH80, 3/8NPT X 28 LONG	JD 963
6	1	SOCKET, QUICK, COUPLING, BRASS, 1/4M X 3/8F	JD3102-02

FIGURE 1-7 (GUN, SCH80, N/C, W/O, SWIVEL, ASSY, 3/8", JP4261-H)



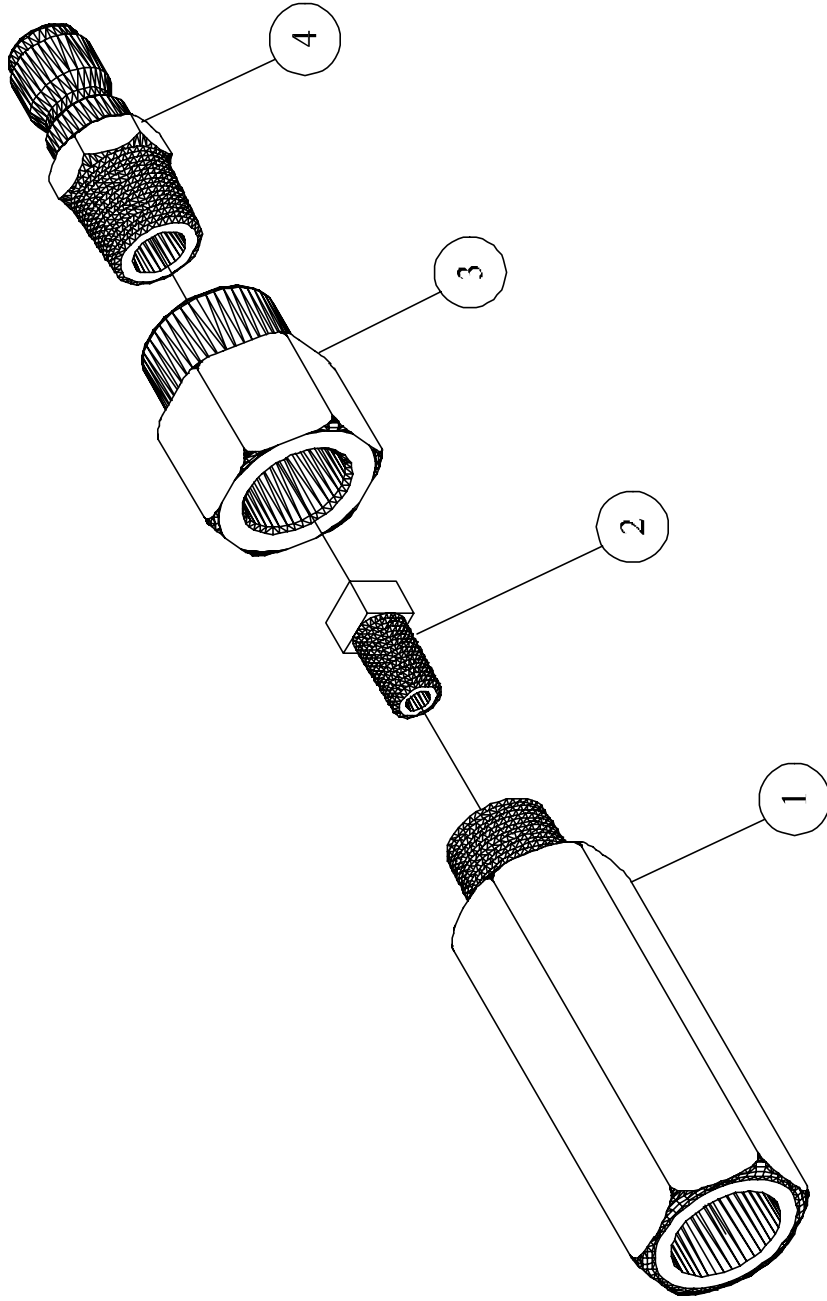
ITEM NO.	QTY.	DESCRIPTION	PART NO.
1	2.5'	HOSE, RUBBER, GARDEN, 5/8"	JL 146
2	2	CLAMP, HOSE, GEAR, WORM, SS, 9/16 TO 1-1/16 DIA	JD1229-A
3	1	TEE, BARB, PLASTIC, 3/8 X 5/8 X 5/8	JD7823
4	1	CLAMP, GEAR, WORM, SS, 7/32 TO 5/8 DIAMETER	JD3068
5	1.2'	TUBING, REINFORCED, PVC, 3/8 I.D.	JD7575

FIGURE 1-8 (COMBINATION, MACHINE, BYPASS, HOSE, FITTING, 3040-C, ASSY)



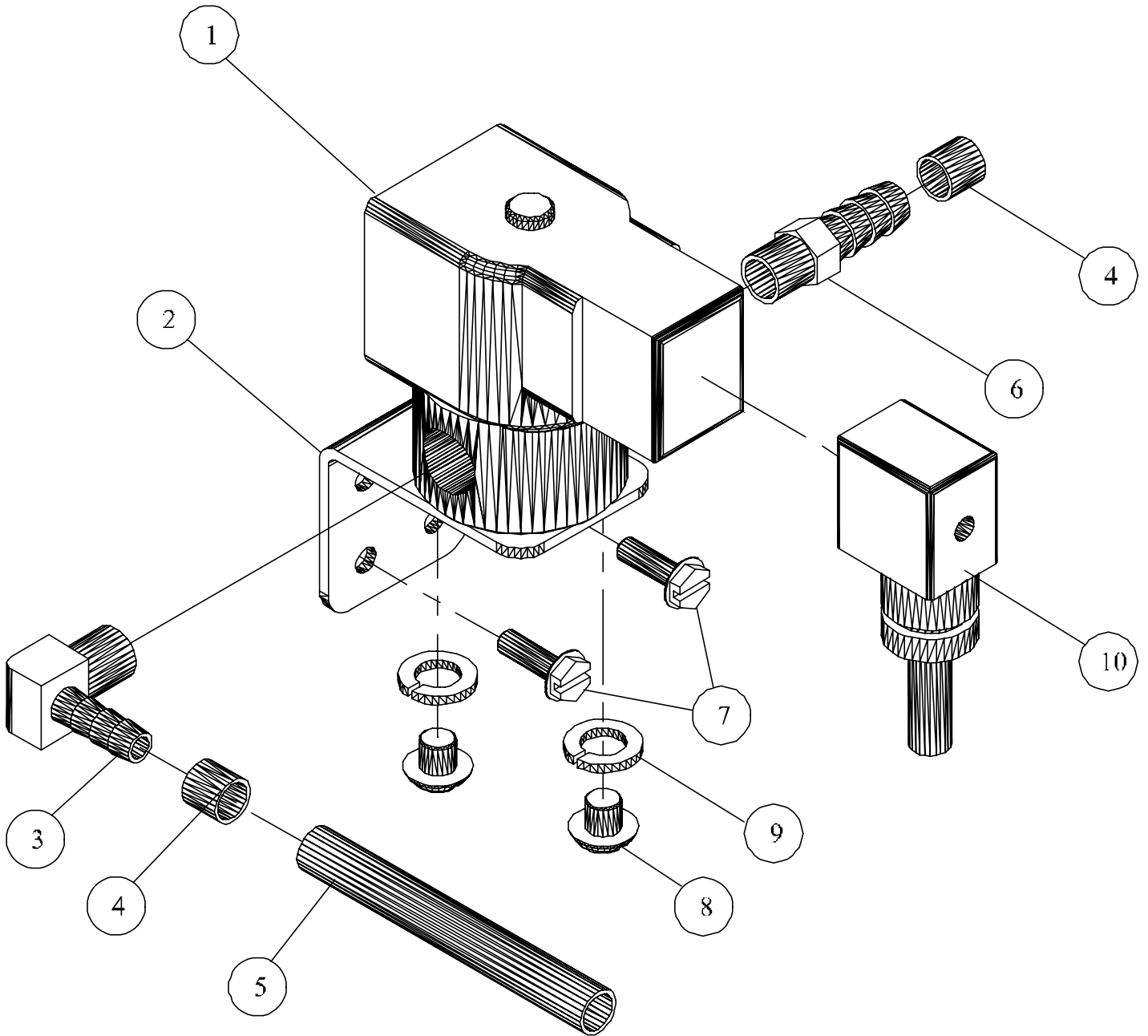
ITEM NO.	QTY.	DESCRIPTION	PART NO.
1	1	PLATE, COVER, PANEL, CONT, BOX, JUNC., CMB, GES	JD8514
2	1	DECAL, PANEL, INSTRUCTION, 3040-C, GES	JD8421
3	2	SWITCH, ROCKER, SP, ST, 10A, 24V, LED, LIGHT	JE1004
4	1	SWITCH, ROCKER, DP, DT, OFF-ON-MOM-10A, 24V	JE1006

FIGURE 1-9 (Panel, Instruction, JD8514, 3040-C, Ass'y)



ITEM NO.	QTY.	DESCRIPTION	PART NO.
1	1	NOZZLE, STEAM, 3/4 HEX, STEEL, PLATED, 3/8 X 3/8	JP3308-B
2	1	ORIFICE, STEAM, SS, #48	JP3175-10
3	1	COUPLING, HEX, BRASS, 3/8NPTF X 1/4 NPTF	ID 920-01
4	1	PLUG QUICK, COUPLING, BRASS, 1/4" NPTM	JD3104-04

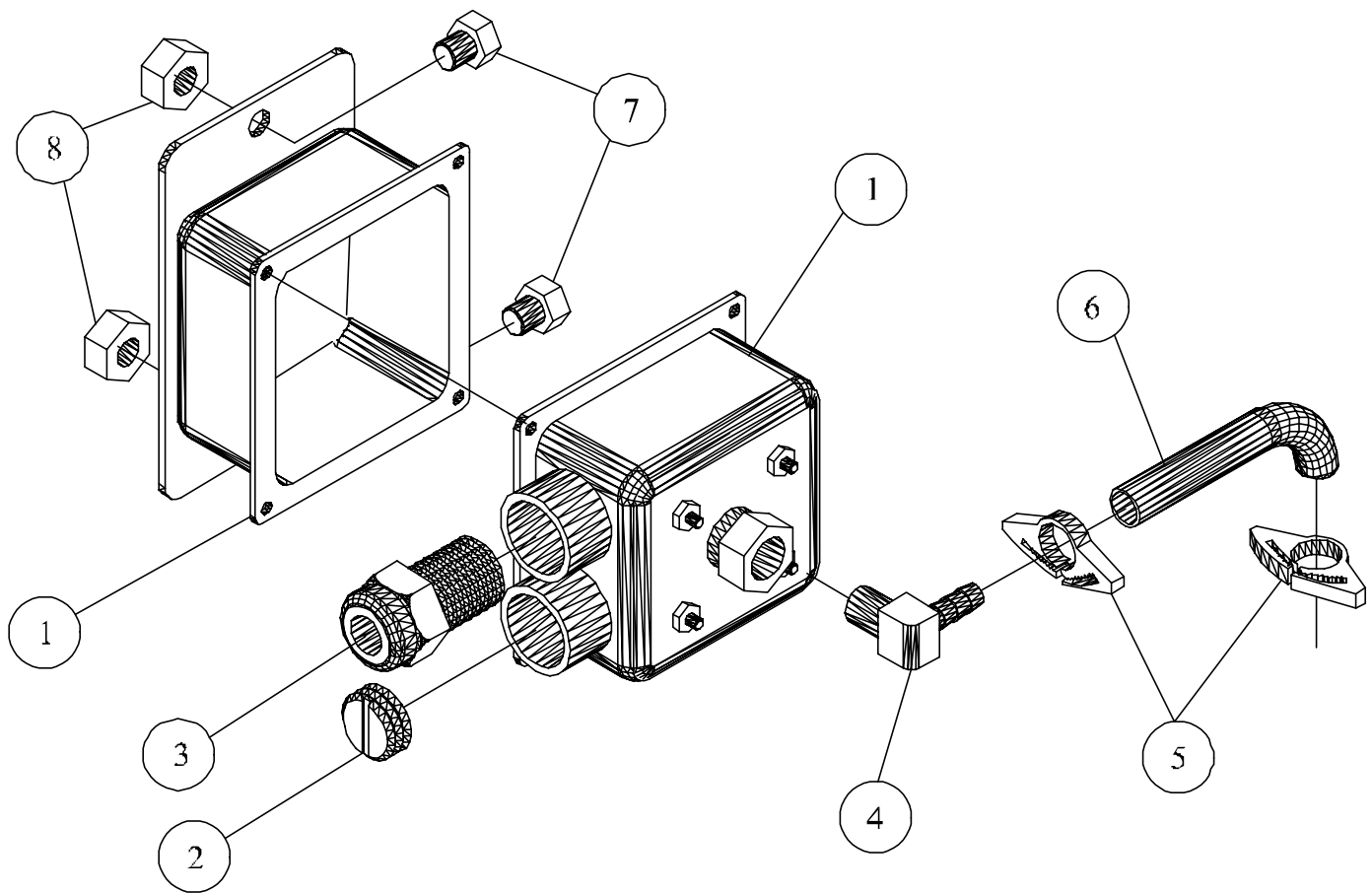
FIGURE 1-10(NOZZLE, STEAM, COMBINATION, FITTING, 3040-C, ASSY)



ITEM NO.	QTY.	DESCRIPTION	PART NO.
1	1	VALVE, SOLENOID, SOLUTION, 24V, 1/4NPT	JD2162-F
2	1	BRACKET, MOUNTING, SOLUTION, SOLENOID	JD7760
3	1	BARB, HOSE, ELBOW, MALE, BRASS, 1/4HS X 1/4 NPT	JD7078
4	2	CLAMP, SLEEVE, PLASTIC, 3/8 I.D.	JD2759
5	1	TUBING, PVC, CLEAR, 3/8 O.D. X 1/4 I.D.	JD3087
6	1	BARB HOSE 1/4 HS X 1/4 NPT	JD2765
7	2	SCREW, SLF, DRL, HEX WASHER, PLTD, #10 X 5/8	JD7074-A
8	2	SCREW, MACHINE, PHILLIPS, ST, PL, 10-32 X 3/8	JD3234
9	2	WASHER, LOCK, SPLIT, STEEL, PLATED, #10	JD624
10	1	CONNECTOR, SOLENOID, RELIEF, STRAIN, DIN	JD7703

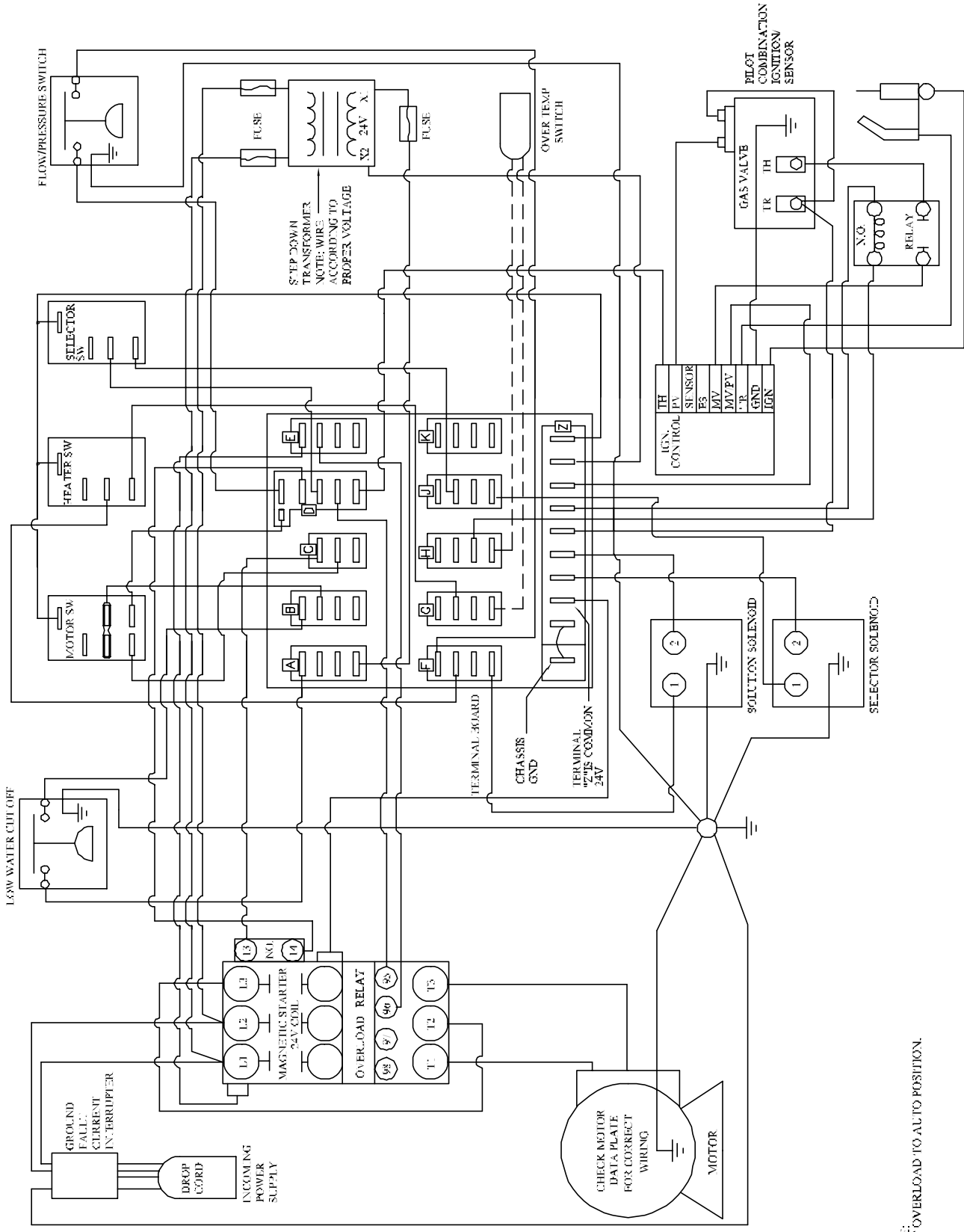
FIGURE 20-1 (VALVE, SOLUTION, SOLENOID, JD2162-F, ASSY)





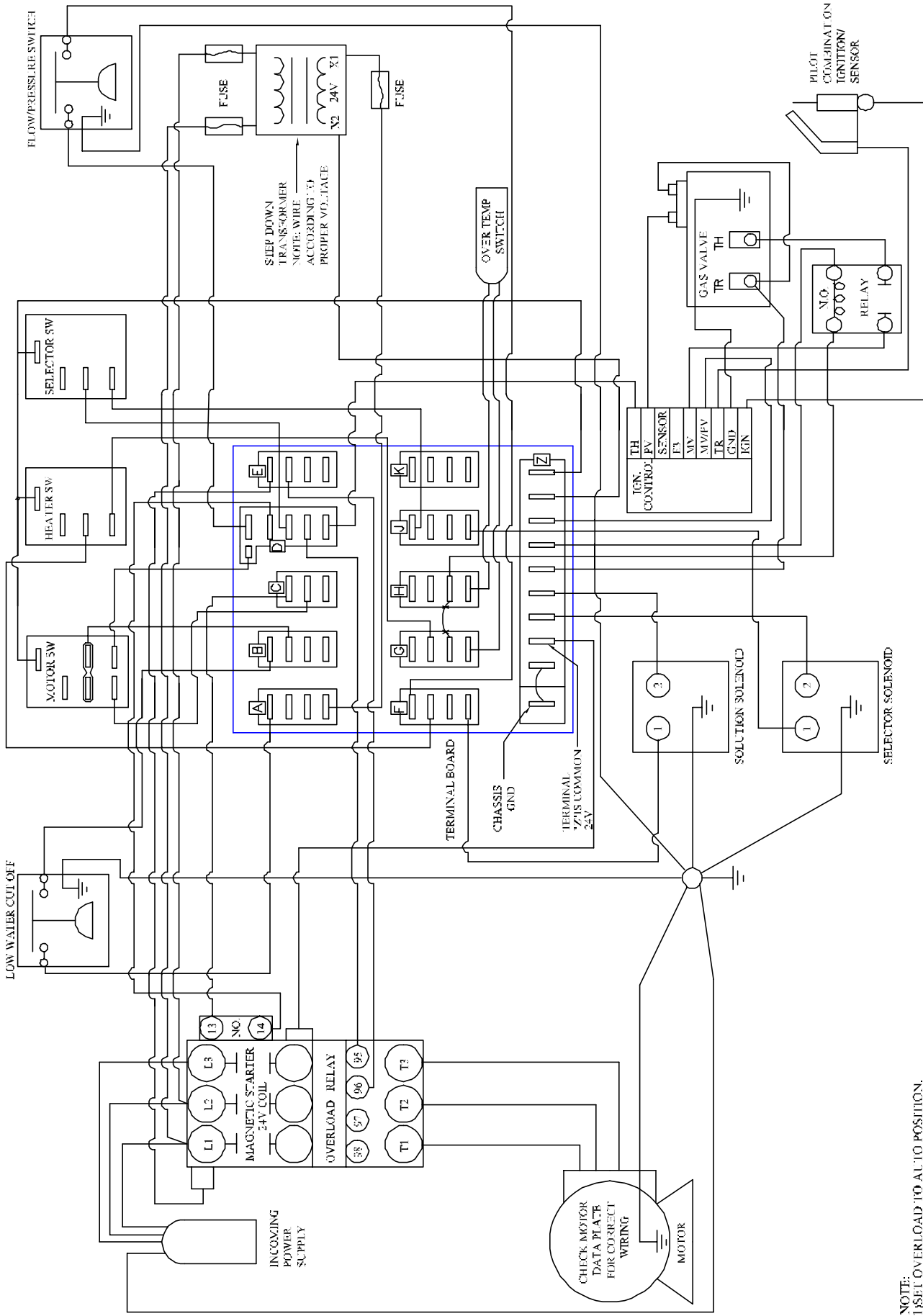
ITEM NO.	QTY.	DESCRIPTION	PART NO.
1	1	SWITCH, PRESSURE, W/BRACKET, WELDED ASSY	JP7731
2	1	PLUG, HOLE, BOX, JUNCTION, 1/2 NPS	JD7719
3	1	CONNECTOR, RELIEF, STRAIN, 1/4-3/8, 1/2NPM	JD1687-06
4	1	BARB, HOSE, ELBOW, MALE, BRASS, 1/4HS X 1/4NPT	JD7078
5	2	CLAMP, HOSE, NYLON, BLACK, .406/.468 DIA	JD-7859-A
6	1	TUBING, PVC, REINFORCED, 1/4ID	JD7850
7	2	SCREW, FLANGE, HEX, SERR,ST, PL, 1/4-20 X 1/2	JD7904-A
8	2	NUT, LOCK, FLANGE, HEX, SERR, ST, PL, 1/4-20	JD7774-D

FIGURE 20-2 (SWITCH, PRESSURE, W/BRACKET, WELDED, JD7731, ASS'Y)



NOTE: 1)SET OVERLOAD TO AUTO POSITION.

File Name: lw 303 Gas, Fired, Combination, W/Atom, On, 230/1Ph.  
(Electrical Schematic Diagram)



NOTE:  
 1-SET OVERLOAD TO A.U.10 POSITION.  
 2-REMOVE JUMPER IF OVER TEMP IS USED.

File Name: Jw 305 Gas, Fired, Combination, W/Mon. On, 3 Ph  
 (Electrical Schematic Diagram)