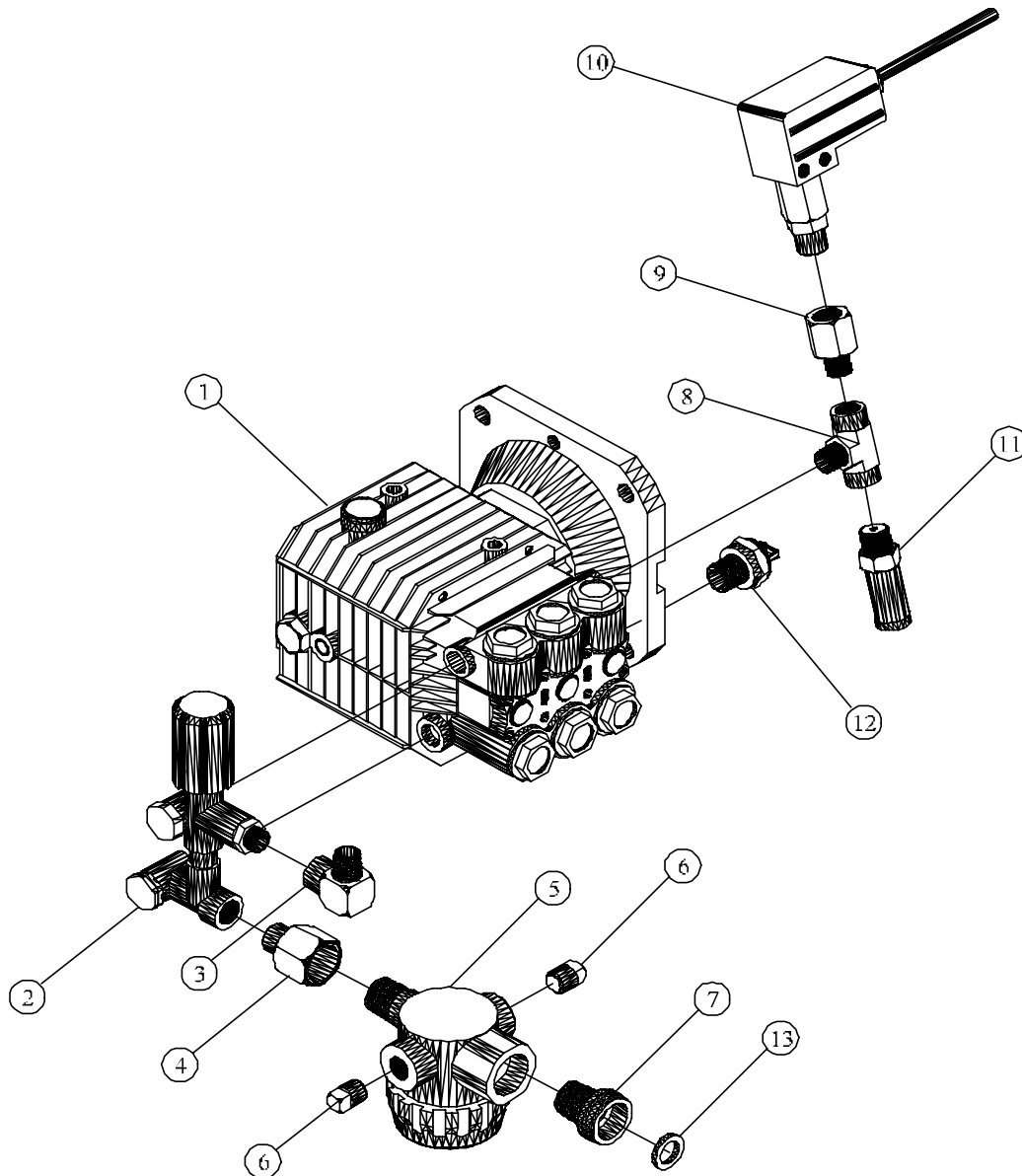


JENNY PRODUCTS INC.
 Elhw1021, Oep.115V/60HZ/1Ph,N/C

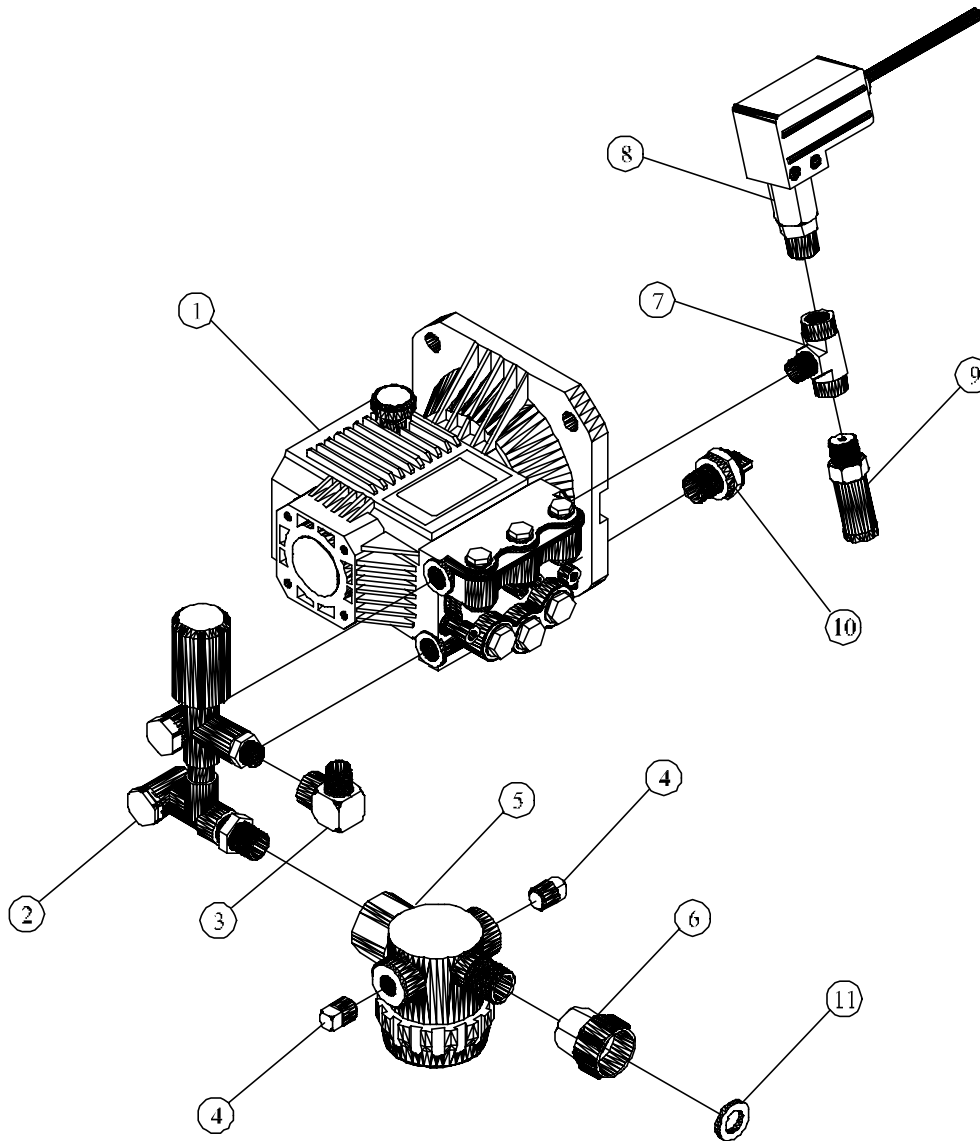
ELHW1021, OEP, 115V/60HZ/1PH, N/C, GEN			
Notes: Figure 20- (Common Parts)		PARTS LIST	
Electrical Dia. Files Jw 400			
ITEM NO.	DESCRIPTION	QTY.	PART NO.
1	CHASSIS, CAGE, ROLL, ELECTRIC, ELHW	1	JD7925
2	AXLE, CHASSIS, STEEL, PLATED, 3/4"X27.75L	2	JD7927
3	BRAKE, WHEEL, STEEL, PAINTED, LARGE, CPW	1	JD7775-H
4	COLLAR, BRAKE, WHEEL, STEEL, PLATED, HPJ	2	JD7775-I
5	SCREEN, COVER, MACHINE, ST, PAINTED	1	JP7720-01
6	WASHER, FLAT, SS, 7/8ODX5/32IDX20GAUGE	8	JP7720-03
7	RIVET, AL, .160-.164HOLE, .063-.125GRP, 5/32	8	JP7720-02
8	CASING, COIL, BOLT-ON, STL, PNTD, SMALL, ELHW	1	JD7923
9	DISC, INSULATION, CERAMIC, 14-3/8ODX4-1/8X3/8	1	JD7238-A
10	STRAP, RETAINING, VELCRO, CONTAINER, SOLUTION	1	JD7288
11	SCREW, FLANGE, HEX, SERR, ST, PL, 1/4-20X1/2	2	JD7904-A
12	NUT, LOCK, FLANGE, HEX, SERR, ST, PL, 1/4-20	2	JD7774-D
13	NUT, LOCK, FLANGE, HEX, SERR, ST, PL, #8-32	7	JD7774-A
14	SCREW, FLANGE, HEX, SERR, ST, PL, 8-32x1/2	3	JD7901-C
15	WASHER, FLAT, STEEL, PLATED, #8	4	JD 610-02
16	SCREW, FLANGE, HEX, SERR, ST, PL, 5/16-18X1/2	8	JD7905
17	COIL, OIL, FIRED, 3/8"PIPE, SCH40	1	JP6379
18-A ASSY SEE FIG 1-3	BURNER, GUN, FIRED, OIL, 115VOLT	1	JD7634
18-B ASSY SEE FIG 1-3	BURNER, GUN, FIRED, OIL, 230VOLT	1	JD7635
19	NUT, FLARE, BRASS, 1/4-45SAE	1	JD 661
20	TUBING, COPPER, 1/4ODX.03WALL	0.25	JD1720
21	RING, CASING, COIL, SS, 5-15/16ID	1	JP4813-A
22	RING, FLAT, CASING, COIL, SS	1	JP 574-A
23	SCREW, SLF DRL, HEX WASHER, PLTD, #10x5/8	3	JD7074-A
24	WHEEL, PNEUMATIC, 10"ODX3/4"ID, BALL BEARING	4	JP2643-F
25	COLLAR, SCREW, SET, STEEL, PLATED, 3/4"ID	4	JD7777
26	NUT, LOCK, CONDUIT, STEEL, PLATED, 1/2"	1	JP 809
27	MOTOR, 1.5HP, 115-230/1, 1725RPM, TEFC, F2, CF	1	JB3006-C
28	WIRE, SJO, CPE, BLACK, 18/4	5	JE 440
29	WIRE, SJO, CPE, BLACK, 12/3	3	JE 432
30	SCREW, FLANGE, HEX, SERR, ST, PL, 5/16-18X3/4	4	JD7905-B
31	NUT, LOCK, FLANGE, HEX, SERR, ST, PL, 5/16-18	4	JD7774-E
32	INJECTOR, CHEMICAL, FIXED, 2-3GPM, 3/8NPTMxF	1	JD7861
33-A ASSY SEE FIG 1-1A	PUMP, PLUNGER, TRIPLEX, 1500PSI, 2.11GPM	1	JD7813
33-B ASSY SEE FIG 1-1B	PUMP, PLUNGER, TRIPLEX, 1800PSI, 2.1GPM, AR	1	JD7493
34	CONNECTOR, FEMALE, BRASS, 1/4-45SAEX1/8NPT	1	JD7264
35	STRAINER, CHEMICAL, BRASS, 1/4"HOSEBARB	1	JD7140-A
36	SWIVEL, FLARE, BARB, HOSE, BR, 1/4HSX1/4-45	2	JD3590
37	HOSE, AIR, FUEL, 300PSI, 212F, 1/4", BLUE	7.25	JE 490
38	TUBING, PVC, CLEAR, 3/8ODX1/4ID	9	JD3087
39	CLAMP, SLEEVE, PLASTIC, 3/8ID	4	JD2759
40	SCREW, FLANGE, HEX, SERR, ST, PL, 8-32x3/8	4	JD7901-B
41	SWITCH, CAM, ROTARY, SP, W/ENCLOSURE, 2PH, 3HP	1	JD7961
42	BRACKET, SWITCH, CAM, ROTARY, ELHW	1	JD7926
43	SCREW, MACHINE, PHILLIP, ST, PL, 8-32X3/4	2	JD1000
44	TEE, STREET, STEEL, PLATED, 3/8"NPT	1	JD 860-02
45	HOSE, HYD, 3K PSI, 31.5"L3/8NPTM, 3/8NPTF	1	JD7818-B
46	GROMMET, RUBBER, BLACK, 5/8"ID.	8	JD3385
47-A	CORD, DROP, GFCI, 120V, 20A, 40FT	1	JD7179-B
47-B	CORD, DROP, GFCI, 240V, 15A, 40FT	1	JD7179-D
48	CONNECTOR, RELIEF, STRAIN, 1/4-3/8, 1/2NPTM	6	JD1687-06
49	TAG, WARNING, ELECTRIC CORD	1	JD7075
50 ASSY SEE FIG 1-2	TANK, FUEL, DIESEL, YELLOW, 5 GALLON	2	JD7965
51	FILTER, OIL, FUEL, IN-LINE	1	JD7227
52	NUT, FLARE, INVERTED, BRASS, 1/4TUBEX1/2-2C	1	JD7226

53	ELBOW, MALE, BRASS, 1/4-45SAEX1/4NPT	1	JD 652
54	GUN, TRIGGER, 2200PSI, 6GPM, 212F	1	JD7154
55	HOSE, WASH, PRESSURE, 3000PSI, 250F, 3/8X50FT	1	JD7790-A
56	SOCKET, QUICK COUPLING, BRASS, 3/8"NPTF	1	JD3102-05
57	PLUG, QUICK COUPLING, BRASS, 3/8"NPTF	1	JD3103-05
58	TAG, TESTED, FUEL	1	JD7196-01
59	DECAL, NOTICE, GROUND, 4MILTHK, 5YRWHITE	1	JD2344-01
60	SCREW, SLF TAP, HEX WASHER, PLTD, 10-32X1/2	1	JD6219
61	DECAL, CLEAR, MYLAR	1	JD6251-08
62	DECAL, NAMEPLATE, OIL FIRED	1	JD6251-05
63	SOCKET, QUICK COUPLING, BRASS, 1/4"NPTF	1	JD3102-02
64	NOZZLE, SPRAY, PSI, SS, QCK CON, 0 DEG, O#4.0	1	JD7755
65	NOZZLE, SPRAY, PSI, SS, QCK CON, 15DEG, O#4.C	1	JD7756
66	NOZZLE, SPRAY, PSI, SS, QCK CON, 25DEG, O#4.C	1	JD7757
67	NOZZLE, SPRAY, PSI, SS, QCK CON, 25DEG, O#4.C	1	JD7758
68	NOZZLE, SPRAY, SOAP, BR, QCK CON, 25DEG, O#40	1	JD7759
69	DECAL, PANEL, INSTRUCTION, ELHW1021-OEP	1	JD7930
70	GROMMET, RUBBER, BLACK, 7/16" I.D.	5	JD3385-01
71	VALVE, NEEDLE, SOLUTION, BRASS, 1/4IDHS-BARB	1	JD6248-A
72	INSULATION, CERAMIC, 1.5X21X43, 8#-DENSITY	4	JP3947-B
73	SCREW, CAP, HEX HD, ST, PL, 5/16-18X3/4'	2	JD 556
74	WASHER, LOCK, SPLIT, STEEL, PLATED, 5/16'	2	JD 612
75	GROMMET, RUBBER, BLACK, 1-1/2, I.D.	1	JP 675
76	PLUG, FUSIBLE, ASSY, 240 DEGREE F, HPW	2	JP3921-F
77	CONNECTOR, MALE, BRASS, 1/4-45SAEX1/4NPT	1	JD 659
78	ELBOW, FEMALE, STEEL, PLATED, 3/8"NPT	1	JD 691
79	CLAMP, CABLE, NYLON, 7/8'	3	JD2158
80	CLAMP, CABLE, NYLON, #10SCREW, 5/8"	4	JD1520
81	DECAL, INDICATOR, HANDLE, VALVE, SOLUTION	1	JD7143
82	LANCE, INSULATED, STEEL, ZINC-PLATED, 1/4X36	1	JP7080-O
83	NOZZLE, BURNER, OIL, 1.25GPH, 80 DEG, S.C.	1	JB1515
84	CLAMP, GEAR, WORM, SS, 7/16 TO 25/32" DIA.	2	JD3068
85	SPLICER, HOSE, BRASS, BARB, 1/4'	1	JD7849
86	WASHER,STEEL,3/4ID,SAE	4	JP2036-03



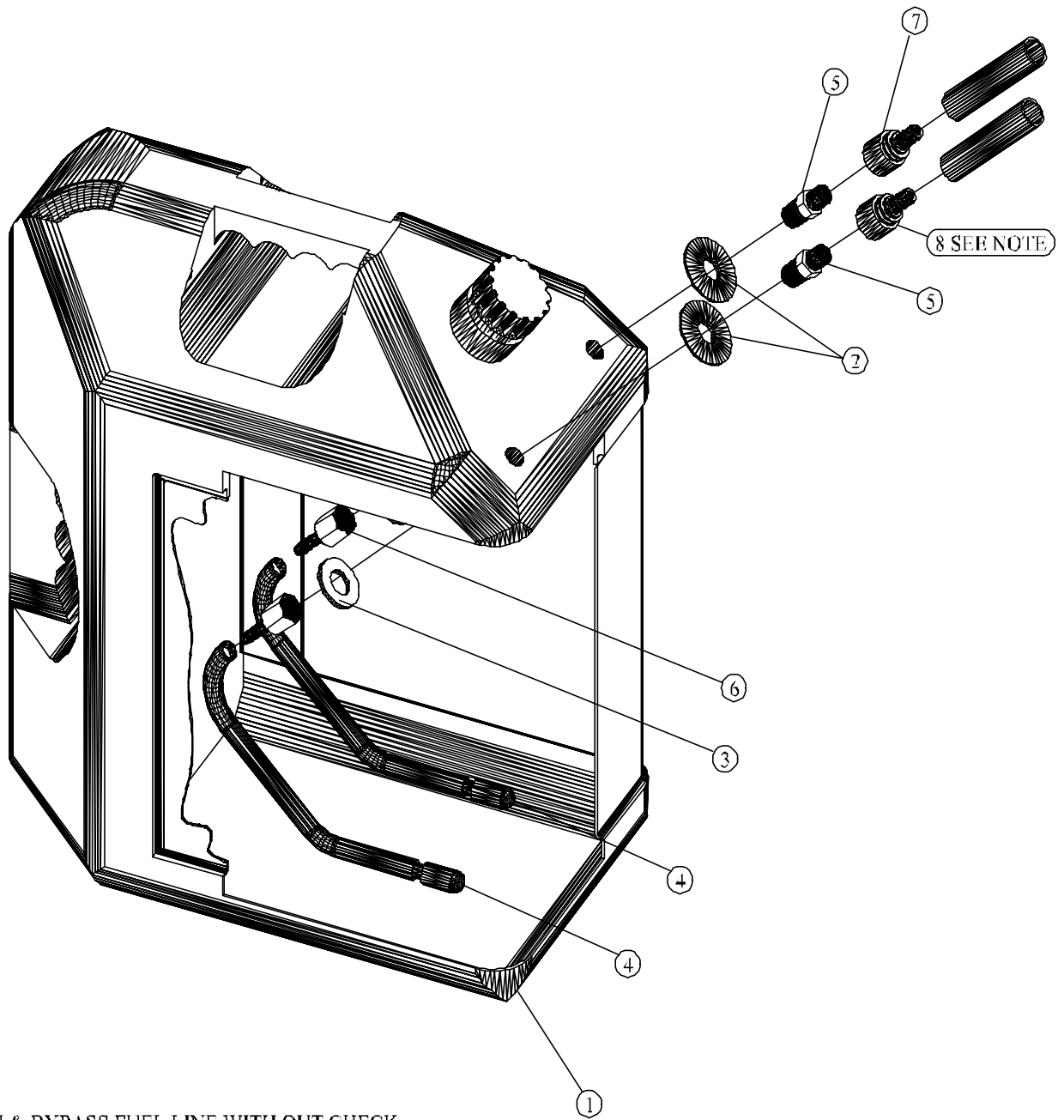
ITEM NO.	QTY.	DESCRIPTION	PART NO.
1	1	PUMP,PLUNGER,TRIPLEX,1500PSI,2.11GPM	JD7813
2	1	VALVE,UNLOADER,PUMP-MOUNT,W/O INJ.,GEN	JD7805-B
3	1	ELBOW,STREET,STEEL,PLATED,3/8NPT	JD3717-03
4	1	ADAPTER,EXPANDING,BRASS,3/8NPTMX1/2NPTF	JD6224-06
5	1	STRAINER,WATER,IN-LINE,ALUMINUM,1/2"NPT	JD7782
6	2	PLUG,HEAD,SQUARE,BRASS,1/4NPT	JD 679-02
7	1	CONNECTOR,BR,3/4GARDEN HOSEX1/2NPTM,SWIV	JD7142
8	1	TEE,BRANCH,MALE,STEEL,PLATED,1/4NPT	JD7858
9	1	ADAPTER,EXPANDING,STEEL,PLATED,1/4MX3/8F	JD6224
10	1	SWITCH,PSI,SP,ST,NO,15A,230V,3/8NPT	JD3977
11	1	VALVE,RELIEF,0-1200PSI,160F,1/4NPTM	JD7048-E
12	1	VALVE,REIEF,THERMAL,145°F,3/8"NPTM	JD6162-B
13	1	WASHER,RUBBER,HOSE,GARDEN,W/O SCREEN	JD 809-01

FIGURE 1-1A (PUMP, GEN., FITTING, ELHW1021,OEP, ASS'Y)



ITEM NO.	QTY.	DESCRIPTION	PART NO.
1	1	PUMP,PLUNGER,TRIPLEX,1800PSI,2.1GPM,AR	JD7493
2	1	VALVE,UNLOADER,PUMP-MOUNT,W/O INJ.,AR	JD7493-B
3	1	ELBOW,STREET,STEEL,PLATED,3/8NPT	JD3717-03
4	2	PLUG,HEAD,SQUARE,BRASS,1/4NPT	JD 679-02
5	1	STRAINER,WATER,IN-LINE,ALUMINUM,1/2"NPT	JD7782
6	1	CONNECTOR,BRASS,3/4-GARDEN HOSEX1/2NPTF	JD7142-C
7	1	TEE,BRANCH,MALE,STEEL,PLATED,3/8NPT	JD7866
8	1	SWITCH,PSI,SP,ST,NO,15A,230V,3/8NPT	JD3977
9	1	VALVE,RELIEF,0-1200PSI,160F,3/8NPTM	JD7048-D
10	1	VALVE,RELIEF,THERMAL,145F,1/2"NPTM	JD6162-A
11	1	WASHER,RUBBER,HOSE,GARDEN,W/O SCREEN	JD 809-01

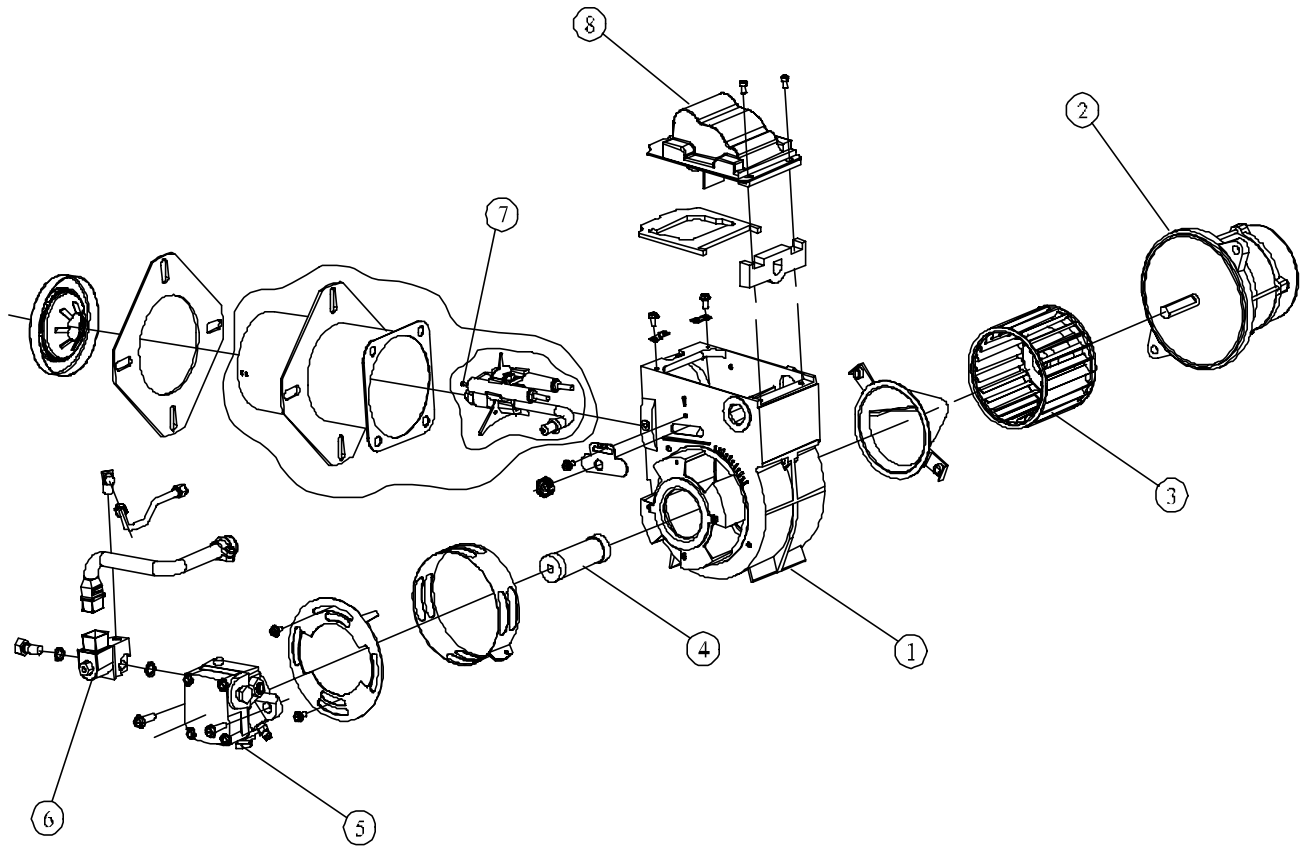
FIGURE 1-1B (PUMP, AR., FITTING, ELHW1021,OEP, ASS'Y)



NOTE:
1) RETURN & BYPASS FUEL LINE WITH OUT CHECK.

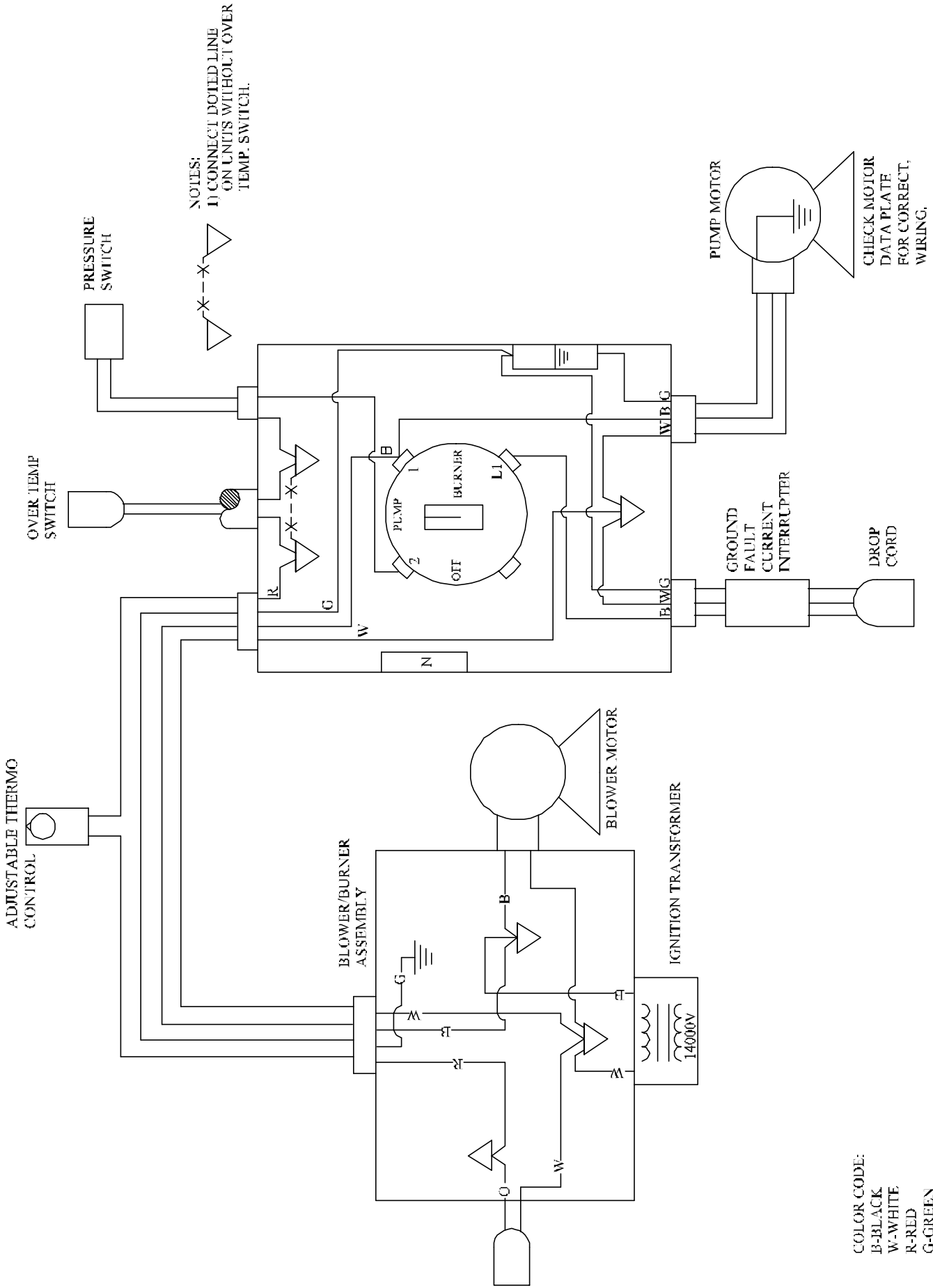
ITEM NO.	QTY.	DESCRIPTION	PART NO.
1	1	TANK,FUEL,DIESEL,YELLOW,5 GALLON	JD7965
2	2	WASHER,BONDED,SEALER,MECH/GALV,1/2" X 1"	JD7909
3	2	WASHER,FLAT,STEEL,PLATED,9/16	JD1492
4	2	STRAINER,FUEL,BRASS,W/SCREEN&TUBING	JD7140-B
5	2	PLUG,QUICK COUPLING,BRASS,1/4"NPTM,GAS	JD7778-A
6	2	BARB,HOSE,FEMALE,BRASS,1/4HSX1/4NPTF	JD7828
7	1	SOCKET,QUICK COUPLING,BRASS,1/4"HOSE,GAS	JD7778
8	1	SOCKET,QUICK COUPLING,BR,1/4"HS,W/O-CHK	JD7778-B

FIGURE 1-2(TANK, FUEL, DIESEL, YELLOW, 5 GAL., JD7956-A, ASS'Y)



ITEM NO.	QTY.	DESCRIPTION	PART NO.
1-A	1	BURNER, GUN, FIRED, OIL, 115 VOLT ASSY	JD7634
1-B	1	BURNER, GUN, FIRED, OIL, 230 VOLT ASSY	JD7635
2-A	1	MOTOR, 1/7HP, 115V, 3450 RPM, BECKETT	JD7634-01
2-B	1	MOTOR, 1/7HP, 220V, 3450 RPM, BECKETT	JD7634-05
3	1	WHEEL, BLOWER, ST	JD7634-02
4	1	COUPLING, ASSY, PLASTIC, FUEL, PUMP, BECKETT	JD7634-03
5	1	PUMP, OIL, FUEL, SINGLESTAGE, 3GPH, 3450RPM	JD3306-D
6-A	1	VALVE, SOLENOID, FUEL, 120V, 1/8NPT	JD3306-B
6-B	1	VALVE, SOLENOID, FULE, 230V,1/8NPT	JD3306-C
7	1	NOZZLE, BURNER, OIL, 1.25GPH, 80 DEG. H.C. 1021,1421 MODELS	JB1515
8-A	1	TRANSFORMER, IGNITION, 115V PRIM, 10,000SEC	JD7634-04
8-B	1	TRANSFORMER, IGNITION, 220V PRIM, 10,000SEC	JD7634-06

FIGURE 1-3 (BURNER, GUN, FIRED, OIL, JD7634 & JD7635 ASSY)



NOTES:
 1) CONNECT DOTTED LINE ON UNITS WITHOUT OVER TEMP SWITCH.

CHECK MOTOR DATA PLATE FOR CORRECT WIRING.

COLOR CODE:
 B-BLACK
 W-WHITE
 R-RED
 G-GREEN
 O-ORANGE