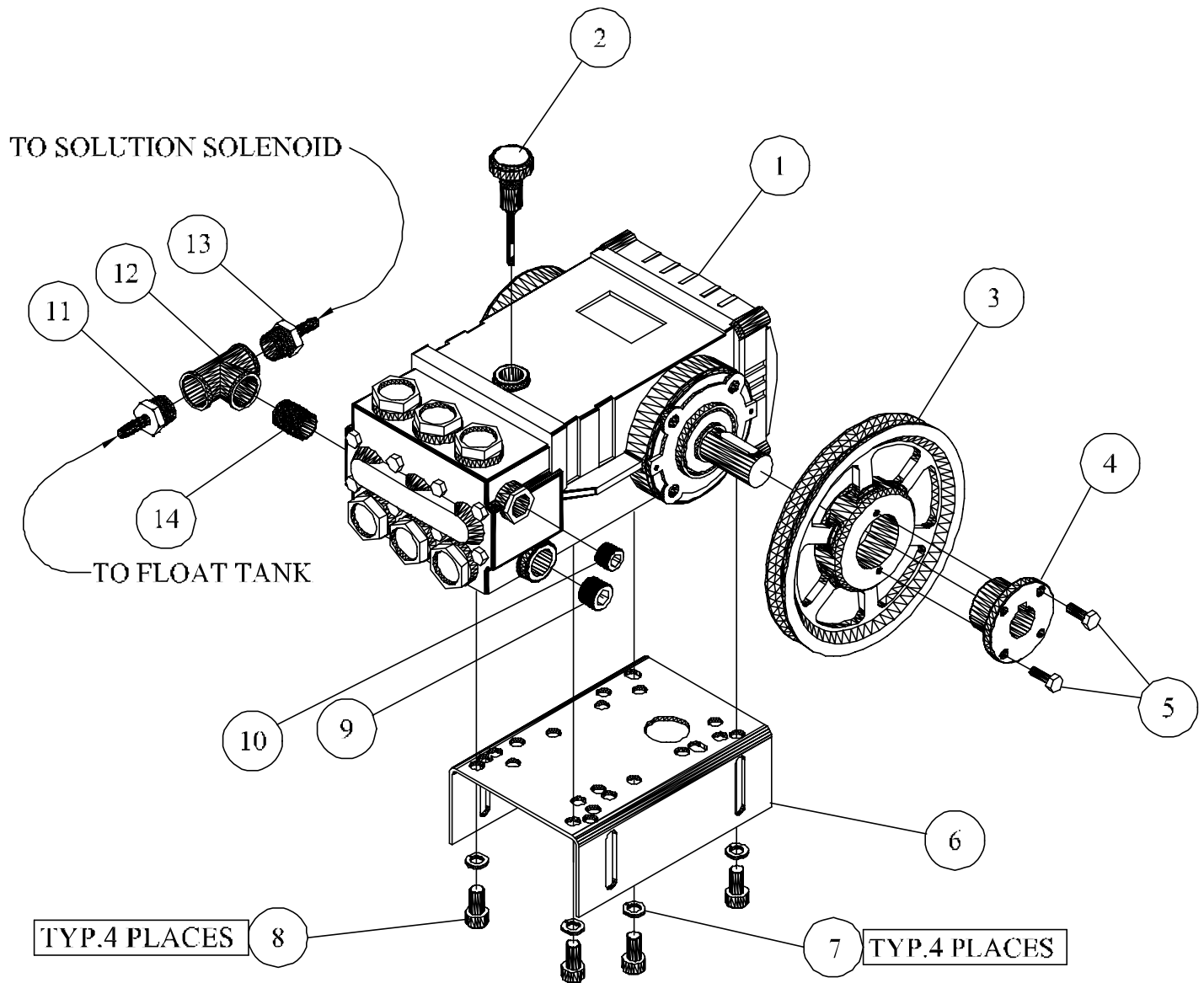


JENNY PRODUCTS INC.
 HPW 1223-115, LES, GES, 115-230/60 1, N/C., LWC, ELECT-IGN

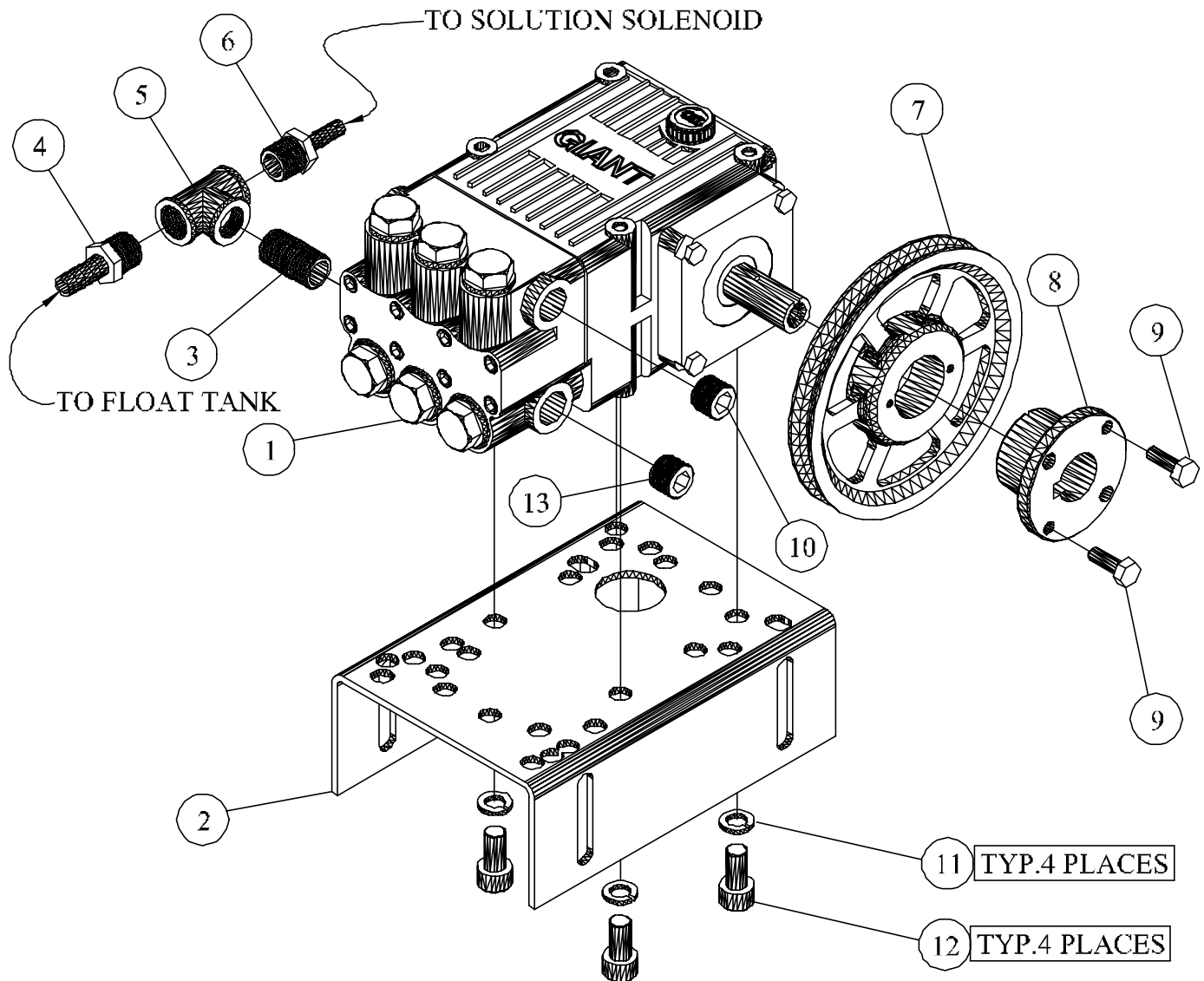
HPW1223, GES, N/C, LWC			
115/60/1			
PARTS LIST			
Notes: Figure 20- (common Parts)			
Electrical Dia. Files Jw 300			
ITEM NO.	DESCRIPTION	QTY.	PART NO.
1	CHASSIS, MODULE, MOTOR-PUMP, GES, LES,	1	JD8500
2	CHASSIS, MODULE, COIL, STL, PNTD, SIZE-A	1	JD8501
3	CASING, COIL, STEEL, PAINTED, SIZE-A	1	JD8504
4	LEGS, STATIONARY, STEEL, PAINTED, GES	4	JD8507
5	LANCE, INSULATED, STEEL, ZINC-PLATED, 1/4X36	1	JP7080-O
6	GUN, TRIGGER, 2200PSI, 6 GPM, 212F	1	JD7154
7	PANEL, SUPPORT, COVER, REAR, STEEL, PNTD, GES	1	JD8510
8	PANEL, SIDE, MODULE, CHASSIS, MTR-PMP, ST, GES	1	JD8515
9	SOCKET, QUICK COUPLING, BRASS, 1/4"NPTF	1	JD3102-02
10 ASSY	COVER, SS, ASSY, NEW, GES	1	JD8523
11	COVER, MACHINE, SS, GES,	1	JD8516
12	MOLDING, RUBBER, FOAM, ADHESIVE, 1/2WX1/8T	1	JD3782-B
13	SCREW, PHILLIPS, HEAD, "N", COVER	10	JP7733
14	RETAINER, SCREW, PHILLIPS, HEAD, "N"	10	JP7733-02
15	PLATE, NAME, ALUM, PRINT, BLACK, 4X4	1	JD3456
16	INSULATION, CERAMIC, 1X26-1/2X44	1	JD2498
17	WASHER, STRAINER, MESH, WIRE, BRASS, #30	2	JD 809
18 ASSY SEE FIG 1-4	TANK, FLOAT, ASSY, W/FITTINGS, HWP1223 GES	1	JD8245-D
19	BAFFLE, TANK, FLOAT, REMOVABLE	1	JP3385-08
20	ADAPTER, EXPANDING, BRASS, 1/2MX1/2F	1	JD6224-04
21	NIPPLE, BRASS, 1/2 NPT X 3LONG	1	JD3094-02
22	ELBOW, FEMALE, BRASS, FORGED, 1/2NPT	1	JD 692-02
23	CONNECTOR, BRASS, 3/4 GARDENHOSE X 1/2NPTM, SWIV	1	JD7142
24	MOTOR, 2HP, 115-230/60/1.1725 RPM, TEFC, F2, C-F	1	JB3006-D
25	PULLEY, CI, SG, TH, BK47H, 3.7PDA, 4.1PDB	1	JD3904-42
26	BUSHING, PULLEY, TAPERED, 5/8 BORE	1	JD3915-01
27	CONNECTOR, RELIEF, STRAIN, 5/8-3/4, 3/4NPTM	1	JD1687-17
28	WIRE, SJO, CPE, BLACK, 12/3	2	JE 432
29	CONNECTOR, SPLICE, BUTT, INSULATED, 12-18 GA.	3	JD3952-A
30	ELBOW, FEMALE, STEEL, PLATED, 3/8NPT	1	JD 691
31	HOSE, WASH, PRESSURE, 3000PSI, 250F, 3/8 X 50FT	1	JD7790-A
32 ASSY SEE FIG. 20-2	SWITCH, PRESSURE, W/BACKET, WELDED, ASSY	1	JP7731
33 ASSY SEE FIG 1-3	MANIFOLD, FITTINGS, VALVE, HPW1223, ASSY, GES	1	JD8200
34	BELT, VEE, COG, AX43	1	JD1579
35 ASSY SEE FIG. 20-1	VALVE, SOLENOID, SOLUTION, 24V, 1/4NPT	1	JD2162-F
36	CLAMP, SLEEVE, PLASTIC, 3/8 I.D.	4	JD2759
37	TUBING, PVC, REINFORCED, 3/8 I.D.	1	JD7575
38	SCREEN, COVER, MACHINE, ST, PAINTED	1	JP7720-01
39	RIVET, AL, .160-.164 HOLE, .063-.125 GRP, 5/32	16	JP7720-02
40	WASHER, FLAT, SS, 3/4 OD X 5/32 ID X 20 GAUGE	16	JP7720-03
41-A ASSY SEE FIG 1-1A	PUMP,AR, MOUNTING & FITTINGS, ASSY, 1223, GES	1	JD8301-A
41-B ASSY SEE FIG 1-1B	PUMP,GIANT, MOUNTING & FITTINGS, ASSY, 1223, GES	1	JD8301-C
	OIL,PUMP,S YNTHETIC,HIGH-PERFORMANCE,1 QT	1	JD7999-A

	OIL,PUMP,SYNTHETIC,HIGH-PERFORMANCE,1 PT	1	JD7999-B	
42	ASSY SEE FIG 1-2	MANIFOLD, BURNER, INLET, 1223 ASSY, ELECT-IGN	1	JP4900
43-A		DROP, CORD, GFCI, 120V, 20A, 40FT	1	JD7179-B
43-B		DROP, CORD, GFCI, 230V, 15A, 40FT	1	JD7179-D
44	ASSY SEE FIG 1-5	BOX, JCT, PANEL, FRONT, 115-230/1PH, 30A, GAS	1	JE2003
45	ASSY SEE FIG 1-6	PLATE, COVER, PANEL, CONT, BOX, JCT, GES, HPW	1	JD8513
46		HOSE, HYD, 3K PSI, 40" LONG, 3/8NPTM, 3/8NPTM	1	JD7876
47		NOZZLE , SPRAY, PSI, SS, QCK CON, 0 DEG, O#4.0	1	JD7755
48		NOZZLE, SPRAY, PSI, SS, QCK CON, 15 DEG, O#4.0	1	JD7756
49		NOZZLE, SPRAY, PSI, SS, QCK CON, 25 DEG, O#4.0	1	JD7757
50		NOZZLE, SPRAY, PSI, SS, QCK, CON, 40 DEG, O#4.0	1	JD7758
51		NIPPLE, STEEL, SCH80, 3/8NPT X 12-1/2 LONG	1	JD1257
52		COIL, GAS, FIRED, 3/8"PIPE, SCH40	1	JP7004
53		PLUG, FUSIBLE, ASSY, 240, DEGREE F, HPW	1	JP3921-F
54		TEE, FEMALE, STEEL, PLATED, 3/8NPT	1	JD3971
55		PLUG, QUICK, COUPLING, BRASS, 3/8NPT	1	JD3103-11
56		SOCKET, QUICK COUPLING, BRASS, 3/8" NPTF	1	JD3102-05
57		BRACKET, OUTLET, COIL, GES	1	JP5413-06
58		RING, CASING, COIL, SS, 7-15/16 I.D.	1	JD2140-B
59		LUG, TERMINAL, COPPER, 3/16BOLT, 6-14GAUGE	1	JD6152
60		TAG, WARNING, WATER TRAP, GAS FIRED UNIT	1	JD7207
61		GROMMET, RUBBER, BLACK, 5/8" I.D.	2	JD3385
62		GROMMET, RUBBER, BLACK, 7/16" I.D.	6	JD3385-01
63		RECEPTICAL, CLIP-ON, STEEL, DACROTIZED	10	JP7733-01
64		GROMMET, RUBBER, BLACK, 1-1/2" DIAMETER	3	JP 675
65		CLAMP, HOSE, NYLON, BLACK, .593/.656- DIA	2	JD7859-D
66		STRAINER, CHEMICAL, BRASS, 1/4", HOSE, BARB	1	JD7140-A
67		TUBING, PVC, CLEAR, 3/8, O.D.X1/4ID	7.1	JD3087
68		SCREW, FLANGE, HES, SERR, ST, PLTD 1/4-20X1/2	24	JD7904-A
69		SCREW, SLF TAP, PHILLIPS, ST, PL, 8-32X3/8	12	JD3043
70		SCREW, FLANGE, HEX, SERR, ST, PL, 5/16-18X1/2	2	JD7905
71		SCREW, FLANGE, HEX, SERR, ST, PL, 3/8-16X3/4	31	JD7906-A
72		NUT, LOCK, FLANGE, HEX, SERR, ST, PL, 3/8-16	10	JD7774-F
73		SCREW, CAP, HEX HD, ST, PL, FLT, 3/8-16X2-1/4"	2	JD7035
74		NUT, LOCK, FLANGE, HEX, SERR, ST, PL, 1/4-20	4	JD7774-D
75		TAG, WARNING, GAS PRESSURE	1	JD3097
76		SCREW, SLF DRL, PHILLIP, ST, PLTD, #8X1/2	4	JD6050
77		SCREW, SLF DRL, HEX WASHER, PLTD, #10x5/8	9	JD7074-A
78		SCREW, CARRIAGE, GR5, ST, PL, 3/8X6	2	JD7798
79		SCREW, CAP, HEX HD, ST, PL, 3/8-16X1-1/4"	1	JD 514
80		WASHER, LOCK, SPLIT, STEEL, PLATED, 3/8"	1	JD 613
81		HOSE, HYD, 3K, PSI, 23"LONG, 3/8NPTM, 9OD-3/8	1	JD7542
NOT SHOWN		TERMINAL, TONGUE. RING, 3/16 HOLE, 18-22 GAUGE	1	JD 928
NOT SHOWN		TERMINAL, TONGUE, FORK, #6HOLE, 14-18GAWIRE	2	JD2347
NOT SHOWN		WIRE, SJO, CPE, BLACK, 18/3	5	JE 436
NOT SHOWN		TERMINAL, CONNECT, QUICK, FEM, 0.250, 14/16GA	10	JD1576-01
NOT SHOWN		TERMINAL, CONNECT, QUICK, PIGGY, FEM, 14-16 GA	2	JD1576-06
NOT SHOWN		DIVERTER, DRAFT, VERTICAL, 8"	1	JD3167
NOT SHOWN		DECAL, DANGER, WARNING, CAUTION, LARGE	1	JD7239



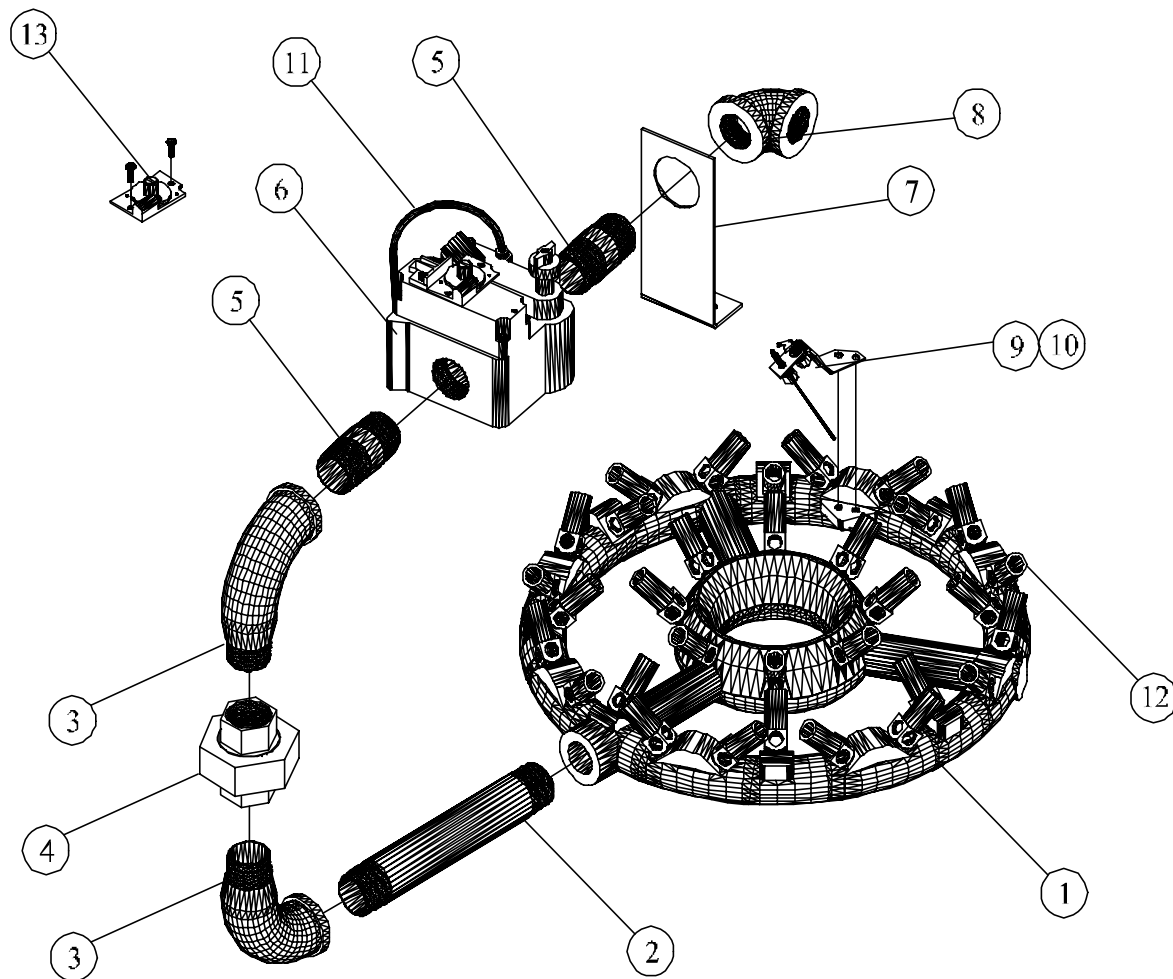
ITEM NO.	QTY.	DESCRIPTION	PART NO.
1	1	PUMP, PLUNGER, TRIPLEX, 2500 PSI,3.0GPM,AR	JD7954
2	1	OIL, DIP, STICK, (RECEIVED W/PUMP)	
3	1	PULLEY,CI,SG,TH,AK71H,6.7PDA,6.36PD3L	JD3904-65
4	1	BUSHING, PULLEY, TAPERED, 24MM BORE	JD3915
5	2	H.H.B.1/4-20 UNC-3/4 CLASS 5 RECEIVED W/BUSHING	
6	1	PLATE, MOUNTING, PUMP, STEEL, PAINTED, JB	JD8016
7	4	WASHER, LOCK, 5/16	JD 612
8	4	SCREW,CAP,HEX,HEAD,ST,PLATED,M8-1.25 X 16MM	JD7258
9	1	PLUG,SOCKET,HEX,BRASS,1/2NPT	JD2648-01
10	1	PLUG,SOCKET,HEX,BRASS,3/8NPT	JD7151
11	1	BARB, HOSE, MALE, BRASS, 3/8 HS X 1/2 NPTM	JD7708-01
12	1	TEE,FEMALE,BRASS,1/2NPT	JD3023
13	1	BARB, HOSE, MALE, BRASS, 1/4 HS X 1/2 NPTM	JD7826
14	1	NIPPLE, CLOSE, BRASS, 1/2NPT	JD3094

FIGURE 1-1A (PUMP, MOUNTING& FITTING, JD8301-A, HPW1223-115 ASSY)



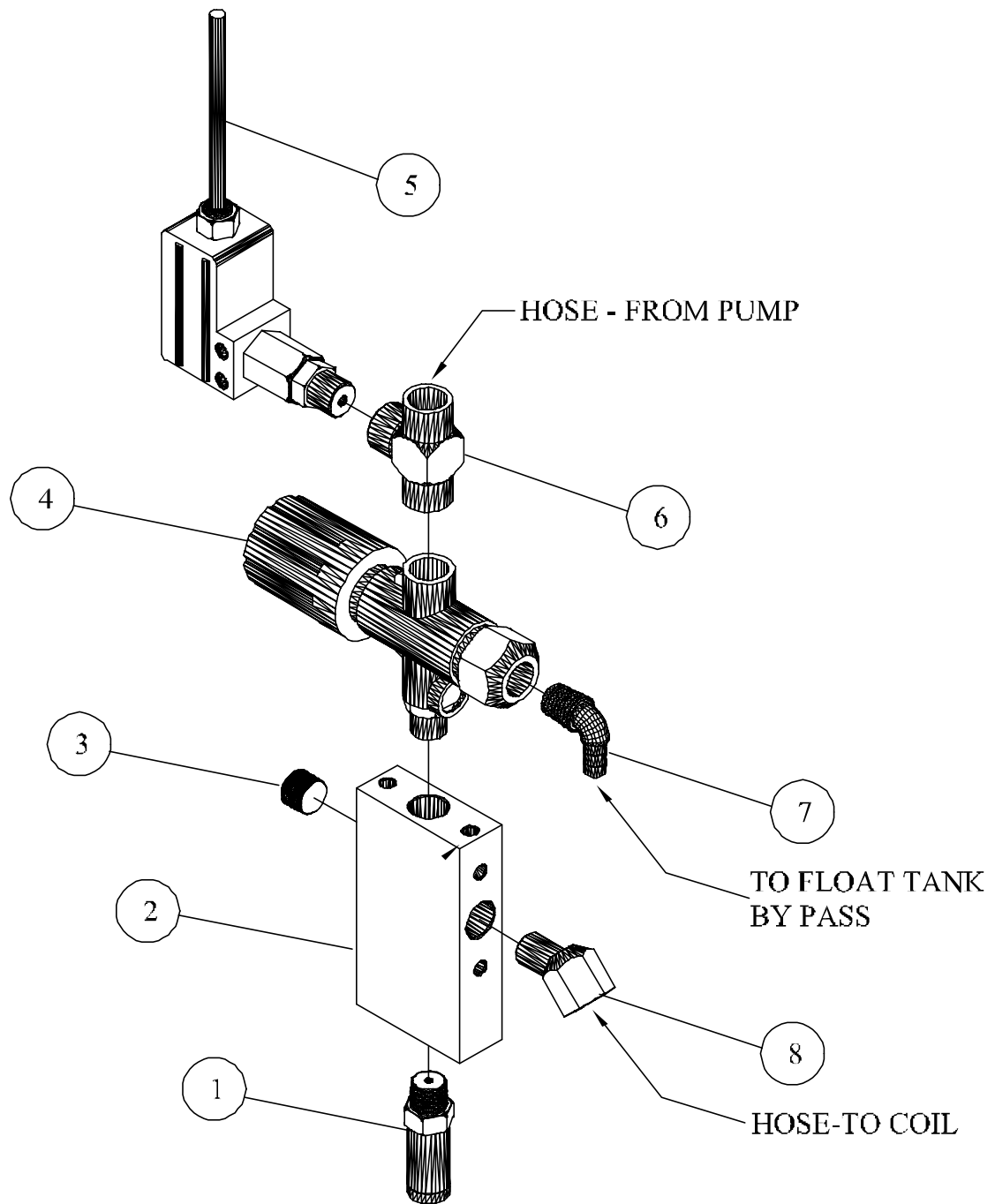
ITEM NO.	QTY.	DESCRIPTION	PART NO.
1	1	PUMP, PLUNGER, TRIPLEX, 2000PSI, 3.18GPM, GIANT	JD7675
2	1	PLATE, MOUNTING, PUMP, STEEL, PLATED, JB	JD8016
3	1	NIPPLE, CLOSE, BRASS, 1/2NPT	JD3094
4	1	BARB, HOSE, MALE, BRASS, 3/8HS X 1/2NPT	JD7708-01
5	1	TEE, FEMALE, BRASS, 1/2NPT	JD3023
6	1	BARB, HOSE, MALE, BRASS, 1/4HS X 1/2NPT	JD7826
7	1	PULLEY, CI, SG, TH, AK64H, 6.0 PDA, 5.66PDA 3L	JD3903-E
8	1	BUSHING, PULLEY, TAPERED, 24MM, BORE	JD3915
9	2	H.H.B. 1/4-20 UNC - 3/4 CLS 5 RECEIVED, W/BUSHING	
10	1	PLUG, SOCKET, HEX, BRASS, 3/8NPT	JD7151
11	4	WASHER, LOCK, 5/16	JD 612
12	4	SCREW, CAP, HEX, HEAD, ST, PLTD, M8-1.25 X 16 MM	JD7258
13	1	PLUG, BRASS, 1/2 NPT	JD2648-01

FIGURE 1-1B (PUMP, MOUNTING & FITTING, JD8301-C, HPW1223 ASS'Y)



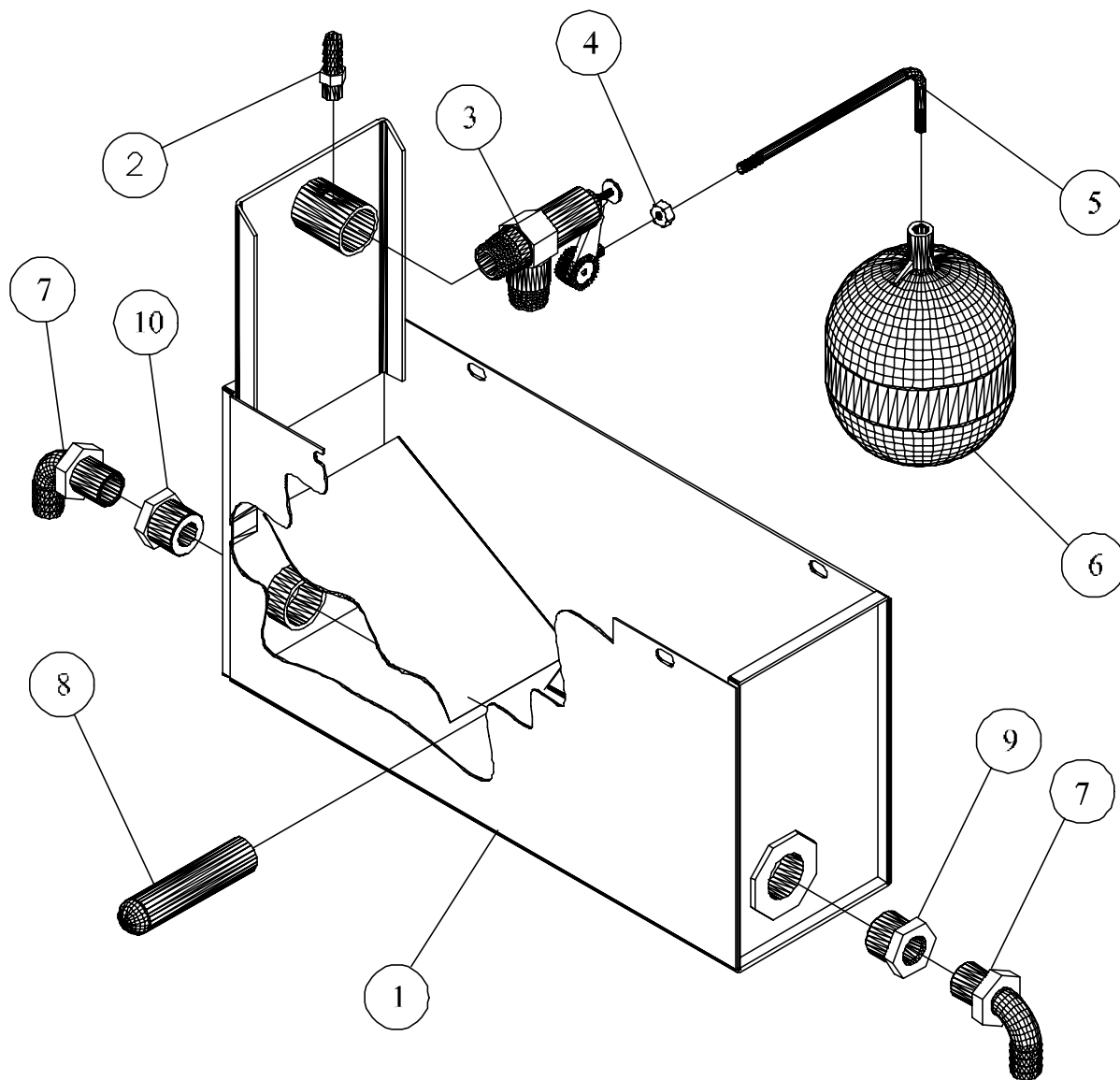
ITEM NO.	QTY.	DESCRIPTION	PART NO.
1-A	1	BURNER, NAT, #640JETS, 0#53,X-10, W/Q314B1019	JD2359
1-B	1	BURNER, LP, #640 JETS, 0#62, X-10 W/Q314B1019	JD2359-A
2	1	NIPPLE, STEEL, SCH40, 3/4NPT X 6LONG	JD1021
3	2	ELBOW, STREET, MI,150#3/4NPT	JD1016
4	1	UNION, FEMALE, MI, 150#.BRASS-IR SEAT,3/4NPT	JP 742
5	2	NIPPLE, STEEL, SCH40, 3/4NPT X 2LONG	JD1303
6	1	VALVE, COMBINATION, NAT, 24V, 3/4, ELECT-IGN	JP7708-A
7	1	BRACKET, MANIFOLD, INLET, 1223, GES	JD8527
8	1	ELBOW, FEMALE, MI, 150# 3/4 NPT	JD 955
9-A	1	PILOT, BURNER, NAT, Q314B1019	JD2359-01
9-B	1	PILOT, BURNER, LP, Q314B1019-LP	JD2359-02
10	1	SENSOR, IGNITOR. W/MT-BRKT & HARDWARE, 60' LD	JP7694-D
11	1	TUBING, ALUMINUM, 1/4 O.D. X .032 WALL	JD1820
12-A	1	JET, BURNER. GAS. NAT., BRASS, #53, .064	JD3027
12-B	1	JET, BURNER, GAS, LP, BRASS, #62, .038	JD3029
13-A	1	REGULATOR, CONVERSION, NAT-TO LP. ROBERT SHW	JD2366-04
13-B	1	REGULATOR, CONVERSION, LP TO NAT. ROBERT SHW	JD2366-C

FIGURE 1-2 (Burner, Gas, Natural, Fitting, JP4900 Nat., JP4900-A Hpw 1223-115 Assy)



ITEM NO.	QTY.	DESCRIPTION	PART NO.
1	1	VALVE, RELIEF, 1200-2400PSI, 160F, 3/8NPTM	JD7048-C
2	1	MANIFOLD, FITTINGS, STEEL, PLATED, ALL UNITS	JP7716
3	2	PLUG, SOCKET, HEX, BRASS, 3/8NPT	JD7151
4	1	VALVE, UNLOADER, PSI, 2000PSI, 6GPM	JD3324-F
5	1	SWITCH, PSI, SP, ST, NO, 15A, 230V, 3/8NPT	JD3977
6	1	TEE, FEMALE, STEEL, PLATED, 3/8 NPT	JD3971
7	1	BARB, HOSE, ELBOW, MALE, BRASS, 3/8HS X 3/8 NPT	JD7149
8	1	ELBOW, STREET, 45°, STEEL, PLATED, 3/8NPT	JD1687

FIGURE 1-3 (Manifold, Valve, Fitting, JD8200, Hpw1223-115 Assy)



ITEM NO.	QTY.	DESCRIPTION	PART NO.
1	1	TANK, FLOAT, BOLT-ON, JB	JD8015
2	1	BARB, HOSE, MALE, BRASS, 1/4 HS X 1/8 NPT	JD6132
3	1	VALVE, FLOAT, BRASS, 60PSI, 1/2"NPTM	JD2988-B
4	1	NUT, HEX, STEEL, PLATED, 1/4-20	JD 791
5	1	ROD, FLOAT, BENT, BRASS, 1/4 X 5-5/8 LG X 1/4-20	JD1416-02
6	1	BALL, FLOAT, PLASTIC, BLACK	JD1416-01
7	1	BARB, HOSE, ELBOW, MALE, BRASS, 3/8HS X 1/2NPT	JD7150-01
8	1	STRAINER, WATER, SS, 30MESH, 25/32 O.D. X 3-1/8 LG	JD3843
9	2	BUSHING, REDUCER, HEX, BRASS, 3/4 X 1/2	JD3096
10	1	BUSHING, REDUCER, HEX, BRASS, 3/4 X 1/2 STRAINER	JP6594

FIGURE 1-4 (Tank, Float, Fitting, JD8245-D, Hpw1223-115, Assy)

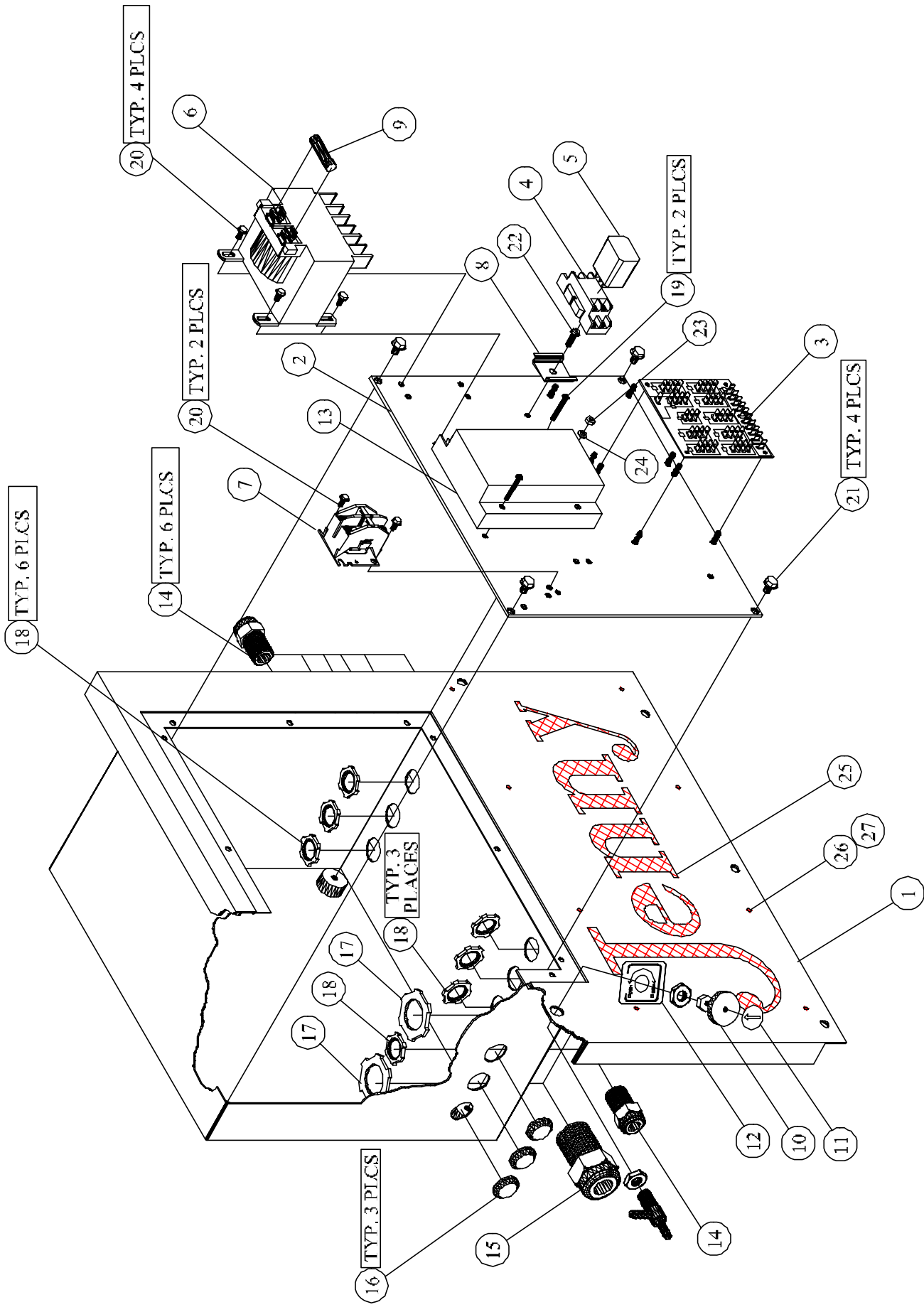
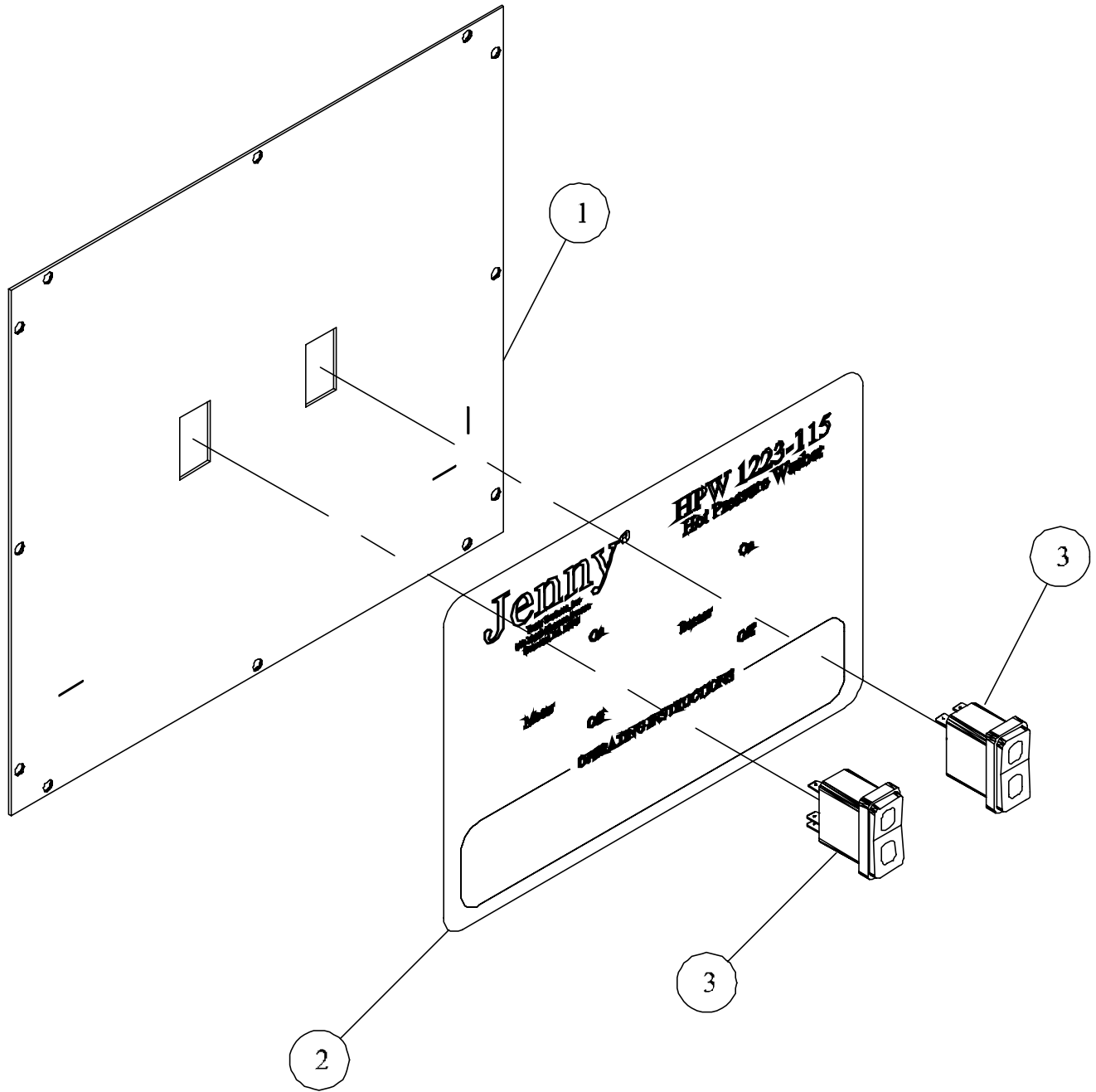


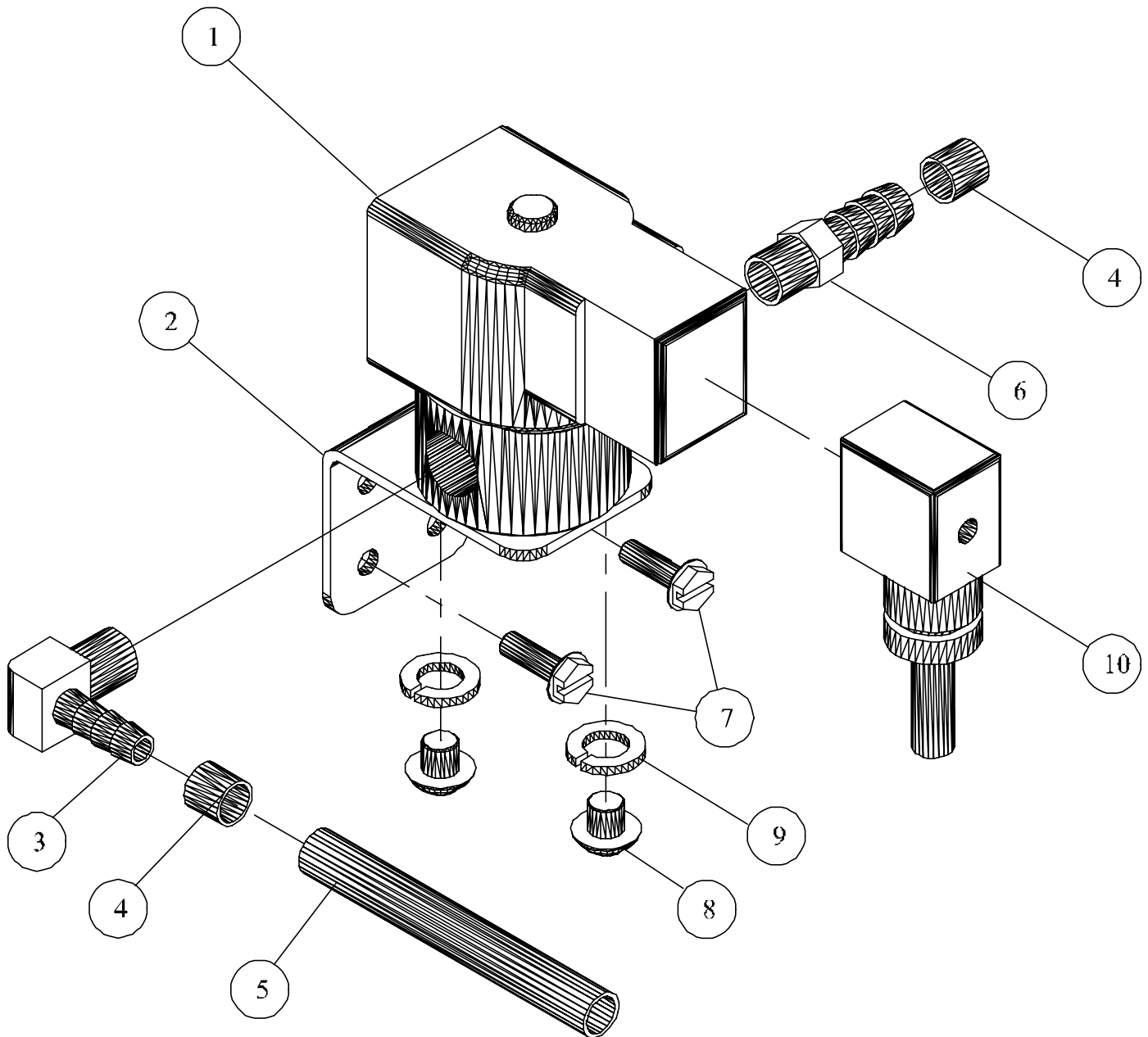
FIGURE 1-5 (Box, Junction, Panel, Front, 115-230/60/1PH, Gas, JE2003, Hpw1223-115, Assy)

ITEM NO.	DESCRIPTION	QTY.	PART NO.
1	PANEL, CONTROL, BOX, JUNCTION, STL, PNTD, GES	1	JD8511
2	PLATE, MOUNTING, PANEL, CONT, BOX, JCT, ST, GES	1	JD8512
3	BOARD, CIRCUIT, PRINTED, ALL MACHINES	1	JB5000
4	BASE, RELAY, DP	1	JD7819-A
5	RELAY, DP, DT, 24VAC	1	JD7819
6	TRNSFRMR, CTRL, OPN, 100VA, 120-460VP, 24VS	1	JD2868
7	CONTACTOR, DP, OP, 2P,30A, 24V	1	JP3530-D
8	RAIL, DIN, STL, PLTD, TAIL, DOVE, 1 3/8X5/16	0.16	JD7768-A
9	FUSE, ELEMENT, DUAL, DELAY, TIME, 250V, 6AMP	1	JD3107-11
10	VALVE, NEEDLE, SOLUTION, BRASS, 1/4IDHS-BARB	1	JD6248-A
11	DECAL, INDICATOR, HANDLE, VALVE, SOLUTION	1	JD7143
12	DECAL, SOLUTION, METERING, VALVE	1	JD7821
13	CONTROL, IGNITION, UNIT, LOCKOUT, SP745	1	JP7694-A
14	CONNECTOR, RELIEF, STRAIN, 1/4-3/8, 1/2 NPTM	7	JD1687-06
15	CONNECTOR, RELIEF, STRAIN, .5/8-3/4, 3/4NPTM	2	JD1687-17
16	PLUG, HOLE, PLASTIC, BLACK, 7/8"	3	JD3856
17	NUT, LOCK, CONDUIT, STEEL, PLATED, 3/4"	2	JD7728
18	NUT, LOCK, CONDUIT, STEEL, PLATED, 1/2"	6	JP 809
19	SCREW, MACHINE, PHILLIP, STEEL, PLATED, 8-32X1	2	JD838
20	SCREW, FLANGE, HEX, SERR, ST, PL, 8-32x3/8	6	JD7901-B
21	SCREW, FLANGE, HEX, SERR, ST, PL, 1/4-20X1/2	4	JD7904-A
22	SCREW, SLF DRL, HEX WASHER, PLTD, #10x5/8	1	JD7074-A
23	NUT, HEX, STEEL, PLATED, 10-32	1	JD 781
24	WASHER, LOCK, SPLIT, STEEL, PLATED, #10	1	JD 624
25	SCREEN, COVER, MACHINE, ST, PAINTED	1	JP7720-01
26	RIVET, AL, .160-.164 HOLE, .063-.125 GRP, 5/32	8	JP7720-02
27	WASHER, FLAT, SS,3/4 O.D.X 5/32 I.D. X 20 GAUGE	8	JP7720-03



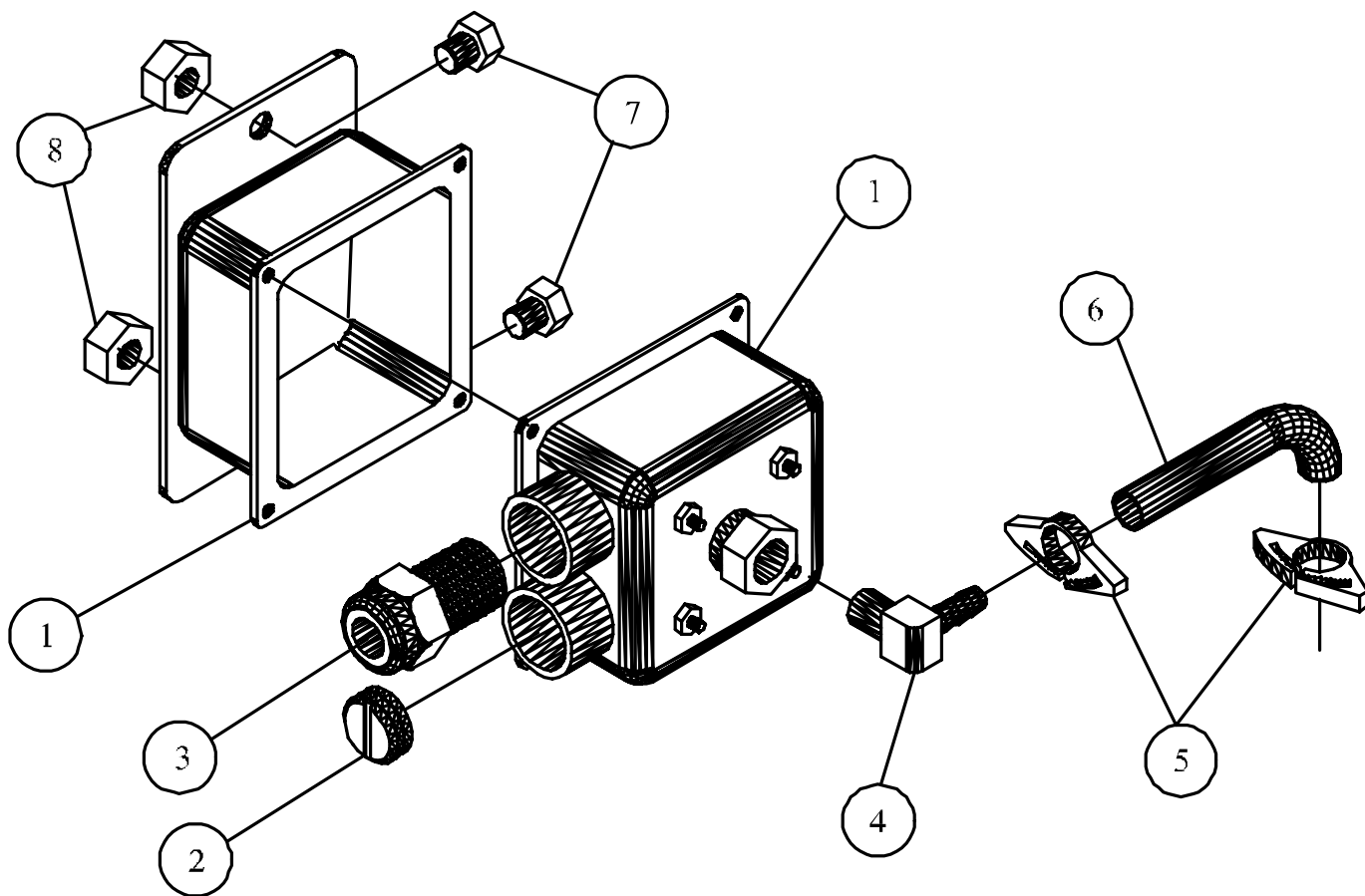
ITEM NO.	QTY.	DESCRIPTION	PART NO.
1	1	PLATE, COVER, PANEL, CONT, BOX, JUNC., HPW, GES	JD8513
2	1	DECAL, PANEL, INSTRUCTION, HPW 1223, GES	JD8402
3	2	SWITCH, ROCKER, SP, ST, 10A, 24V, LED, LIGHT	JE1004

FIGURE 1-6 (Panel, Instruction, Fitting, JD8512, Hpw 1223-115 Assy)



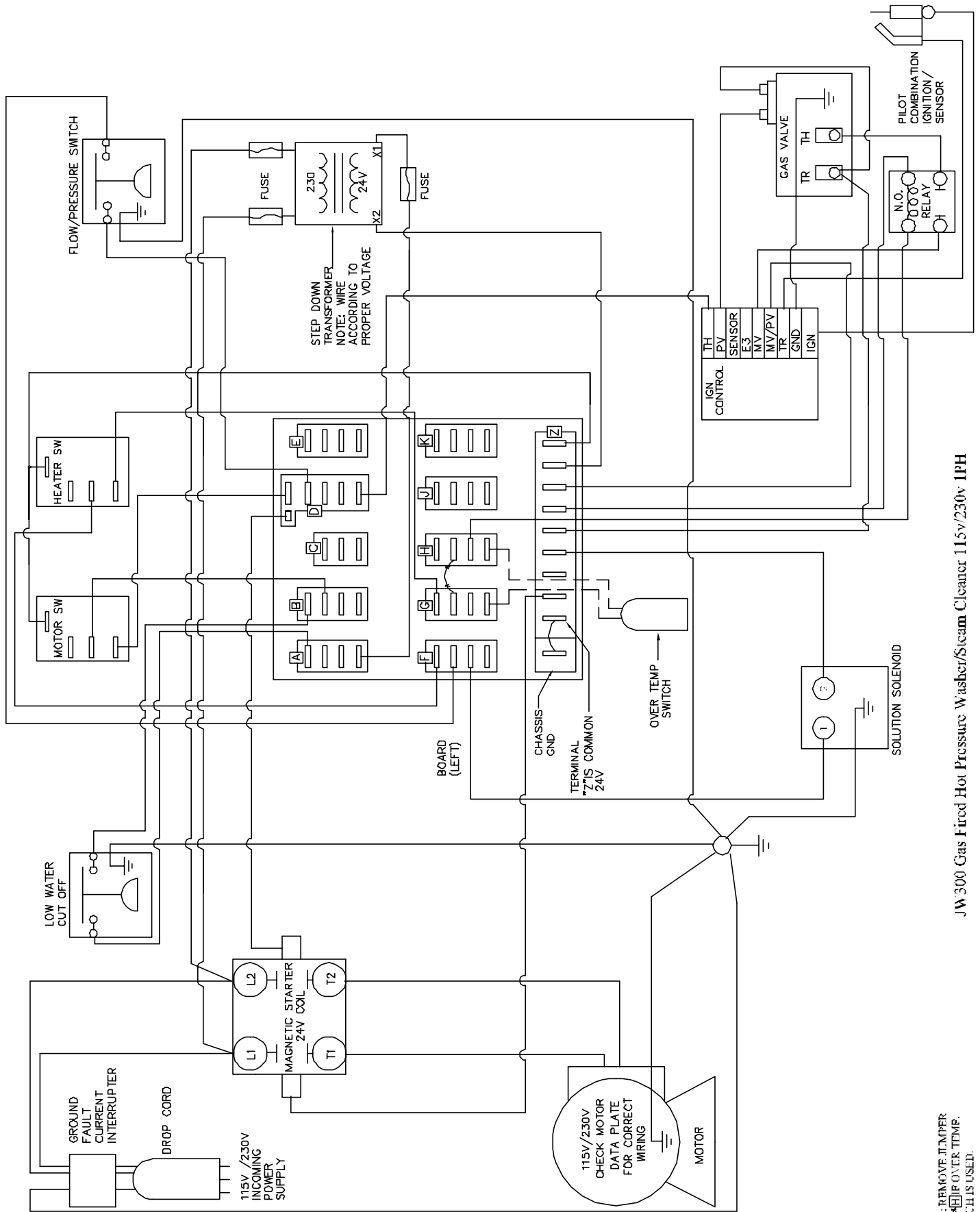
ITEM NO.	QTY.	DESCRIPTION	PART NO.
1	1	VALVE, SOLENOID, SOLUTION, 24V, 1/4NPT	JD2162-F
2	1	BRACKET, MOUNTING, SOLUTION, SOLENOID	JD7760
3	1	BARB, HOSE, ELBOW, MALE, BRASS, 1/4HS X 1/4 NPT	JD7078
4	2	CLAMP, SLEEVE, PLASTIC, 3/8 I.D.	JD2759
5	1	TUBING, PVC, CLEAR, 3/8 O.D. X 1/4 I.D.	JD3087
6	1	BARB HOSE 1/4 HS X 1/4 NPT	JD2765
7	2	SCREW, SLF, DRL, HEX WASHER, PLTD, #10 X 5/8	JD7074-A
8	2	SCREW, MACHINE, PHILLIPS, ST, PL, 10-32 X 3/8	JD3234
9	2	WASHER, LOCK, SPLIT, STEEL, PLATED, #10	JD624
10	1	CONNECTOR, SOLENOID, RELIEF, STRAIN, DIN	JD7703

FIGURE 20-1 (VALVE, SOLUTION, SOLENOID, JD2162-F, ASSY)



ITEM NO.	QTY.	DESCRIPTION	PART NO.
1	1	SWITCH, PRESSURE, W/BRACKET, WELDED ASSY	JP7731
2	1	PLUG, HOLE, BOX, JUNCTION, 1/2 NPS	JD7719
3	1	CONNECTOR, RELIEF, STRAIN, 1/4-3/8, 1/2NPM	JD1687-06
4	1	BARB, HOSE, ELBOW, MALE, BRASS, 1/4HS X 1/4NPT	JD7078
5	2	CLAMP, HOSE, NYLON, BLACK, .406/.468 DIA	JD-7859-A
6	1	TUBING, PVC, REINFORCED, 1/4ID	JD7850
7	2	SCREW, FLANGE, HEX, SERR,ST, PL, 1/4-20 X 1/2	JD7904-A
8	2	NUT, LOCK, FLANGE, HEX, SERR, ST, PL, 1/4-20	JD7774-D

FIGURE 20-2 (SWITCH, PRESSURE, W/BRACKET, WELDED, JD7731, ASS'Y)



JW 300 Gas Fired Hot Pressure Washer/Steam Cleaner 115v/230v 1PH

NOTE: REMOVE JUMPER SWITCH IF OVER TEMP. SWITCH IS USED.