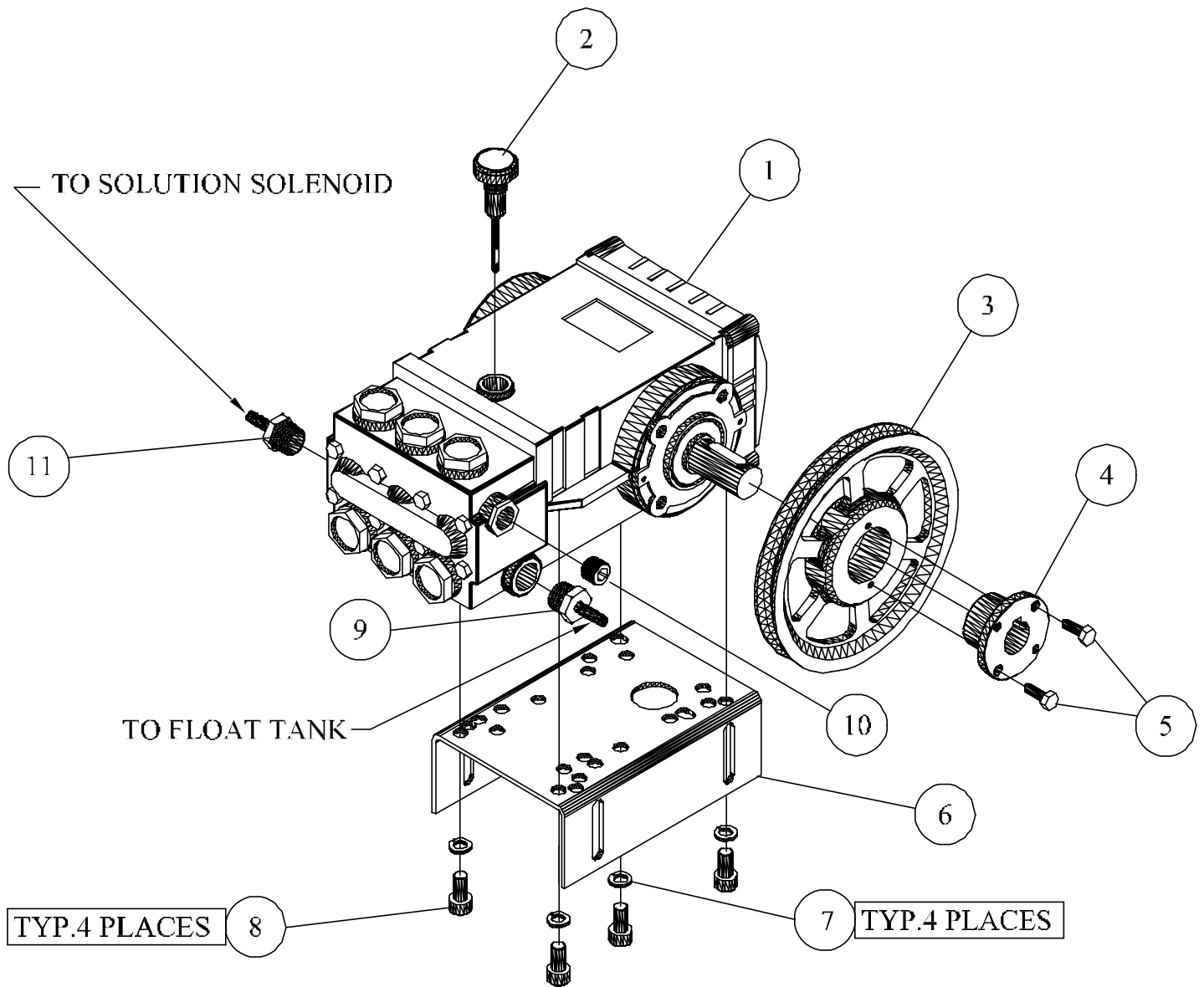


JENNY PRODUCTS INC.  
 HPW 1530, GES, 208-230/60/1PH, N/C., LWC, ELECT-IGN.

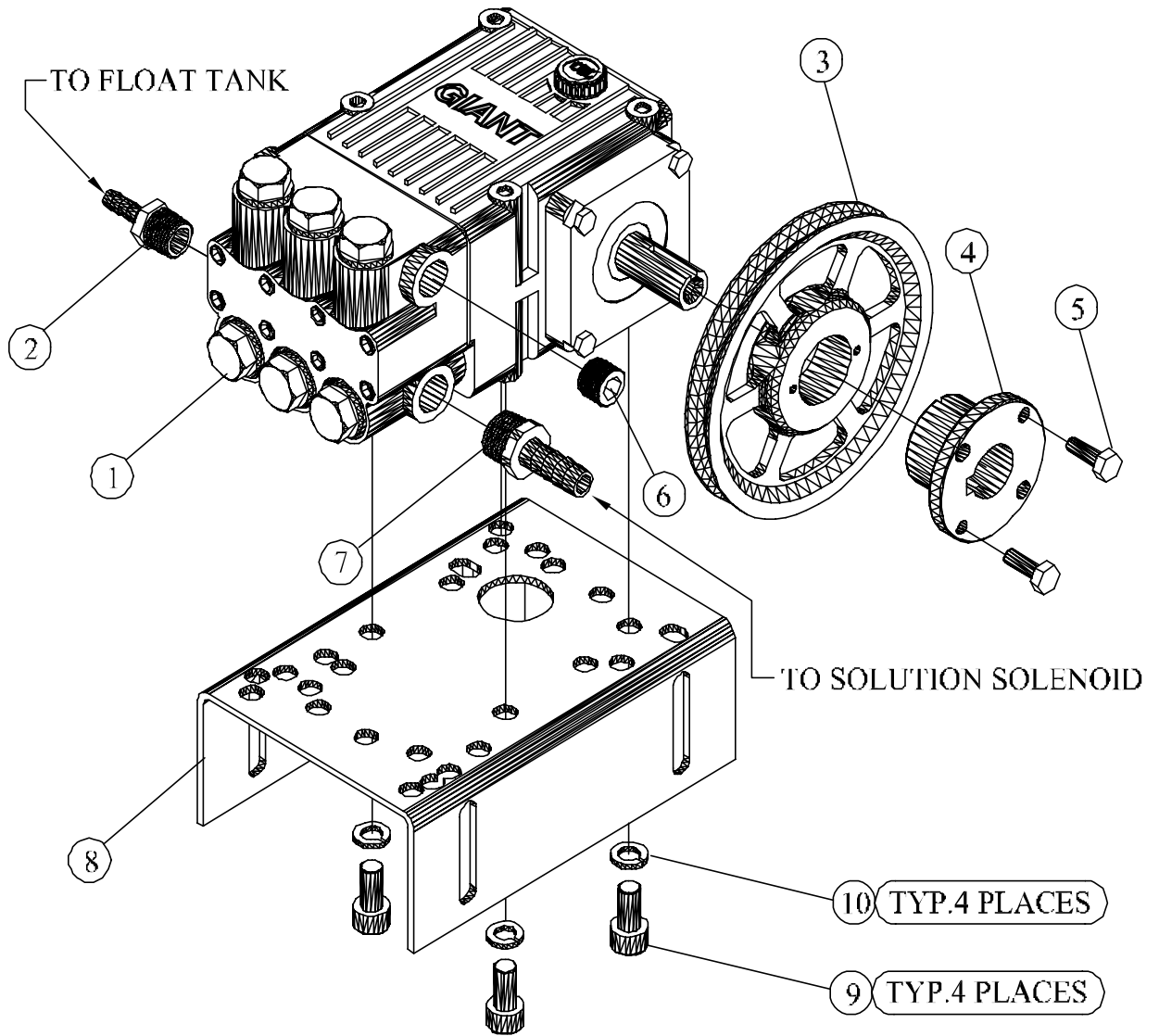
<b>HPW1530, GES, LES, N/C, LWC</b>			
<b>208-230/60/1PH</b>			
<b>PARTS LIST</b>			
Notes: Figure 20-(common Parts)			
Electrical Dia. File Jw300			
<b>ITEM NO.</b>	<b>DESCRIPTION</b>	<b>QTY.</b>	<b>PART NO.</b>
1	CHASSIS, MODULE, MOTOR-PUMP, HPW, GES & LES	1	JD8500
2	CHASSIS, MODULE, COIL, STL, PNTD, SIZE-A	1	JD8501
3	CASING, COIL, STEEL, PAINTED, SIZE-A	1	JD8504
4	LEGS, STATIONARY, STEEL, PAINTED, GES	4	JD8507
5	LANCE, INSULATED, STEEL, ZINC-PLATED, 1/4X36	1	JP7080-O
6	GUN, TRIGGER, 2200PSI, 6GPM, 212F	1	JD7154
7	PANEL, SUPPORT, COVER, REAR, STEEL, PNTD, GES	1	JD8510
8	PANEL, SIDE, MODULE, CHASSIS, MTR-PMP, ST, GES	1	JD8515
9	SOCKET, QUICK COUPLING, BRASS, 1/4"NPTF	1	JD3102-02
10ASSY	COVER, SS, ASSY, NEW, GES	1	JD8523
11	COVER, MACHINE, SS, GES	1	JD8516
12	MOLDING, RUBBER, FOAM, ADHESIVE, 1/2WX1/8T	1	JD3782-B
13	SCREW, PHILLIPS, HEAD, "N", COVER	10	JP7733
14	RETAINER, SCREW, PHILLIPS, HEAD, "N"	10	JP7733-02
15	PLATE, NAME, ALUM, PRINT, BLACK, 4X4	1	JD3456
16	INSULATION, CERAMIC, 1X26-1/2X44	1	JD2498
17	WASHER, STRAINER, MESH, WIRE, BRASS, #30	2	JD 809
18ASSY SEE FIG 1-4	TANK, FLOAT, ASSY, W/FITTINGS, HPW	1	JD8245-S
19	BAFFLE, TANK, FLOAT, REMOVABLE	1	JP3385-08
20	ADAPTER, EXPANDING, BRASS, 1/2MX1/2F	1	JD6224-04
21	NIPPLE, BRASS, 1/2 NPT X 3LONG	1	JD3094-02
22	ELBOW, FEMALE, BRASS, FORGE, 1/2NPT	1	JD 692-02
23	CONNECTOR, BRASS, 3/4 GARDEN HOSE X 1/2NPTM, SWIV	1	JD7142
24	MOTOR, 3HP, 208-230/60/1, 1725 RPM, TEFC, F2	1	JB3009
25	PULLEY, CI, SG, TH, BK47H, 3.7PDA, 4.1PDB	1	JD3904-42
26	BUSHING, PULLEY, TAPERED, 1-1/8 BORE	1	JD3915-04
27	CONNECTOR, RELIEF, STRAIN, 5/8-3/4, 1/2NPTM	1	JD1687-06
28	WIRE, SJO, CPE, BLACK, 12/3	2	JE 432
29	CONNECTOR, SPLICE, BUTT, INSULATED, 12-18 GA.	3	JD3952-A
30	HOSE, HYD, 3K, 23" L, 3/8 NPTM, 90D-3/8NPTM	1	JD7542
31	HOSE, WASH, PRESSURE, 3000PSI, 250F, 3/8 X 50FT	1	JD7790-A
32ASSY SEE FIG.20-2	SWITCH, PRESSURE, W/BACKET, WELDED	1	JP7731
33ASSY SEE FIG 1-3	MANIFOLD, FITTINGS, VALVE, HPW1530	1	JD8200
34-A	BELT, VEE, COG, AX43	1	JD1579
34-B	BELT, VEE, COG, AX38	1	JD3959
35ASSY SEE FIG. 20-1	VALVE, SOLENOID, SOLUTION, 24V, 1/4NPT	1	JD2162-F
36	CLAMP, GEAR, WORM, SS, 7/32 TO 5/8 DIAMETER	2	JD3068
37	TUBING, PVC, REINFORCED, 3/8 I.D.	1	JD7575
38	SCREEN, COVER, MACHINE, ST, PAINTED	1	JP7720-01
39	RIVET, AL, .160-.164 HOLE, .063-.125GRP, 5/32	8	JP7720-02
40	WASHER, FLAT, SS, 3/4 OD X 5/32 ID X 20 GAUGE	8	JP7720-03
41ASSY SEE FIG 1-1A	PUMP, MOUNTING&FITTINGS, ASSY, 1530, GES AR	1	JD8300-A
41ASSY SEE FIG 1-1B	PUMP, MOUNTING&FITTINGS, ASSY, 1530, GES GIANT	1	JD8300-C
	OIL,PUMP,SYNTHETIC,HIGH-PERFORMANCE,1 QT	1	JD7999-A
	OIL,PUMP,SYNTHETIC,HIGH-PERFORMANCE,1 PT	1	JD7999-B
42-A ASSY SEE FIG 1-2	MANIFOLD, NAT., BURNER, INLET, 1530 ASSY, ELECT-IGN	1	JP4900-B
42-B ASSY SEE FIG 1-2	MANIFOLD, LP, BURNER, INLET, 1530 ASSY, ELECT-IGN BEFORE 12/6/01	1	JP4900-A
42-C ASSY SEE FIG 1-2	MANIFOLD, LP, BURNER, INLET, 1530 ASSY, ELECT-IGN AFTER 12/6/01	1	JP4900-C
43	DROP, CORD, GFCI, 240V, 20A, 40FT	1	JD7179-E
44ASSY SEE FIG 1-5	BOX, JCT, PANEL, FRONT, 115-230/1PH, 30A, GAS	1	JE2003
45ASSY SEE FIG 1-6	PLATE, COVER, PANEL, CONT, BOX, JCT, GES, HPW	1	JD8513
46	HOSE, HYD, 3K PSI, 40" LONG, 3/8NPTM, 3/8NPTM	1	JD7876
47	NOZZLE, SPRAY, PSI, SS, QCK CON, 0 DEG, O#5.0	1	JD7755-02
48	NOZZLE, SPRAY, PSI, SS, QCK CON, 15 DEG, O#5.0	1	JD7756-02

49	NOZZLE, SPRAY, PSI, SS, QCK CON, 25 DEG, O#5.0	1	JD7757-02
50	NOZZLE, SPRAY, PSI, SS, QCK, CON, 40 DEG, O#5.0	1	JD7758-02
51	THERMOSTAT, IMMERSION, SP, ST, NC, 240, DEG., F	1	JD7137
52	COIL, GAS, FIRED, 3/8"PIPE, SCH40	1	JP7004
53	TEE, STREET, STEEL, PLATED, 3/8 NPT	1	JD 860-02
54	PLUG, QUICK, COUPLING, BRASS, 3/8NPTF	1	JD3103-05
55	SOCKET, QUICK COUPLING, BRASS, 3/8"NPTF	1	JD3102-05
56	ELBOW, FEMALE, STEEL, PLATED, 3/8 NPT	1	JD 691
57	WASHER, LOCK, SPLIT, STEEL, PLATED, 3/8"	1	JD 613
58	RING, CASING, COIL, SS, 7-15/16 I.D.	1	JD2140-B
59	LUG, TERMINAL, COPPER, 3/16BOLT, 6-14GAUGE	1	JD6152
60	HOSE, SOLVENT, NEOPRENE, 1/2" ID	1.6	JD 946
61	GROMMET, RUBBER, BLACK, 5/8" I.D.	2	JD3385
62	GROMMET, RUBBER, BLACK, 7/16"DIAMETER	6	JD3385-01
63	RECEPTICAL, CLIP-ON, STEEL, DACROTIZED	10	JP7733-01
64	GROMMET, RUBBER, BLACK, 1-1/2" I.D.	3	JP 675
65	CLAMP, SLEEVE, PLASTIC, 3/8 I.D.	4	JD2759
66	STRAINER, CHEMICAL, BRASS, 1/4", HOSE, BARB	1	JD7140-A
67	TUBING, PVC, CLEAR, 3/8, O.D.X1/4ID	7.1	JD3087
68	SCREW, FLANGE, HEX, SERR, ST, PLTD, 1/4-20X1/2	24	JD7904-A
69	SCREW, SLF TAP, PHILLIPS, ST, PL, 8-32X3/8	12	JD3043
70	SCREW, FLANGE, HEX, SERR, ST, PL, 5/16-18X1/2	2	JD7905
71	SCREW, FLANGE, HEX, SERR, ST, PL, 3/8-16X3/4	31	JD7906-A
72	NUT, LOCK, FLANGE, HEX, SERR, ST, PL, 3/8-16	10	JD7774-F
73	SCREW, CAP, HEX HD, ST, PL, FLT, 3/8-16X2-1/4"	2	JD7035
74	NUT, LOCK, FLANGE, HEX, SERR, ST, PL, 1/4-20	4	JD7774-D
75	CLAMP, HOSE, NYLON, BLACK, .750/.875DIA	2	JD7859-F
76	SCREW, SLF DRL, PHILLIP, ST, PLTD, #8X1/2	4	JD6050
77	SCREW, SLF DRL, HEX WASHER, PLTD, #10x5/8	9	JD7074-A
78	SCREW, CARRIAGE, GR5, ST, PL, 3/8X6	2	JD7798
79	SCREW, CAP, HEX HD, ST, PL, 3/8-16X1-3/4"	1	JD2629
80	TAG, WARNING, WATER TRAP, GAS FIRED UNIT	1	JD7207
81	TAG, WARNING, GAS PRESSURE	1	JD3097
NOT SHOWN	TERMINAL, TONGUE, RING, 3/16 HOLE, 18-22 GAUGE	1	JD 928
NOT SHOWN	TERMINAL, TONGUE, FORK, #6HOLE, 14-18GAWIRE	2	JD2347
NOT SHOWN	WIRE, SJO, CPE, BLACK, 18/3	5	JE 436
NOT SHOWN	TERMINAL, CONNECT, QUICK, FEM, 0.250, 14/16GA	10	JD1576-01
NOT SHOWN	TERMINAL, CONNECT, QUICK, PIGGY, FEM, 14-16GA	2	JD1576-06
NOT SHOWN	DIVERTER, DRAFT, VERTICAL, 8"	1	JD3167
NOT SHOWN	DECAL, DANGER, WARNING, CAUTION, LARGE	1	JD7239
NOT SHOWN	DECAL, NOTICE, GROUND, 4MILTHK, 5YRWHT	1	JD2344-01
NOT SHOWN	DECAL, NUMBER MODEL, HPW 1530, BLUE LARGE	1	JD8453
NOT SHOWN	DECAL, PACKED, GROOMED, TESTED	1	JD6013
NOT SHOWN	DECAL, MADE-IN-THE-USA, JENNY	1	JD6211
NOT SHOWN	DECAL, PANEL, INSTRUCTION, HPW, 1530, OEP & GES	1	JD8404



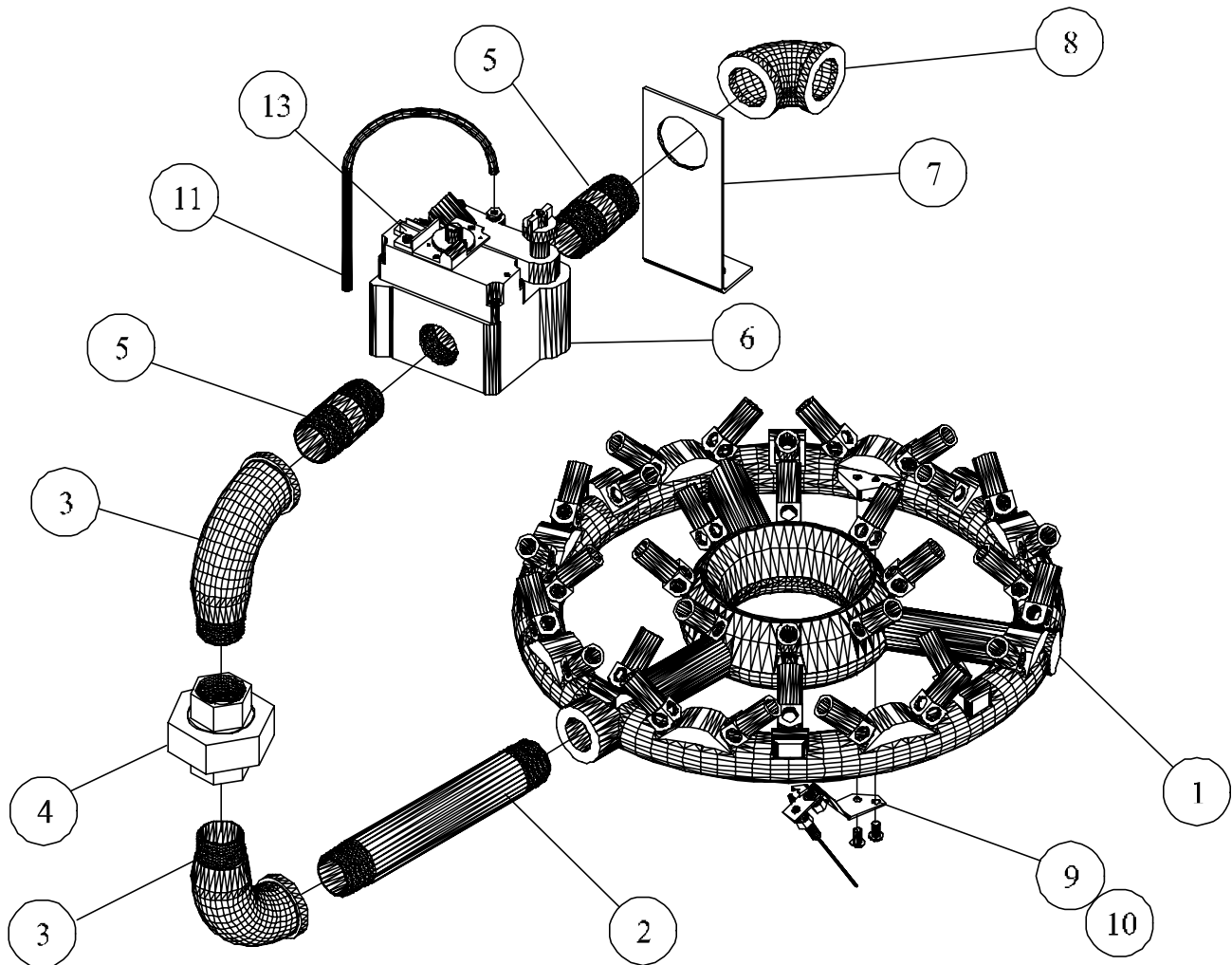
ITEM NO.	QTY.	DESCRIPTION	PART NO.
1	1	PUMP, PLUNGER, TRIPLEX, 2200 PSI, 4.0GPM, AR	JD7955
2	1	OIL, DIP, STICK, (RECEIVED W/PUMP)	
3	1	PULLEY, CI, SG, TH, AK66H, 6.2PDA, 5.86D3L	JD3904-02
4	1	BUSHING, PULLEY, TAPERED, 24MM BORE	JD3915
5	2	H.H.B. 1/4-20 UNC-3/4 CLASS 5 RECEIVED W/BUSHING	
6	1	PLATE, MOUNTING, PUMP, STEEL, PAINTED, JB	JD8016
7	4	WASHER, LOCK, SPLIT, STEEL, PLATED, 5/16"	JD 612
8	4	SCREW, CAP, HEX, HEAD, ST, PLATED, M8-1.25 X 16MM	JD7258
9	1	BARB, HOSE, MALE, BRASS 1/2 HS X 1/2 NPT	JD7077-A
10	1	PLUG, SOCKET, HEX, BRASS, 3/8 NPT	JD7151
11	1	BARB, HOSE, MALE, BRASS, 1/4 HS X 1/2 NPTM	JD7826

FIGURE 1-1A (Pump, Mounting, Fitting, JD8300-A, Hpw1530 Assy)



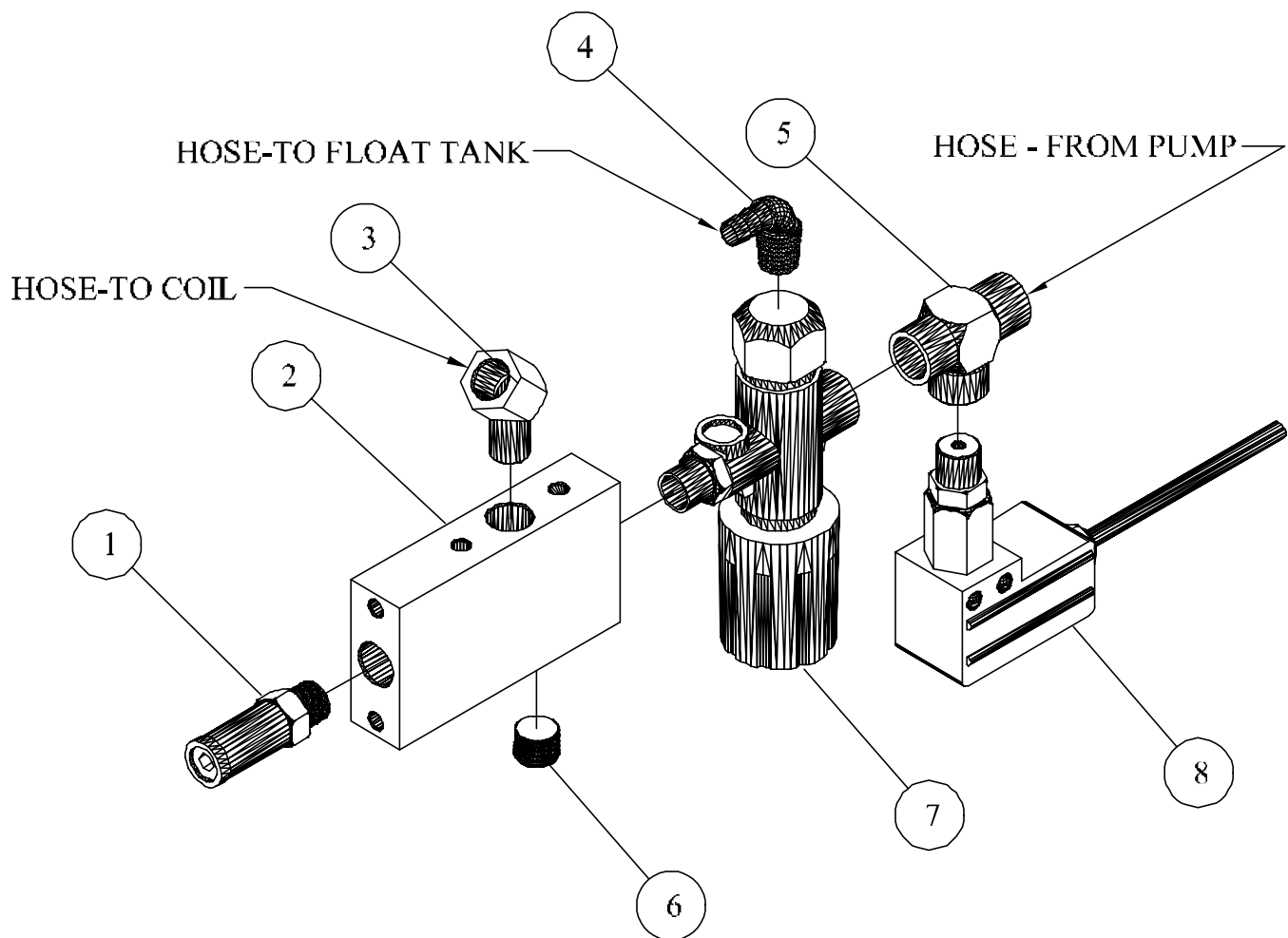
ITEM NO.	QTY.	DESCRIPTION	PART NO.
1	1	PUMP, PLUNGER, TRIPLEX, 2500PSI, 4.2GPM, GIA	JD7700
2	1	BARB, HOSE, MALE, BRASS, 1/2HSX1/2NPT	JD7707-A
3	1	PULLEY, CI, SG, TH, AK56H, 5.2PDA, 4.86PD3L	JD3903-D
4	1	BUSHING, PULLEY, TAPERED, 24MM, BORE	JD3915
5	1	H.H.B. 1/4-20 UNC - 3/4 CLS 5 RECEIVED, W/BUSHING	
6	1	PLUG, SOCKET, HEX, BRASS, 3/8NPT	JD7151
7	1	BARB, HOSE, MALE, BRASS, 1/4HS X 1/2NPT	JD7826
8	1	PLATE, MOUNTING, PUMP, STEEL, PLATED, JB	JD8016
9	2	WASHER, LOCK, 5/16	JD 612
10	1	SCREW, CAP, HEX, HEAD, ST, PLTD, M8-1.25 X 16 MM	JD7258

FIGURE 1-1B (PUMP, MOUNTING & FITTING, JD8300-C, HPW1530 ASS'Y)



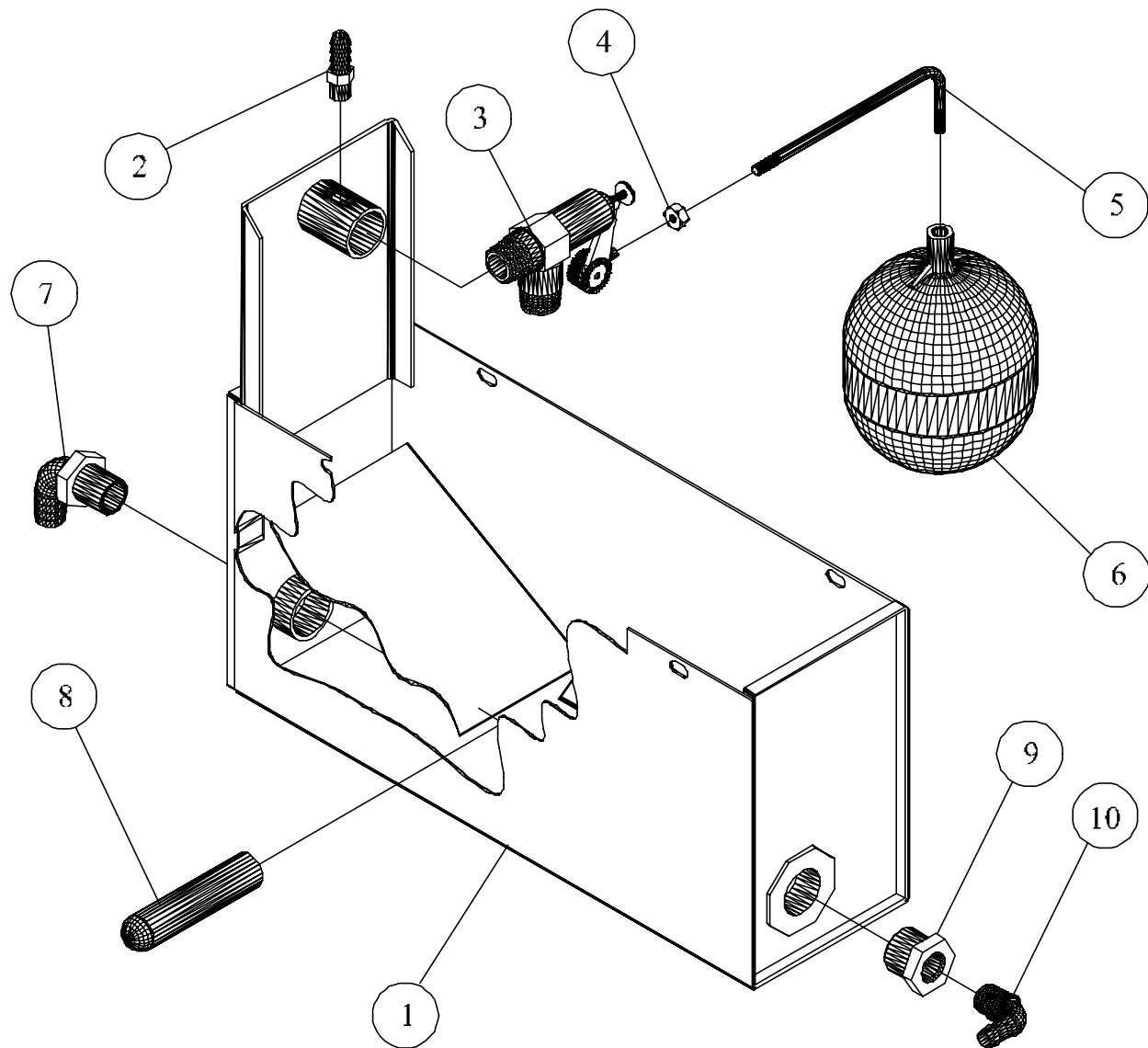
ITEM NO.	QTY.	DESCRIPTION	PART NO.
1-A	1	BURNER,NAT,#640JETS,)0#51,X-10,#Q314B101	JD2359-B
1-B	1	BURNER, LP, #640 JETS, 0#62, X-10W/Q314B1019	JD2359-A
2	1	NIPPLE,STEEL,SCH40,3/4NPT X 6"LONG	JD1021
3	2	ELBOW,STREET,MI,150#3/4NPT	JD1016
4	1	UNION,FEMALE,MI,150#.BRASS,-IR SEAT,3/4NPT	JP 742
5	2	NIPPLE,STEEL,SCH40,3/4NPT X 2LONG	JD1303
6	1	VALVE,COMBNATION,NAT,24V,3/4,ELECT-IGN	JP7708-A
7	1	BRACKET,MANIFOLD,INLET,1223,GES	JD8527
8	1	ELBOW,FEMALE,MI,150# 3/4 NPT	JD 955
9-A	1	PILOT,BURNER,NAT,Q314B1019	JD2359-01
9-B	1	PILOT,BURNER,LP, Q314B1019-LP	JD2359-02
10	1	SENSOR,IGNITOR,W MT-BRKT&HARDWARE,60' LEAD	JP7694-D
11	1	TUBING,ALUMINUM,1/4 O.D. X .032 WALL	JD1820
12-A	1	JET, BURNER, GAS, NAT., BRASS, #51, .067	JD3027-A
12-B	1	JET, BURNER, GAS, LP, BRASS, #62, .038	JD3029
13-A	1	REGULATOR, CONVERSION, LP, TO NAT., ROBERT SHW	JD2366-C
13-B	1	REGULATOR, CONVERSION, NAT., TO LP, ROBERT SHW	JD2366-04

FIGURE 1-2 (Manifold, Burner, Inlet & Burner, Fitting, Nat. Gas, JP4900-B & LP. Gas, JP4900-A, Hpw1530, Assy)



ITEM NO.	QTY.	DESCRIPTION	PART NO.
1	1	VALVE,RELIEF,1200-2400 PSI,160F,3/8NPTM	JD7048-C
2	1	MANIFOLD, FITTINGS, STEEL,PLATED, ALL UNITS	JP7716
3	1	ELBOW,STREET,45°,STEEL,PLATED,3/8NPT	JD1678
4	1	BARB, HOSE, ELBOW, MALE, BRASS, 3/8HS X 3/8 NPT	JD7149
5	1	TEE, FEMALE, STEEL, PLATED, 3/8 NPT	JD3971
6	1	PLUG, SOCKET ,HEX,BRASS,3/8NPT	JD7151
7	1	VALVE,UNLOADER,PSI,1800PSI,6GPM	JD3324-F
8	1	SWITCH,PSI,SP,ST,NO,15A,230V,3/8NPT	JD3977

FIGURE 1-3 (Manifold, Valve, Fitting, JD8200, Hpw1530, Assy)



ITEM NO.	QTY.	DESCRIPTION	PART NO.
1	1	TANK, FLOAT, SS, BOLT-ON-ASSY-JB	JD8015
2	1	BARB HOSE 1/4 HOSE X 1/8 NPT	JD6132
3	1	VALVE, FLOAT, BRASS, 60PSI, 1/2" NPTM	JD2988-B
4	1	NUT, HEX, STEEL, PLATED, 1/4-20	JD 791
5	1	ROD, FLOAT, BENT, BRASS, 1/4 X 5-5/8 LONG	JD1416-02
6	1	BALL, FLOAT, PLASTIC, BLACK	JD1416-01
7	1	BARB,HOSE,ELBOW,MALE,PLASTIC,1/2HS X 3/4NPT	JD7058
8	1	STRAINER, WATER, SS, 30MESH, 47/64 O.D. X 3-1/8 LG	JD3843-B
9	2	BUSHING, REDUCER, HEX, BRASS, 3/4 X 3/8	JD3114
10	1	BARB, HOSE, ELBOW, MALE, BRASS, 3/8HS X 3/8NPT	JD7149

FIGURE 1-4 (Tank, Float, Fitting, JD8245-S, Hpw1530, Assy)



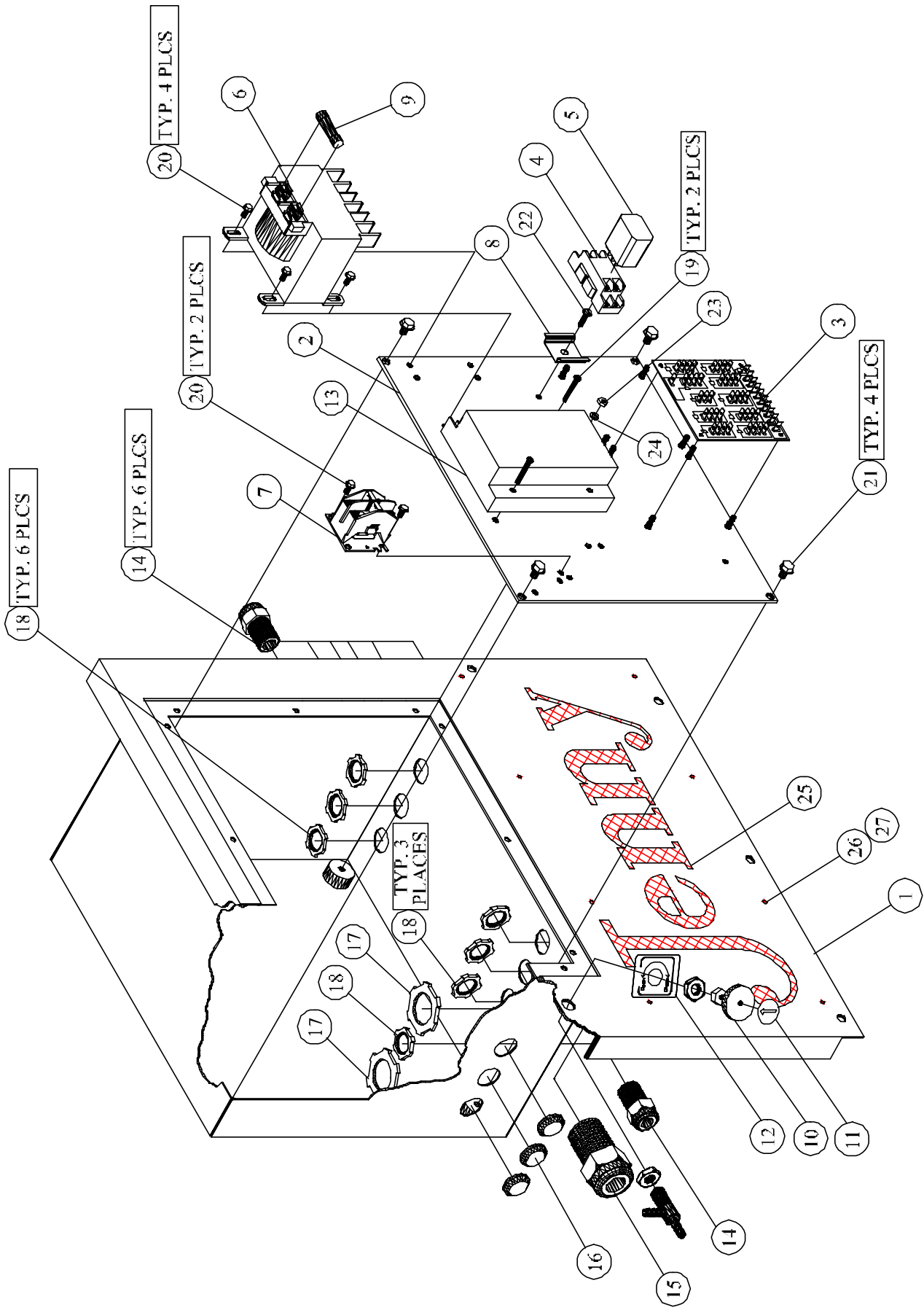
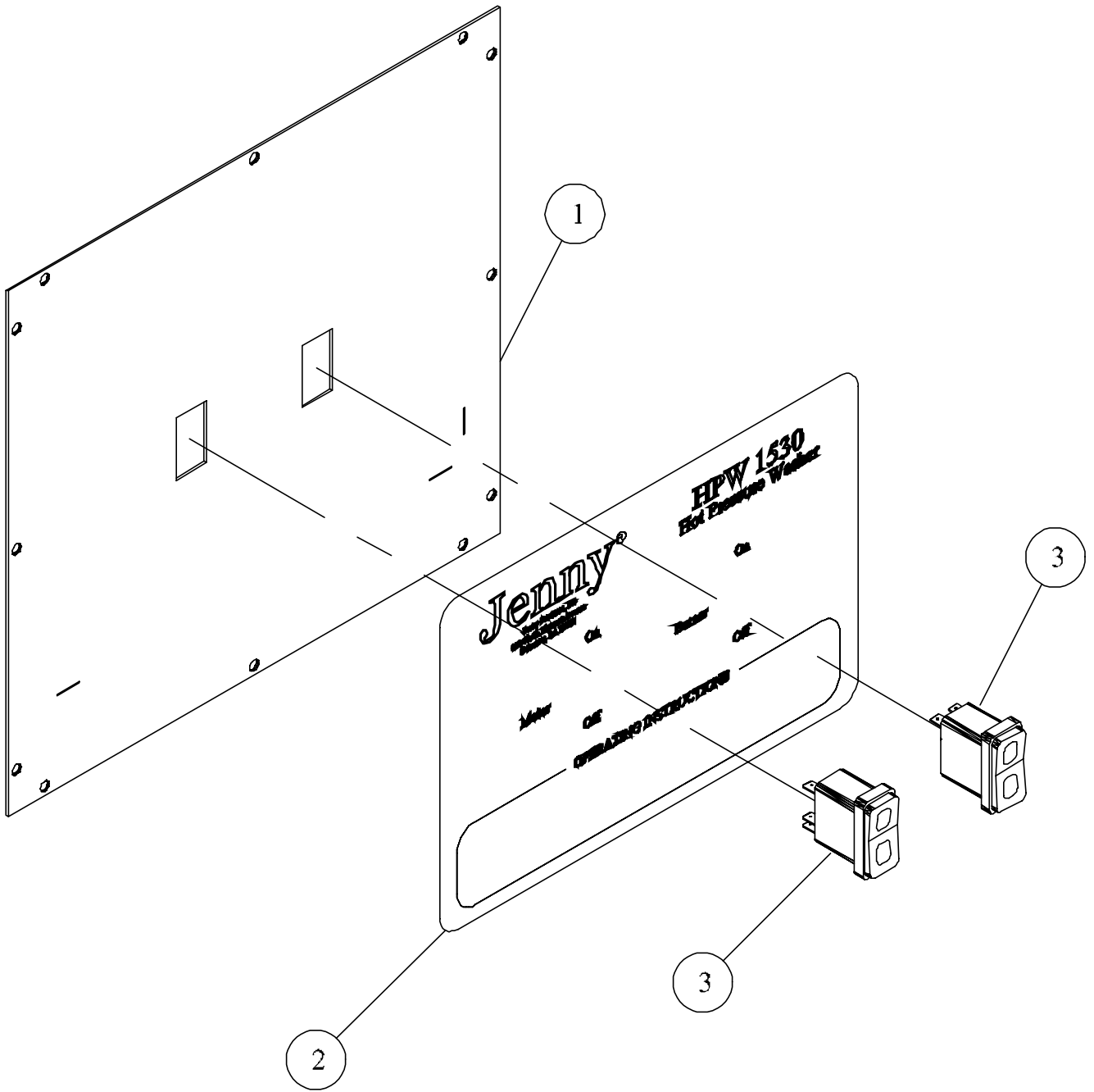


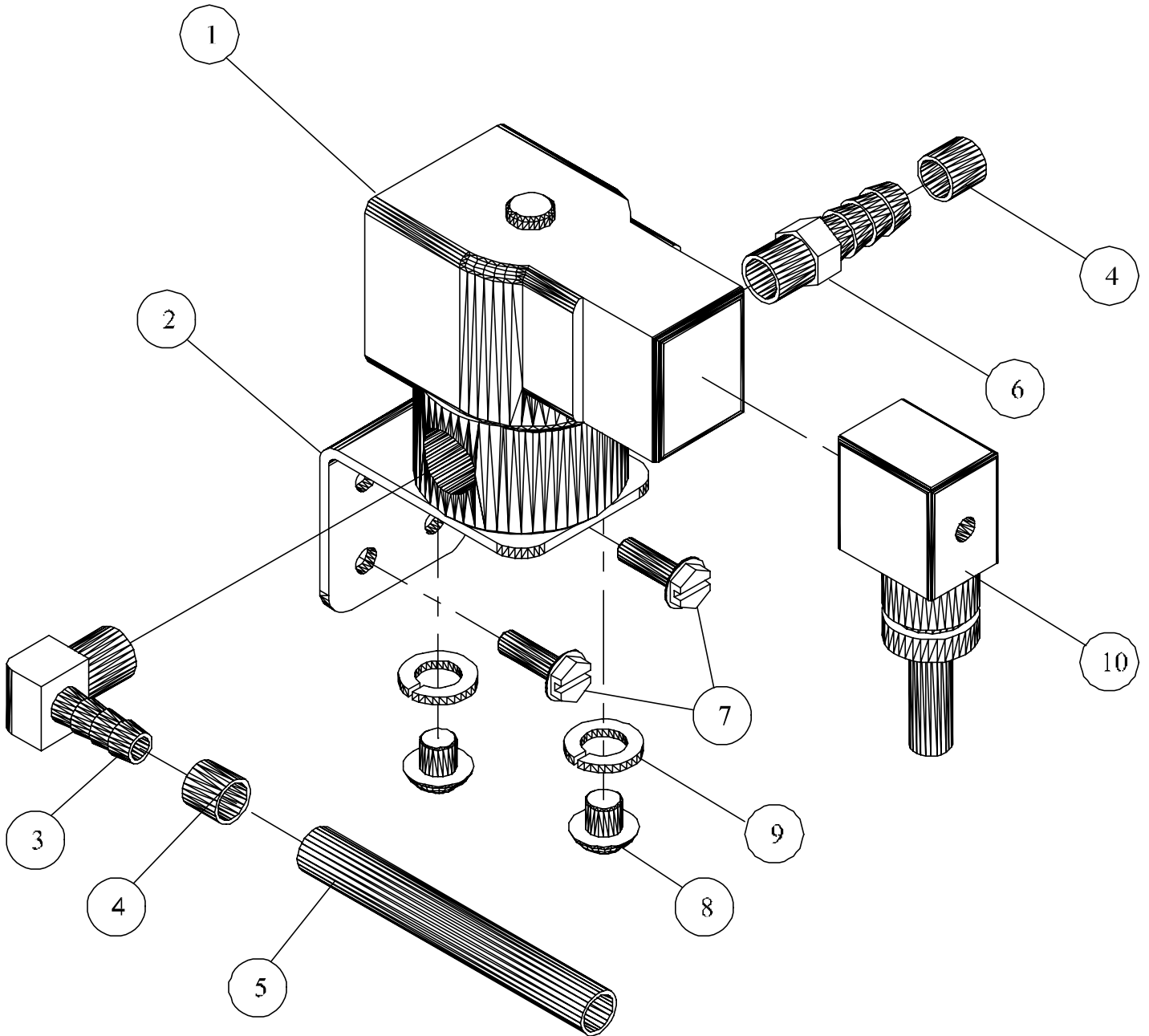
FIGURE 1-5 (Box, Junction, Panel, Front, 208-230/60/1PH, 30A, Gas, JE2003)

ITEM NO.	DESCRIPTION	QTY.	PART NO.
1	PANEL,CONTROL,BOX,JUNCTION,STL,PNTD,GES	1	JD8511
2	PLATE,MOUNTING,PANEL,CONT,BOX,JCT,ST,GES	1	JD8512
3	BOARD,CIRCUIT,PRINTED,ALL MACHINES	1	JB5000
4	BASE,RELAY,DP	1	JD7819-A
5	RELAY,DP,DT,24VAC	1	JD7819
6	TRNSFRMR,CTRL,OPN,100VA,120-460VP,24VS	1	JD2868
7	CONTACTOR,DP,OP,2P,30A,24V	1	JP3530-D
8	RAIL,DIN,STL,PLTD,TAIL,DOVE,1 3/8X5/16	0.16	JD7768-A
9	FUSE,ELEMENT,DUAL,DELAY,TIME,250V,6AMP	1	JD3107-11
10	VALVE,NEEDLE,SOLUTION,BRASS,1/4IDHS-BARB	1	JD6248-A
11	DECAL,INDICATOR,HANDLE,VALVE	1	JD7143
12	DECAL,SOLUTION,METERING,VALVE	1	JD7821
13	CONTROL,IGNITION,UNIT,LOCKOUT,SP745	1	JP7694-A
14	CONNECTOR,RELIEF,STRAIN,1/4-3/8,1/2 NPTM	6	JD1687-06
15	CONNECTOR,RELIEF,STRAIN,5/8-3/4,3/4NPTM	2	JD1687-17
16	PLUG,HOLE,PLASTIC,BLACK,7/8"	3	JD3856
17	NUT,LOCK,CONDUIT,STEEL,PLATED,3/4"	2	JD7728
18	NUT,LOCK,CONDUIT,STEEL,PLATED,1/2"	6	JP809
19	SCREW,MACHINE,PHILLIPS,ST,PL,8-32X1	2	JD838
20	SCREW,FLANGE,HEX,SERR,ST,PL,8-32x3/8	6	JD7901-B
21	SCREW,FLANGE,HEX,SERR,ST,PL,1/4-20X1/2	4	JD7904-A
22	SCREW,SLF DRL,HEX WASHER,PLTD,#10x5/8	1	JD7074-A
23	NUT,HEX,STEEL,PLATED,10-32	1	JD781
24	WASHER,LOCK,SPLIT,STEEL,PLATED,#10	1	JD624
25	SCREEN,COVER,MACHINE,ST,PAINTED	1	JP7720-01
26	RIVET,AL,.160-.164 HOLE,.063-.125 GRP,5/32	8	JP7720-02
27	WASHER,FLAT,SS,3/4 O.D.X 5/32 I.D. X 20 GAUGE	8	JP7720-03



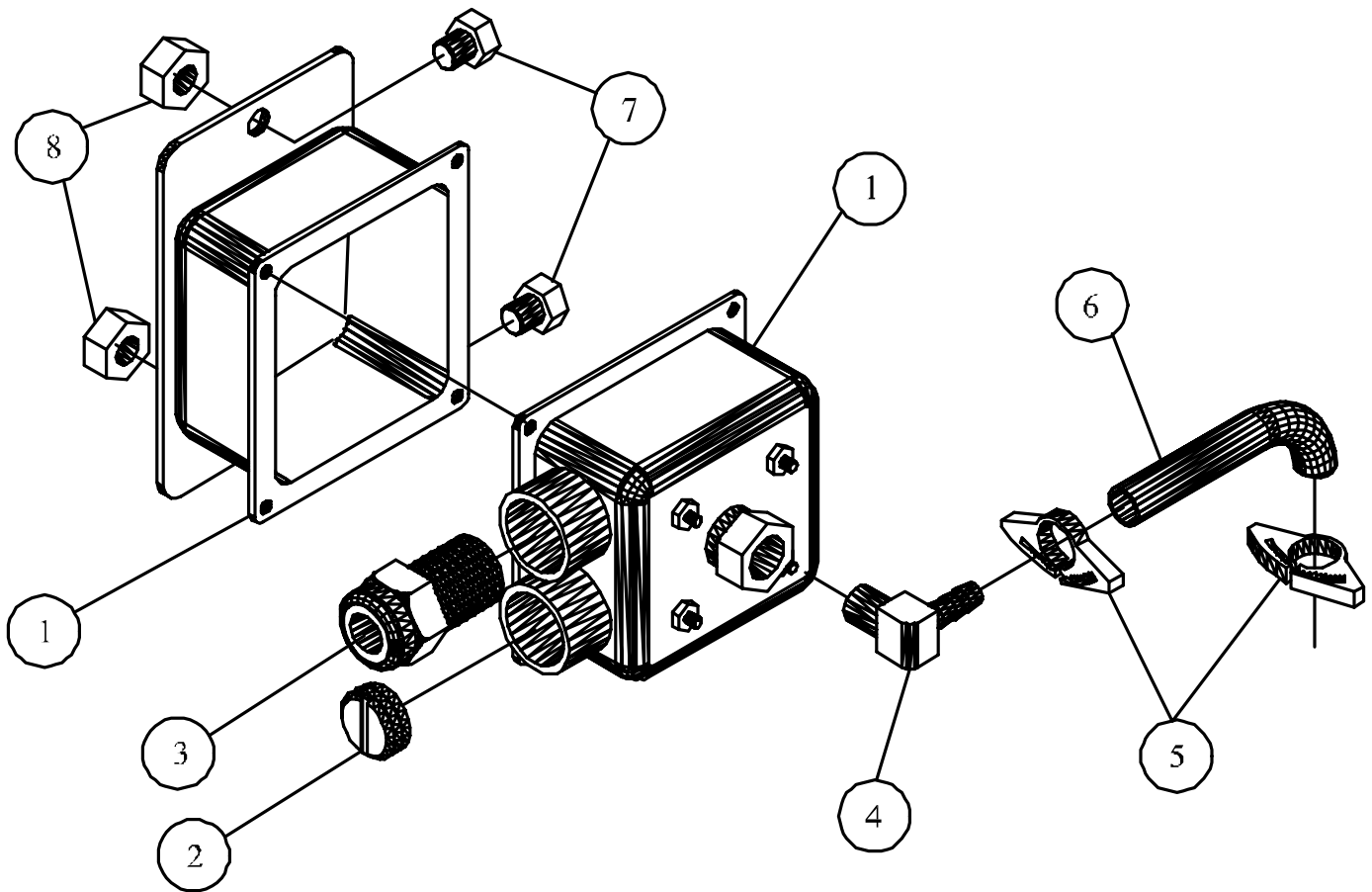
ITEM NO.	QTY.	DESCRIPTION	PART NO.
1	1	PLATE, COVER, PANEL, CONT, BOX, JUNC., HPW, GES	JD8513
2	1	DECAL, PANEL, INSTRUCTION, HPW1530, GES	JD8404
3	2	SWITCH, ROCKER, SP, ST, 10A, 24V, LED, LIGHT	JE1004

FIGURE 1-6(Panel, Instruction, Fitting, JD8514, Hpw1530, Assy)



ITEM NO.	QTY.	DESCRIPTION	PART NO.
1	1	VALVE, SOLENOID, SOLUTION, 24V, 1/4NPT	JD2162-F
2	1	BRACKET, MOUNTING, SOLUTION, SOLENOID	JD7760
3	1	BARB, HOSE, ELBOW, MALE, BRASS, 1/4HS X 1/4 NPT	JD7078
4	2	CLAMP, SLEEVE, PLASTIC, 3/8 I.D.	JD2759
5	1	TUBING, PVC, CLEAR, 3/8 O.D. X 1/4 I.D.	JD3087
6	1	BARB HOSE 1/4 HS X 1/4 NPT	JD2765
7	2	SCREW, SLF, DRL, HEX WASHER, PLTD, #10 X 5/8	JD7074-A
8	2	SCREW, MACHINE, PHILLIPS, ST, PL, 10-32 X 3/8	JD3234
9	2	WASHER, LOCK, SPLIT, STEEL, PLATED, #10	JD624
10	1	CONNECTOR, SOLENOID, RELIEF, STRAIN, DIN	JD7703

FIGURE 20-1 (VALVE, SOLUTION, SOLENOID, JD2162-F, ASSY)



ITEM NO.	QTY.	DESCRIPTION	PART NO.
1	1	SWITCH, PRESSURE, W/BRACKET, WELDED ASSY	JP7731
2	1	PLUG, HOLE, BOX, JUNCTION, 1/2 NPS	JD7719
3	1	CONNECTOR, RELIEF, STRAIN, 1/4-3/8, 1/2NPM	JD1687-06
4	1	BARB, HOSE, ELBOW, MALE, BRASS, 1/4HS X 1/4NPT	JD7078
5	2	CLAMP, HOSE, NYLON, BLACK, .406/.468 DIA	JD-7859-A
6	1	TUBING, PVC, REINFORCED, 1/4ID	JD7850
7	2	SCREW, FLANGE, HEX, SERR,ST, PL, 1/4-20 X 1/2	JD7904-A
8	2	NUT, LOCK, FLANGE, HEX, SERR, ST, PL, 1/4-20	JD7774-D

FIGURE 20-2 (SWITCH, PRESSURE, W/BRACKET, WELDED, JD7731, ASS'Y)

NOTE: REMOVE UPPER SWITCH IF OVER TEMP SWITCH IS USED

JW300 Gas Fired Hot Pressure Washer/Steam Cleaner 115v/230v 1PH

