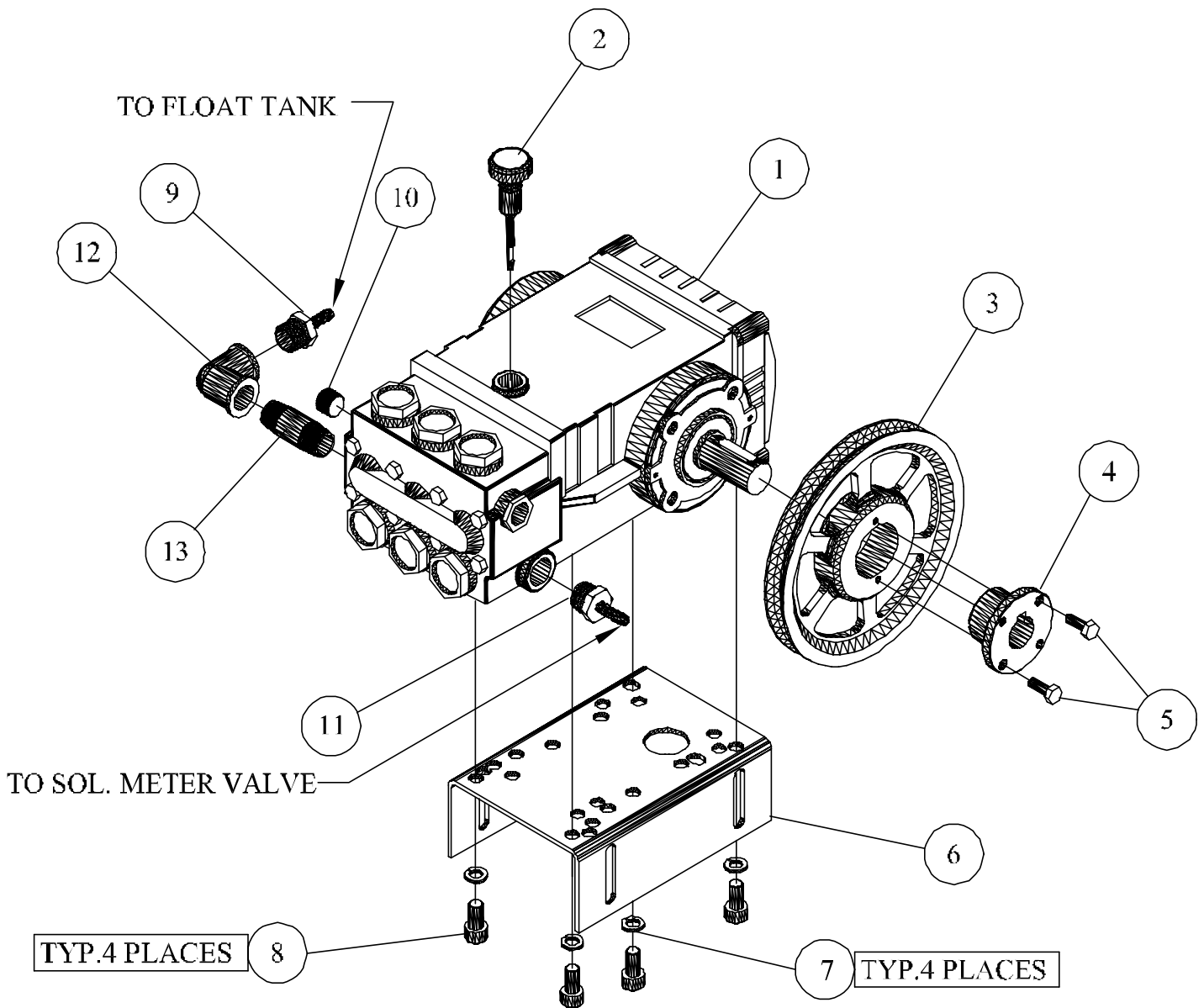


Jenny Products Inc.
 HPW 1530 OEP, 115V/60/PH, N/C, JB

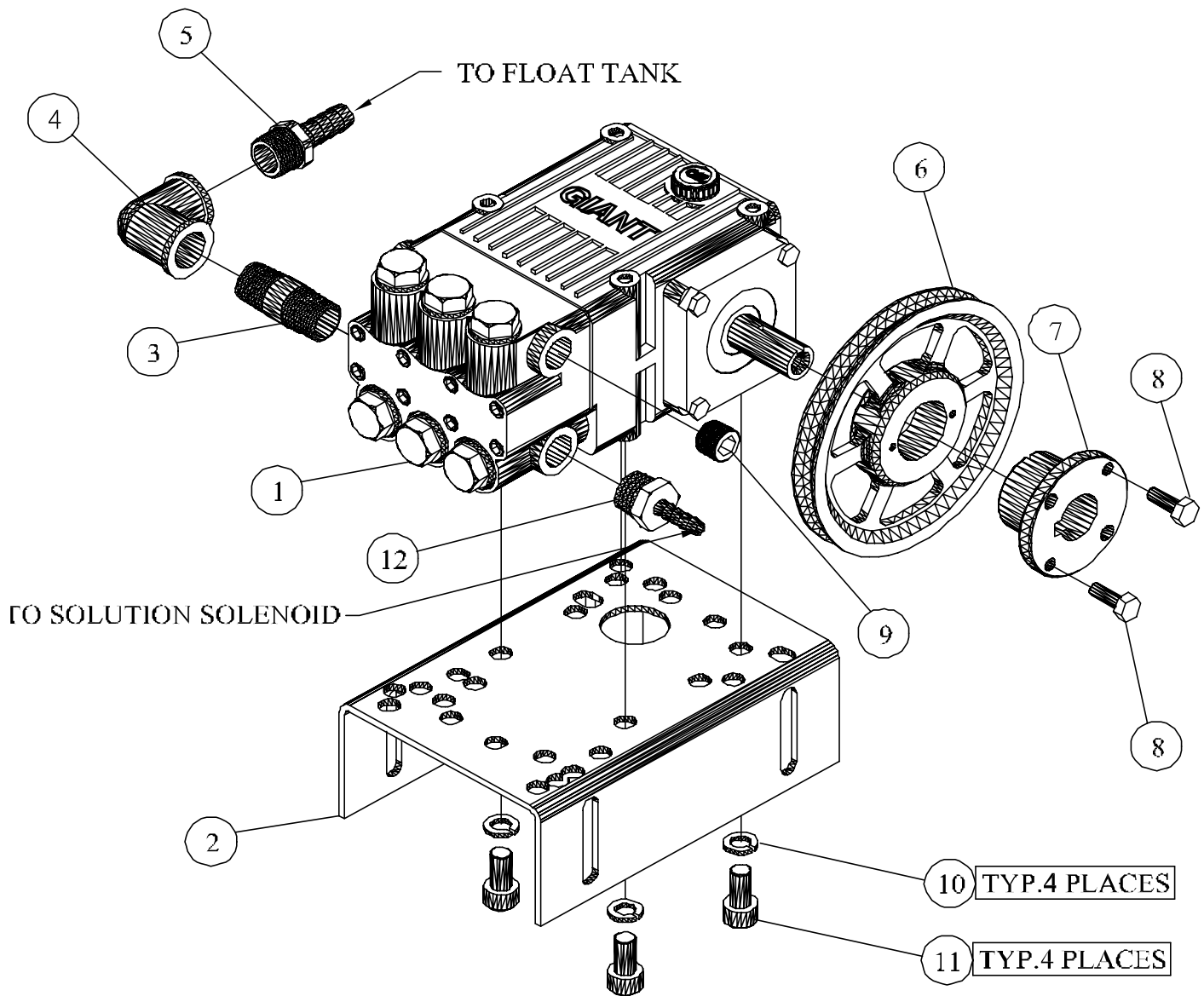
| HPW1530, OEP, N/C, JB 230V/60/1PH | | | |
|--|---|-------------|-----------------|
| PARTS LIST | | | |
| Notes: Figure 20- (Common Parts) | | | |
| Electrical Dia. Files Jw 103 | | | |
| ITEM NO. | DESCRIPTION | QTY. | PART NO. |
| 1 | CHASSIS, CHANNEL, MAIN, ST, PAINTED, OIL FIRED | 1 | JD8000 |
| 2 | ASSY SEE FIG 1-7 | 1 | JB2000 |
| 3 | ASSY SEE FIG 1-2 | 1 | JB1000 |
| 4 | ASSY SEE FIG 1-4 | 1 | JD8245 |
| 5 | TANK, FUEL, BOLT-ON, STEEL, PLATED, 6 GALLON | 1 | JD8003 |
| 6 | CASING, COIL, BOLT-ON, STEEL, PLATED, SMALL | 1 | JD8001 |
| 7 | GROMMET, RUBBER BLACK, 1-1/2 I.D. | 2 | JP 675 |
| 8 | DISC, INSULATION, CERAMIC, 14-3/8 OD X 4-1/8 X 3/8 | 1 | JD7238-A |
| 9 | COIL, OIL, FIRED, 3/8" PIPE, SCH40 | 1 | JP6379 |
| 10 | ELBOW, STREET, STEEL, PLATED, 3/8NPT | 1 | JD3717-03 |
| 11 | CORD, SET, FUEL, PUMP | 1 | JD3306-E |
| 12 | TEE, STREET, STEEL, PLATED, 3/8"NPT | 1 | JD 860-02 |
| 13 | THERMOSTAT,IMMERSION,SP,ST,NC,240 DEG F | 1 | JD7137 |
| 14 | PLUG, QUICK COUPLING, BRASS, 3/8"NPTF | 1 | JD3103-05 |
| 15 | HOSE, FUEL, ASSY, 1/4" X 42" L, HP W | 2 | JD8246 |
| 16 | HOSE, SOLVENT, NEOPRENE, 1/2" I.D. | 3 | JD 946 |
| 17 | TUBING, PVC, REINFORCED, 3/8"ID | 1 | JD7575 |
| 18 | SOCKET, QUICK COUPLING, BRASS, 3/8"NPTF | 1 | JD3102-05 |
| 19-A | ASSY SEE FIG 1-1A | 1 | JD8300 |
| 19-B | ASSY SEE FIG 1-1B | 1 | JD8300-B |
| 20 | PANEL, COVER, REAR, STEEL, PAINTED, NS | 1 | JD8006 |
| 21 | WIRE, SJO, CPE, BLACK, 12/3 | 2.5 | JE 432 |
| 22 | CONNECTOR, RELIEF, STRAINER, 1/4-3/8, 1/2NPT | 1 | JD1687-06 |
| 23 | BELT, VEE, FHP, COG, 4L220 | 1 | JD3792 |
| 24 | PULLEY, CRS, SG, 2.2" OD X 1/2" I.D. | 1 | JD7835 |
| 25 | BELT, VEE, COG, AX39 | 1 | JD7713 |
| 26 | BUSHING, PULLEY, TAPERED, 1-1/8"BORE | 1 | JD3915-04 |
| 27 | PULLEY, CI, DG, TH, 2BK47H, 3.7 PDA, 4.1PDB | 1 | JD3904-05 |
| 28 | ASSY SEE FIG 1-3 | 1 | JD8200 |
| 29 | STRAINER, CHEMICAL, BRASS, 1/4" HOSE BARB | 1 | JD7140-A |
| 30 | MOLDING, RUBBER, FOAM, ADHESIVE, 1/2WX1/8T | 1 | JD3782-B |
| 31 | ASSY SEE FIG 1-5 | 1 | JE2000 |
| 32 | ASSY SEE FIG 1-6 | 1 | JD8009 |
| 33 | INSULATION, CERAMIC, 1.5X21X43, 8#- DENSITY | 1 | JP3947-B |
| 34 | MOTOR, 3HP, 208-230/60/1, 1725RPM, TEFC, F2 | 1 | JB3009 |
| 35 | CASTER, SWIVEL, W/BRAKE, 5" DIA X 2" FACE | 1 | JD3217-01 |
| 36 | CASTER, SWIVEL, WOUT/BRAKE, 5" DIA X 2" FACE | 1 | JD3217-02 |
| 37 | AXLE, CHASSIS, STEEL, PLATED, 3/4" OD X 24" O/L | 1 | JD8010 |
| 38 | WHEEL, PNEUMATIC, 10" O.D. X 3/4 I.D., BALL BEARING | 2 | JP2643-F |
| 39 | COLLAR, SCREW, SET, STEEL, PLATED, 3/4" I.D. | 2 | JD7777 |
| 40 | CORD, DROP, GFCI, 240V, 20A, 40FT | 1 | JD7179-E |
| 41 | WIRE, IGNITION, BURNER, ASSY, 50000 V | 2 | JD8247 |
| 42 | HOSE, HYD, 3K, PSI, 17" L, 3/8NPTM, 3/8NPTM | 1 | JD7817 |
| 43 | HOSE, HYD, 3K, PSI, 36"L, 3/8NPTM, 3/8NPTF | 1 | JD7818-A |
| 44 | TUBING, PVC, CLEAR, 3/8, O.D.X1/4ID | 1.5 | JD3087 |
| 45 | RING, FLAT, CASING, COIL, SS | 1 | JP 574-A |
| 46 | RING, CASING, COIL, SS, 5-15/16 I D | 1 | JP4813-A |
| 47 | COVER, SS, ASSY, OEP, NEW, JB, MACH | 1 | JD8248 |
| 48 | RECEPTICAL, CLIP-ON, STEEL, DACROTIZED | 6 | JP7733-01 |

| | | | |
|-----------|--|----|-----------|
| 49 | DECAL, NUMBER, MODEL, HPW1530, BLUE, LARGE | 2 | JD8453 |
| 50 | SCREW, SLF, TAP, PHILLIP, ST, PL, 8-32 X 3/8 | 10 | JD3043 |
| 51 | SCREW, SLF, DRL, HEX, WASHER, PLTD, #10 X 5/8 | 7 | JD7074-A |
| 52 | SCREW, FLANGE, HEX, SERR, ST, PL, 1/4-20 X 1/2 | 12 | JD7904-A |
| 53 | SCREW, FLANGE, HEX, SERR, ST, PL, 5/16-18 X 1/2 | 10 | JD7905 |
| 54 | SCREW, FLANGE, HEX, SERR, ST, PL, 5/16-18 X 3/4 | 4 | JD7905-B |
| 55 | SCREW, FLANGE, HEX, SERR, ST, PL, 3/8-16 X 3/4 | 4 | JD7906-A |
| 56 | SCREW, CAP, HEX, HD, ST, PL, FLT, 3/8-16 X 2-1/4" | 2 | JD7035 |
| 57 | SCREW, CARRIAGE, GR5, ST, PL, 3/8X6 | 2 | JD7798 |
| 58 | SCREW, SLF, TAP, HEX, WASHER, PLATED, 10-32X 1/2 | 1 | JD6219 |
| 59 | NUT, LOCK, FLANGE, HEX, SERR, STEEL, PLATED, 5/16-18 | 4 | JD7774-E |
| 60 | NUT, LOCK, FLANGE, HEX, SERR, ST, PL, 3/8-16 | 6 | JD7774-F |
| 61 | SOCKET, QUICK COUPLING, BRASS, 1/4"NPTF | 1 | JD3102-02 |
| 62 | CLAMP, GEAR, WORM, SS, 7/32 TO 5/8 DIAMETER | 2 | JD3068 |
| 63 | CLIP, SEPARATOR, WIRE, IGNITION, 7MM, 2-WIRE | 4 | JD7831 |
| 64 | CLIP, SEPARATOR, WIRE, IGNITION, 7MM, 3-WIRE | 2 | JD7832 |
| 65 | GROMMET, RUBBER, BLACK, 5/8" I.D. | 3 | JD3385 |
| 66 | FILTER, OIL, FUEL, W/HEAD, 3/8NPT | 1 | JD2117 |
| | REPLACEMENT, FILTER, OIL, FUEL, CARTRIDGE, SPIN-ON | 1 | JD2117-01 |
| 67 | CONNECTOR, MALE, BRASS, 1/4-45 SAE X 3/8 NPT | 1 | JD1277 |
| 68 | CONNECTOR, MALE, BRASS, 1/4-45 SAE X 1/4 NPT | 1 | JD 659 |
| 69 | CLAMP, SLEEVE, PLASTIC, 3/8 ID | 4 | JD2759 |
| 70 | GUN, TRIGGER, 2200PSI, 6GPM, 212F | 1 | JD7154 |
| 71 | NOZZLE, SPRAY, PSI, SS, QCK, CON, 0 DEG, O # 5.0 | 1 | JD7755-02 |
| 72 | NOZZLE, SPRAY, PSI, SS, QCK, CON, 15DEG, O # 5.0 | 1 | JD7756-02 |
| 73 | NOZZLE, SPRAY, PSI, SS, QCK, CON, 25 DEG, O # 5.0 | 1 | JD7757-02 |
| 74 | NOZZLE, SPRAY, PSI, SS, QCK, CON, 40 DEG, O # 5.0 | 1 | JD7758-02 |
| 75 | LANCE, INSULATED, STEEL, ZINC-PLATED, 1/4X36 | 1 | JP7080-O |
| 76 | GROMMET, RUBBER, BLACK, 7/16" I.D. | 5 | JD3385-01 |
| 77 | HOSE, WASH, PRESSURE, 3000PSI, 250F, 3/8X50FT | 1 | JD7790-A |
| 78 | DECAL, NAMEPLATE, OIL, FIRED | 1 | JD6251-05 |
| 79 | DECAL, CLEAR, MYLAR | 1 | JD6251-08 |
| 80 | CLAMP, HOSE, NYLON, BLACK, .750/.875 DI A | 2 | JD7859-F |
| 81 | CAP, FILLER, FUEL, STEEL, PLATED, 1/4 TURN | 1 | JD3174 |
| 82 | PLUG, TRISURE, STEEL, PLATED, 3/4" NPTM | 1 | JD1339 |
| 83 | TUBING, COPPER, ASSY, BURNER, F. PUMP-SOL, JB | 1 | JD1722-U |
| 84 | DECAL, DANGER, WARNING, CAUTION, LARGE | 1 | JD7239 |
| 85 | DECAL, NOTICE, GROUND, 4MILTHK, 5YRWHT | 1 | JD2344-01 |
| 86 | SCREW, PHILLIPS, HEAD, "N", COVER | 6 | JP7733 |
| 87 | RETAINER, SCREW, PHILLIPS, HEAD, "N" | 6 | JP7733-02 |
| NOT SHOWN | TAG, WARNING, ELECTRIC, CORD | 1 | JD7075 |
| NOT SHOWN | DECAL, PACKED, GROOMED, TESTED | 1 | JD6013 |
| NOT SHOWN | DECAL, MADE-IN-THE-USA, JENNY | 1 | JD6211 |
| NOT SHOWN | TAG, TESTED, FUEL | 1 | JD7196-01 |
| NOT SHOWN | DECAL, FUEL, OIL, MYLAR, BLUE, 1" X 4" | 1 | JD2345 |



| ITEM NO. | QTY. | DESCRIPTION | PART NO. |
|----------|------|---|-----------|
| 1 | 1 | PUMP, PLUNGER, TRIPLEX, 2200 PSI, 4.0 GPM, AR | JD7955 |
| 2 | 1 | OIL, DIP, STICK, (RECEIVED W/PUMP) | |
| 3 | 1 | PULLEY, CI, SG, TH, AK66H, 6.2 PDA, 5.86 D3L | JD3904-02 |
| 4 | 1 | BUSHING, PULLEY, TAPERED, 24MM BORE | JD3915 |
| 5 | 2 | H.H.B. 1/4-20 UNC-3/4 CLASS 5 RECEIVED W/BUSHING | |
| 6 | 1 | PLATE, MOUNTING, PUMP, STEEL, PAINTED, | JD8016 |
| 7 | 4 | WASHER, LOCK, 5/16 | JD 612 |
| 8 | 4 | SCREW, CAP, HEX, HEAD, ST, PLATED, M8-1.25 X 16MM | JD7258 |
| 9 | 1 | BARB, HOSE, MALE, BRASS, 1/2 HS X 1/2 NPTM | JD7077-A |
| 10 | 1 | PLUG, SOCKET, HEX, BRASS, 3/8 NPT | JD7151 |
| 11 | 1 | BARB, HOSE, MALE, BRASS, 1/4 HS X 1/2 NPTM | JD7826 |
| 12 | 1 | ELBOW, FEMALE, BRASS, FORGED, 1/2 NPT | JD 692-02 |
| 13 | 1 | NIPPLE, BRASS, 1/2 NPT X 1-1/2 LONG | JD3094-01 |

FIGURE 1-1 (Pump, Mounting, Fitting, JD8300, Hpw1530OEP, Ass'y)



| ITEM NO. | QTY. | DESCRIPTION | PART NO. |
|----------|------|---|-----------|
| 1 | 1 | PUMP, PLUNGER, TRIPLEX, 2500PSI, 4.2GPM, GIA | JD7700 |
| 2 | 1 | PLATE, MOUNTING, PUMP, STEEL, PLATED, JB | JD8016 |
| 3 | 1 | NIPPLE, BRASS, 1/2NPT X 1-1/2LONG | JD3094-01 |
| 4 | 1 | ELBOW, FEMALE, BRASS, FORGED, 1/2NPT | JD 692-02 |
| 5 | 1 | BARB, HOSE, MALE, BRASS, 1/2HSX1/2NPT | JD7077-A |
| 6 | 1 | PULLEY, C1, SG, TH, AK56H, 5.2PDA, 4.86PD3L | JD3903-D |
| 7 | 1 | BUSHING, PULLEY, TAPERED, 24MM BORE | JD3915 |
| 8 | 2 | H.H.B. 1/4-20 UNC - 3/4 CLS 5 RECEIVED, W/BUSHING | |
| 9 | 1 | PLUG, SOCKET, HEX, BRASS, 3/8NPT | JD7151 |
| 10 | 4 | WASHER, LOCK, 5/16 | JD 612 |
| 11 | 4 | SCREW, CAP, HEX, HEAD, ST, PLTD, M8-1.25 X 16 MM | JD7258 |
| 12 | 1 | BARB, HOSE, MALE, BR, 1/4HSX1/2NPTM | JD7826 |

FIGURE 1-1B (PUMP, MOUNTING & FITTING, JD8300-B, HPW1530 ASS'Y)

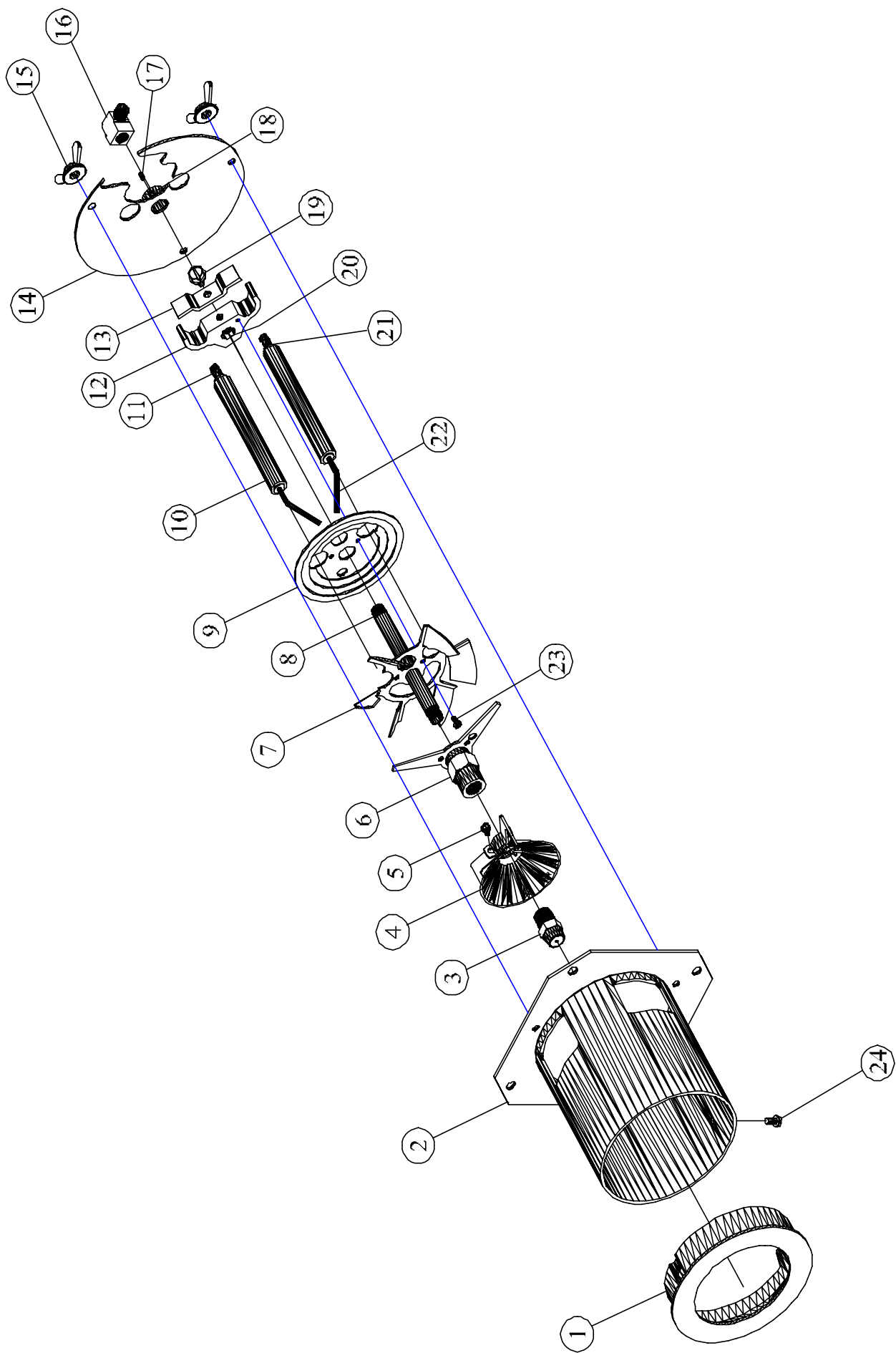
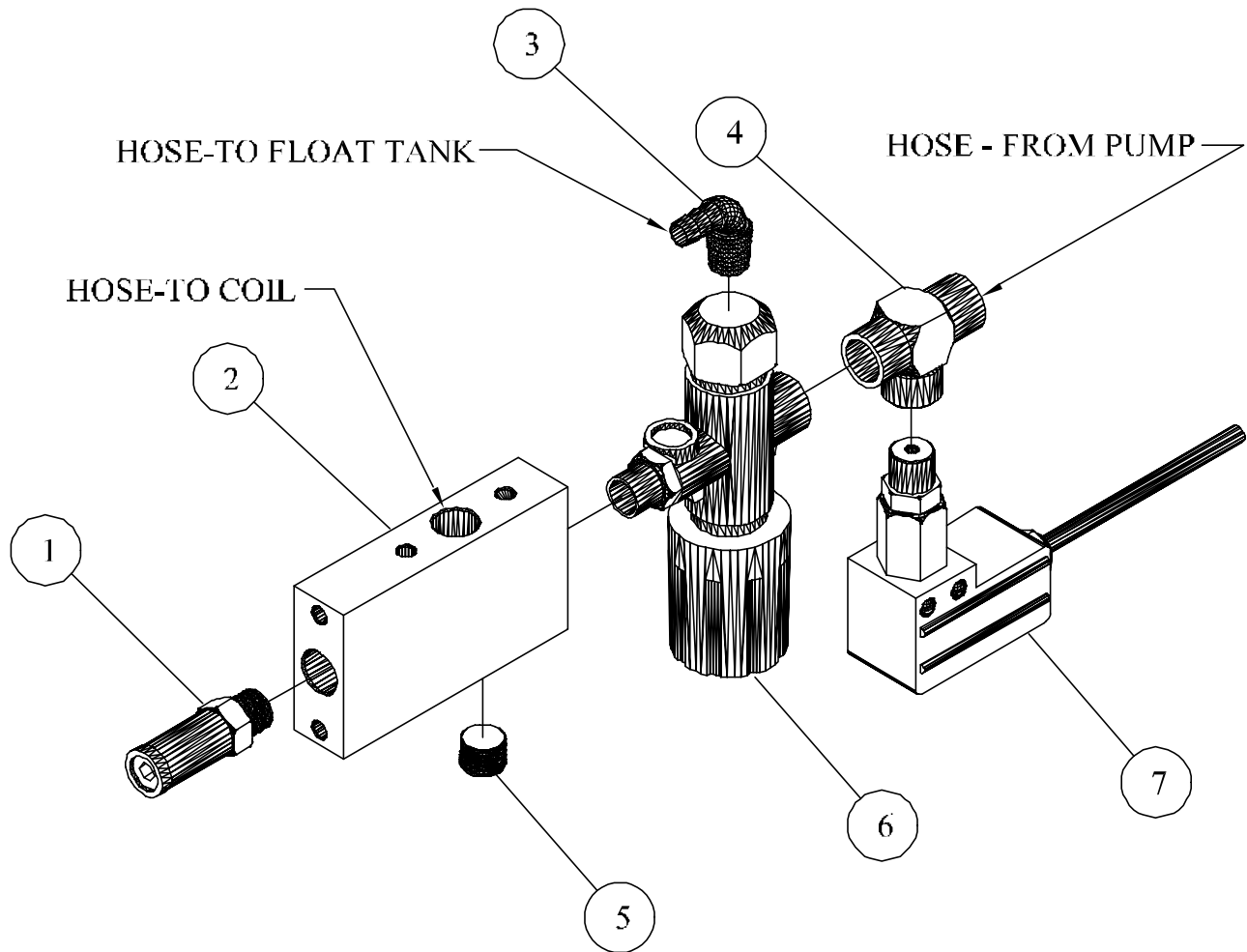


FIGURE 1-2 (Burner, Gun, Oil, Double, Electrode JB1000, Hpw1530 OEP, Assy)

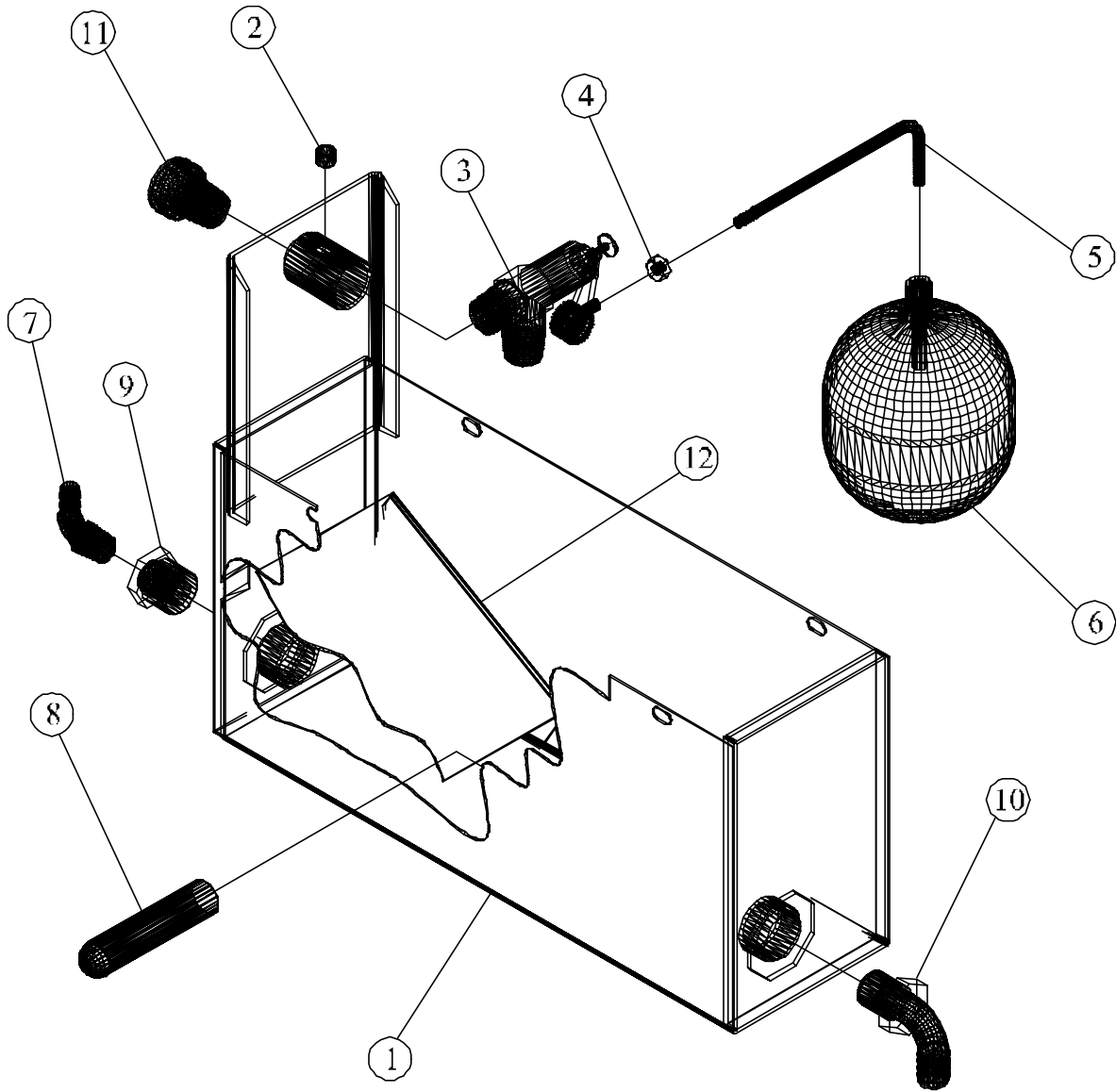
**BURNER, GUN, OIL, DOUBLE, ELECTRODE
JB1000, ASSY**

| ITEM NO. | DESCRIPTION | QTY. | PART NO. |
|-----------------|--|-------------|-----------------|
| 1 | CONE, AIR, MI, 4.0 O.D. X 3.0 I.D. X .875 LONG | 1 | JB1002 |
| 2 | TUBE, AIR, STEEL, 4.25 O.D. X 4.0 I.D. X 4.50 LONG ASSY | 1 | JB1001 |
| 3 | NOZZLE, BURNER, OIL, 1.75 GPH, 80 DEG S.C. (ON MACHINE B.O.M.) | 1 | JB1510 |
| 4 | FLAME LOCK, STAINLESS, 10 VANE, 2.5" CONE | 1 | JB1007 |
| 5 | SCREW, SELF TAP, HEX, WASH, STEEL, PLATED, 6-32 X 3/8 | 1 | JB1014 |
| 6 | ADAPTER, NOZZLE, BRASS, W/LEG, SUPPORT | 1 | JB1006 |
| 7 | WHIRLER, STEEL, PLATED, 6 VANE, 3-11/16 O.D. | 1 | JD1010 |
| 8 | NIPPLE, STEEL, SCH40, 1/8" NPT X 4" LONG | 1 | JB1004 |
| 9 | PLATE, STEEL, PLATED, DISC, SOLID, 3-3/8 O.D. | 1 | JB1009 |
| 10 | INSULATOR, ELECTRODE, CERAMIC, GLAZED, 4" | 2 | JB1015-01 |
| 11 | CONNECTOR, SPARK PLUG, RAJAH, 100734-002 | 2 | JB1015-04 |
| 12 | SUPPORT, ELECTRODE, ALUMINUM | 1 | JB1008 |
| 13 | CLAMP, ELECTRODE, STEEL, 13 GA. X .5 X 2.0 | 1 | JB1011 |
| 14 | PLATE, BURNER, STEEL, 14 GA X 5.25 DIAMETER | 1 | JB1003 |
| 15 | NUT, WING, STEEL, FORGED, PLATED, 10-24 | 3 | JD2186 |
| 16 | ELBOW, FEMALE, BRASS, 1/4-45 SAE X 1/8 NPTF | 1 | JB1018 |
| 17 | SCREW, SET, HEX, CUP POINT, NYLK, 1/4-20X1/4 | 1 | JE 895 |
| 18 | COLLAR, STEEL, .875 O.D. X .437 I.D. X .437 LONG | 1 | JB1005 |
| 19 | SCREW, MACHINE, HEX, WSHR, ST, PLATED, 10-24 X 5/16 | 1 | JB1013 |
| 20 | SCREW, SET, HEX, CUP POINT, 10-24 X 1/4 | 1 | JB1012 |
| 21 | NUT, LOCK, FLANGE, HEX, ST, PL, #6-32 | 2 | JB1015-03 |
| 22 | ELECTRODE, BENT RADIUS, TUNGSTEN | 2 | JB1015-02 |
| 23 | SCREW, SELFTAP, HEX WASH, ST, PL, 4-40 X 3/8 | 1 | JB1016 |
| 24 | SCREW, MACHINE, PHILLIPS, ST, PL, FL, 8-32 X 3/8 | 1 | JB1017 |



| ITEM NO. | QTY. | DESCRIPTION | PART NO. |
|----------|------|---|----------|
| 1 | 1 | VALVE,RELIEF,1200-2400 PSI,160F,3/8NPTM | JD7048-C |
| 2 | 1 | MANIFOLD, FITTINGS, STEEL,PLATED, ALL UNITS | JP7716 |
| 3 | 1 | BARB, HOSE, ELBOW, MALE, BRASS, 3/8HS X 3/8 NPT | JD7149 |
| 4 | 1 | TEE, FEMALE, STEEL, PLATED, 3/8 NPT | JD3971 |
| 5 | 1 | PLUG, SOCKET ,HEX,BRASS,3/8NPT | JD7151 |
| 6 | 1 | VALVE,UNLOADER,PSI,1800PSI,6GPM | JD3324-F |
| 7 | 1 | SWITCH,PSI,SP,ST,NO,15A,230V,3/8NPT | JD3977 |

FIGURE 1-3 (Manifold, Valve, Fitting, JD8200-A, Hpw1530 OEP, Ass'y)



| ITEM NO. | QTY. | DESCRIPTION | PART NO. |
|----------|------|--|-----------|
| 1 | 1 | TANK, FLOAT, SS, BOLT-ON, ASSY | JD8015 |
| 2 | 1 | PLUG, SOCKET, HEX, BRASS, 1/8NPT | JD7243 |
| 3 | 1 | VALVE,FLOAT,BRASS,60PSI,1/2"NPTM | JD2988-B |
| 4 | 1 | NUT, HEX, STEEL, PLATED, 1/4-20 | JD 791 |
| 5 | 1 | ROD, FLOAT, BENT, BRASS, 1/4 X 5-5/8 LG X 1/4-20 | JD1416-02 |
| 6 | 1 | BALL, FLOAT, PLASTIC, BLACK | JD1416-01 |
| 7 | 1 | BARB,HOSE,ELBOW,MALE,BRASS,3/8HS X 3/8NPT | JD7149 |
| 8 | 1 | STRAINER, WATER, SS, 30MESH, 47/64 O.D. X 3-1/8 LG | JD3843-B |
| 9 | 2 | BUSHING, REDUCER, HEX, BRASS, 3/4 X 3/8 | JD3114 |
| 10 | 1 | ELBOW, BARB, HOSE, MALE, PLASTIC, 1/2HS X 3/4NPT | JD7058 |
| 11 | 1 | CONNECTOR,BR,3/4GARDEN HOSEX1/2NPTM,SWIV | JD7142 |
| 12 | 1 | BAFFLE,TANK,FLOAT,REMOVABLE | JP3385-08 |

FIGURE 1-4 (Tank, Float, Fitting, JD8245, Hpw1530 OEP, Ass'y)

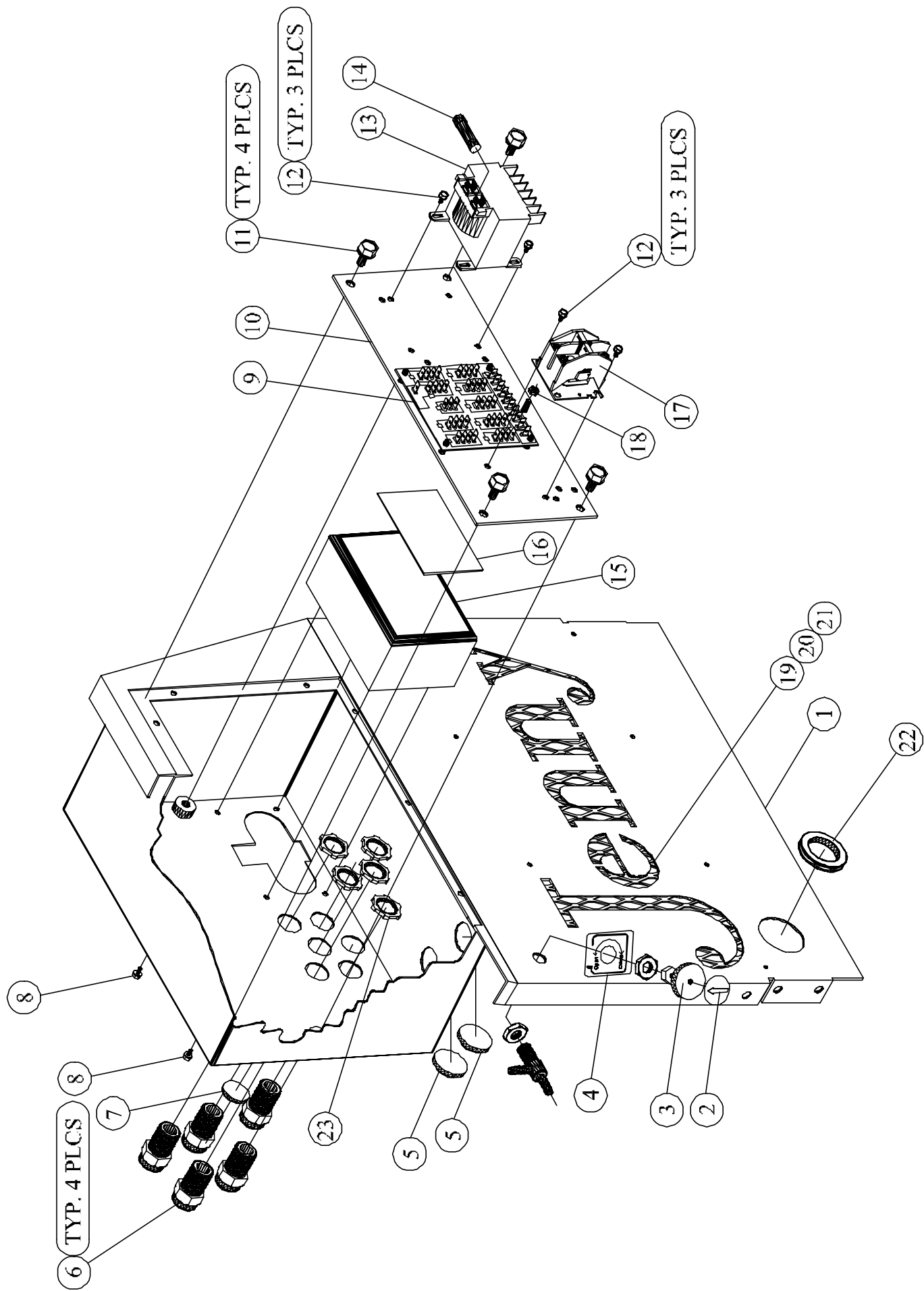
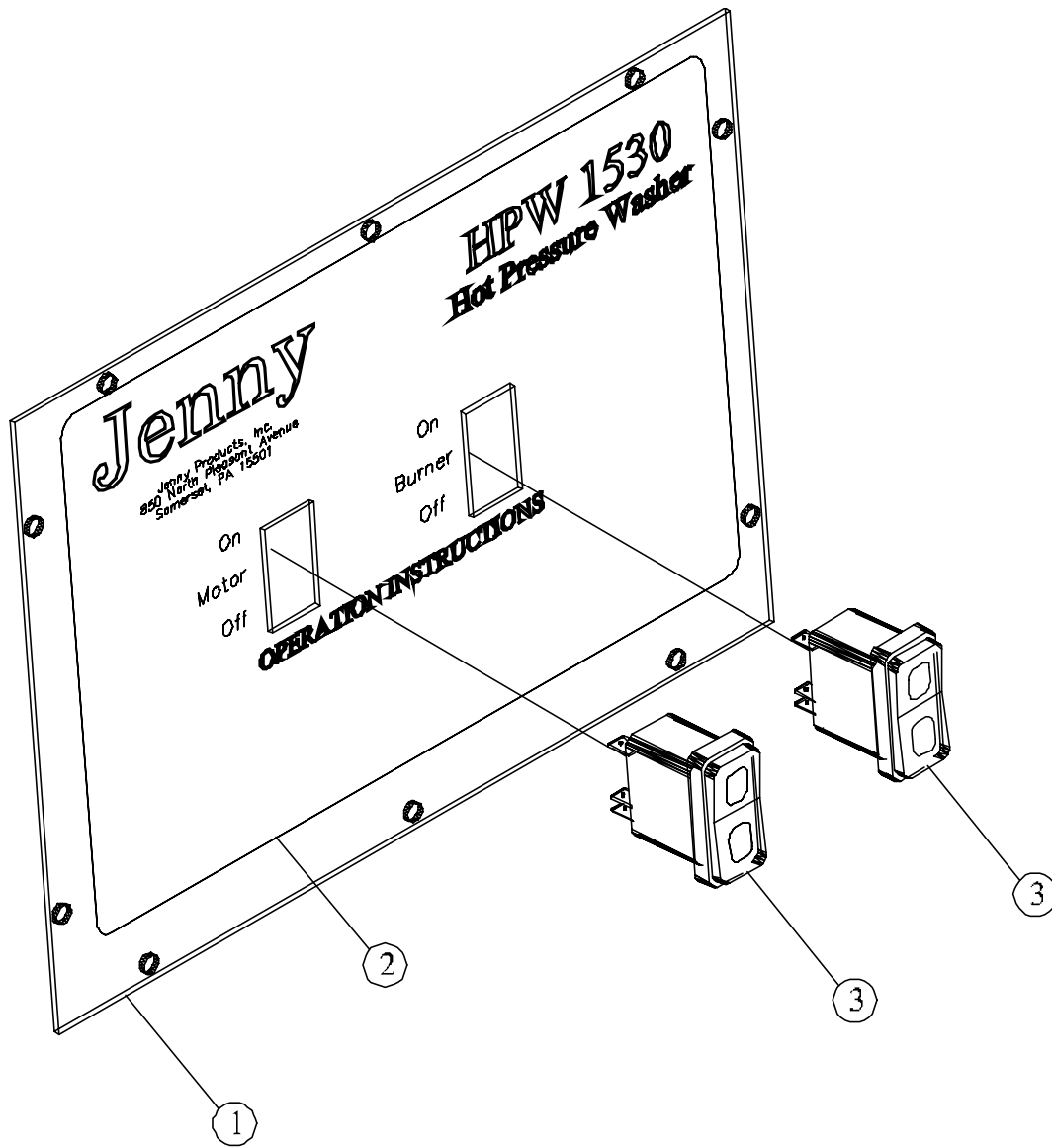


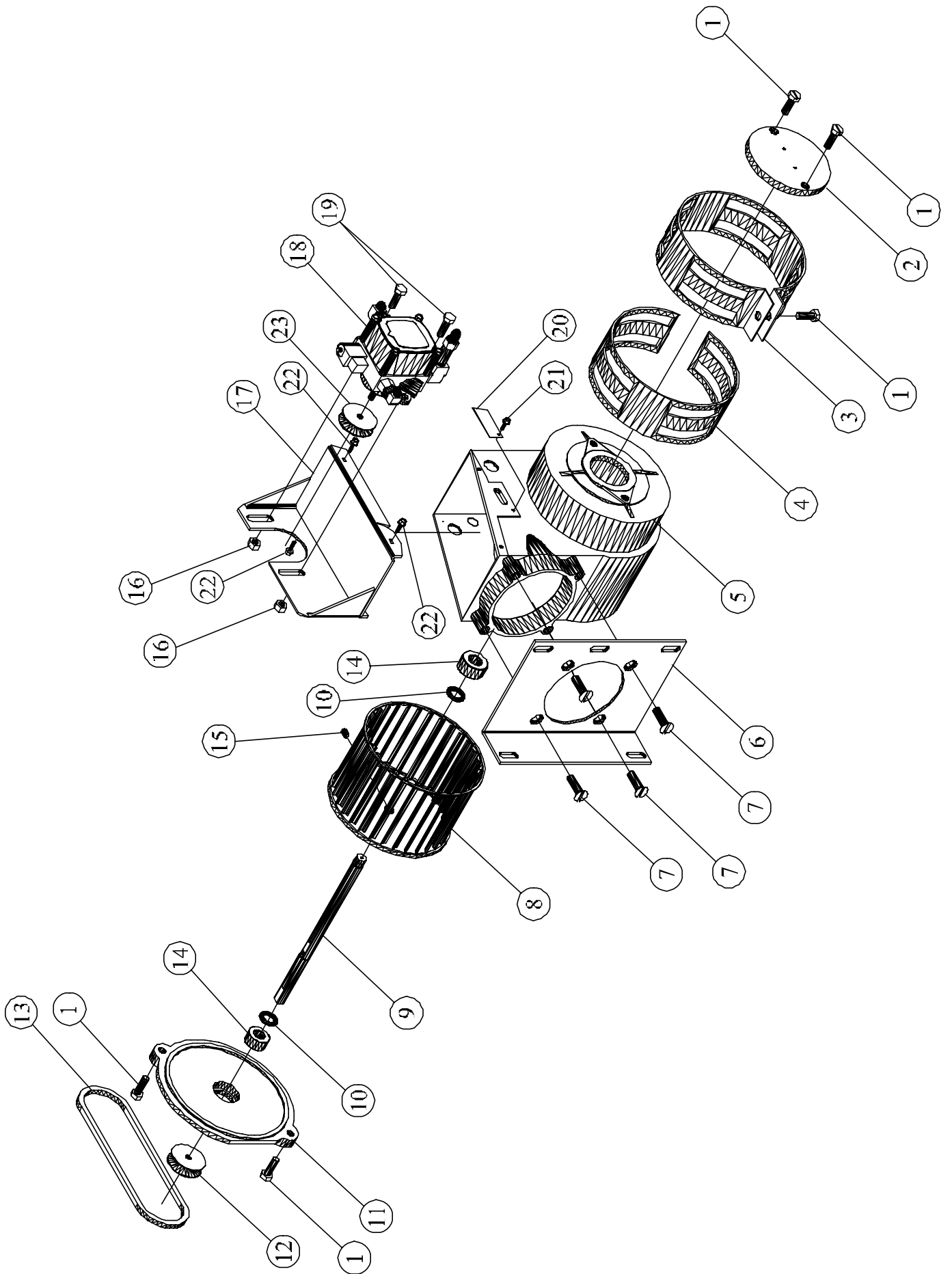
FIGURE 1-5 (Box, Junction, Panel, Front, 230/ 1PH, 30A, JE2000, Hpw1530, OEP, Assy)

| ITEM NO. | DESCRIPTION | QTY. | PART NO. |
|-----------------|---|-------------|-----------------|
| 1 | PANEL, CONTROL, BOX, JUNCTION, STEEL, PAINTED | 1 | JD8007 |
| 2 | DECAL, INDICATOR, HANDLE, VALVE, SOLUTION | 1 | JD7143 |
| 3 | VALVE, NEEDLE, SOLUTION, BRASS, 1/4 IDHS-BARB | 1 | JD6248-A |
| 4 | DECAL, SOLUTION, METERING, VALVE | 1 | JD7821 |
| 5 | PLUG, HOLE, PLASTIC, BLACK, 1.093 | 2 | JD3856-05 |
| 6 | CONNECTOR,RELIEF,STRAIN,1/4-3/8,1/2NPTM | 5 | JD1687-06 |
| 7 | PLUG, HOLE, PLASTIC, BLACK, 7/8" | 1 | JD3856 |
| 8 | SCREW, FLANGE, HEX, SERR, ST, PL, 6-32 X 3/8 | 4 | JD7900-A |
| 9 | BOARD, CIRCUIT, PRINTED, ALL, MACHINE | 1 | JB5000 |
| 10 | PLATE, MOUNTING, PANEL, CONTROL, BOX, JNCT, ST | 1 | JD8008 |
| 11 | SCREW, FLANGE, HEX, SERR, ST, PL, 1/4-20 X 3/8 | 4 | JD7904 |
| 12 | SCREW, FLANGE, HEX, SERR, ST, PL, 8-32 X 3/8 | 6 | JD7901-B |
| 13 | TRANSFORMER, CONTROL, OPN, 100VA, 120-460 VP, 24V | 1 | JD2868 |
| 14 | FUSE, ELEMENT, DUAL, DELAY, TIME, 250V, 6AMP | 1 | JD3107-11 |
| 15 | TRANSFORMER, IGNITION, 24V, PRIM, 18000V, SEC | 1 | JB1502 |
| 16 | PLATE, NAME, ALUM, TRANSFORMER, IGNITION, 24V | 1 | JB1502-01 |
| 17 | CONTACTOR, DP, OP, 2P, 30A, 24V | 1 | JP3530-D |
| 18 | NUT, HEX, STEEL, PLATED, 10-32 | 1 | JD 781 |
| 19 | SCREEN, COVER, MACHINE, STEEL, PAINTED | 1 | JP7720-01 |
| 20 | WASHER, FLAT, SS, 7/8 O.D X 5/32 I.D. X 20 GA | 8 | JP7720- 03 |
| 21 | RIVET, AL, .160-.164 HOLE, .063-.125 GRP, 5/32 | 8 | JP7720-02 |
| 22 | GROMMET, RUBBER, BLACK, 1-1/2 I.D. | 1 | JP 675 |
| 23 | NUT, LOCK, CONDUIT, STEEL, PLATED, 1/2" | 5 | JP 809 |

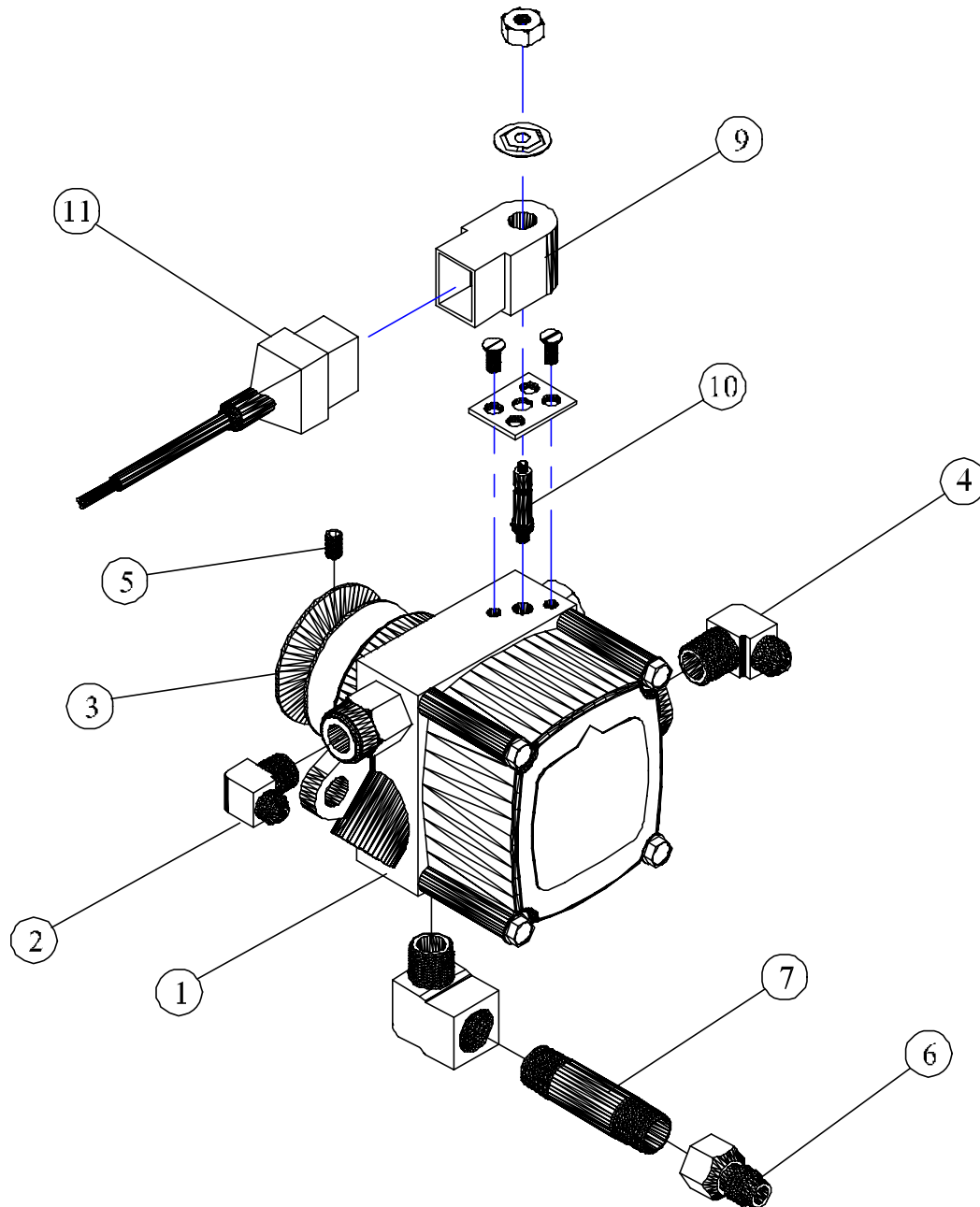


| ITEM NO. | QTY. | DESCRIPTION | PART NO. |
|----------|------|---|----------|
| 1 | 1 | PLATE, COVER, PANEL, CONTROL, BOX, JUNC, HPW | JD8009 |
| 2 | 1 | DECAL, PANEL, INSTRUCTION, HPW1530, OEP & GES | JD8404 |
| 3 | 2 | SWITCH, ROCKER, SP, ST, 10A, 24V, LED, LIGHT | JE1004 |

FIG. 1-6 (PANEL, INSTRUCTION, HPW1530, ASS'Y)

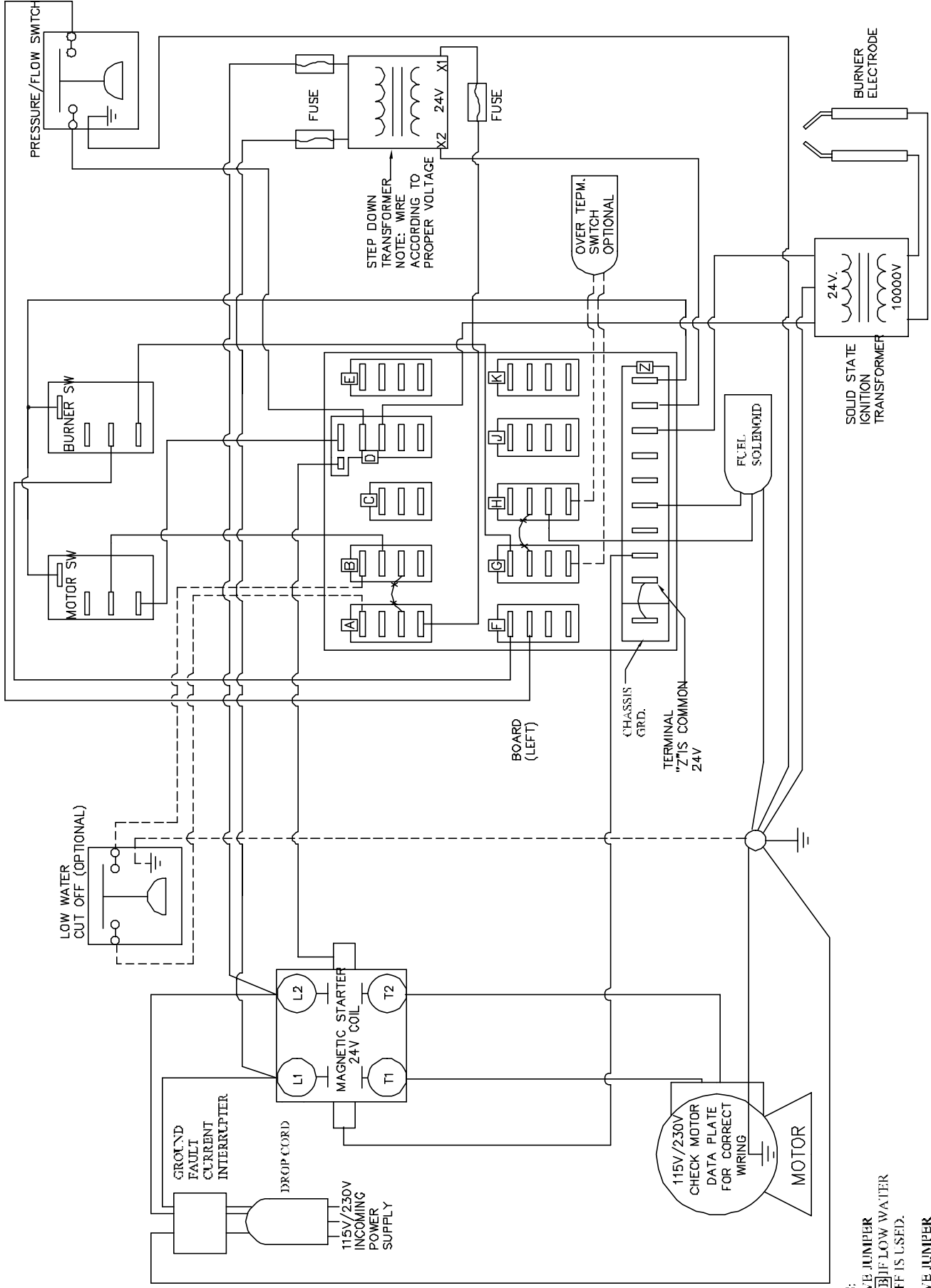


| ITEM NO. | DESCRIPTION | QTY. | PART NO. |
|---------------------|--|------|-----------|
| 1 | SCREW, MACHINE, HEX, SERR, ST, PL, 5/16-18 X 7/8 | 5 | JB2012 |
| 2 | RETAINER, BEARING, ALUMINUM, BAND, AIR | 1 | JB2006 |
| 3 | BAND, AIR, OUTER, STEEL, PLATED, 8 HOLE | 1 | JB2003 |
| 4 | BAND, AIR, INNER, STEEL, PLATED, 7 HOLE | 1 | JB2002 |
| 5 | HOUSING, BLOWER, ALUMINUM, 6.25OD X 4.0 WHEEL | 1 | JB2001 |
| 6 | PLATE, MOUNTING, ST, PLATED, ADAPTER, CHASSIS | 1 | JB2010 |
| 7 | SCREW, MACHINE, UNDERCUT, SLT, FLT, 5/16-18 X 5/8 | 4 | JB2013 |
| 8 | WHEEL, BLOWER, ST, 6.25 OD X 4.0W 1/2" SHAFT | 1 | JB2007 |
| 9 | SHAFT, BLOWER, STEEL, 0.50 DIA. X 9.562 LONG | 1 | JB2008 |
| 10 | RING, RETAINER, EXTERIOR, STEEL, 1/2 | 2 | JB2015 |
| 11 | FLANGE, ALUMINUM, RETAINER, BEARING, N - FLANGE | 1 | JB2009 |
| 12 | PULLEY, CRS, SG, 1-3/4 OD X 1/2 ID (3L BELT) | 1 | JD3233-04 |
| 13 | BELT, VEE, FHP, 3L230 | 1 | JD3509 |
| 14 | BEARING, BALL, 1.375OD X .500 ID X .437 WIDE (LOCK-TIGHT ON) | 2 | JB2011 |
| 15 | SCREW, SET, HEX-SKT, KNURL-PNT, 5/16-24 X 3/8L | 1 | JB2017 |
| 16 | NUT, LOCK, FLANGE, HEX, SERR, ST, PL, 5/16-18 | 2 | JD7774-E |
| 17 | PLATE, MOUNTING, PUMP, FUEL, STEEL, PAINTED | 1 | JB2005 |
| 18 Assy See Fig 1-8 | PUMP, FUEL, ASSY, JENNY-BURNER | 1 | JP7738 |
| 19 | SCREW, FLANGE, HEX, SERR, ST, PL, 5/16-18 X 3/4 | 2 | JD7905-B |
| 20 | PLATE, COVER, SLOT, STEEL, PLATED, 18GA X 1 X 2.5 | 1 | JB2004 |
| 21 | SCREW, SELFTAP, HEX, SERRATED, FLT, 10-24 X 3/8 | 1 | JB2014 |
| 22 | SCREW, SLF DRL, HEX, WASHER, PLATED #10 X 5/8 | 3 | JD7074-A |
| 23 | PULLEY, CRS, SG, 1-3/4" ODX 5/16" ID (3L BELT) | 1 | JD3233-03 |



| ITEM NO. | QTY. | DESCRIPTION | PART NO. |
|----------|------|---|-----------|
| 1 | 1 | PUMP, OIL, FUEL, SNGLSTGE, 3GPM, 3450RPM, 24V | JD3306-F |
| 2 | 1 | ELBOW, MALE, BRASS, 1/4-45 SAE X 1/8 NPT | JD 651 |
| 3 | 1 | PULLEY, CRS, SG, 1-3/4" OD X 5/16" ID (3L BELT) | JD3233-03 |
| 4 | 1 | ELBOW, MALE, BRASS, 1/4-45 SAE X 1/4 NPT | JD 652 |
| 5 | 1 | SCREW, SET, HEX, SOC, CUP, PNT, NYLK, 8-32X3/16 | JD3241 |
| 6 | 1 | CONNECTOR, FEMALE, BRASS, 1/4"-45° SAE X 1/4NPT | JD2391 |
| 7 | 1 | NIPPLE, BRASS, 1/4 NPT X 2 LONG | JD 745-01 |
| 8 | 1 | ELBOW, STREET, BRASS, 1/4 NPT | JD 670 |
| 9 | 1 | COIL, SOLENOID, FUEL, 12DC/24VAC, SUNTEC, | JD3306-09 |
| 10 | 1 | STEM-ASSY, SOLENOID, PUMP, FUEL, 12 24V | JD3306-08 |
| 11 | 1 | CORDSET, VALVE, SOLENOID, FUEL, SUNTEC | JD3306-E |

FIGURE 1-8 (PUMP, FUEL, JENNY, BURNER, JP7738, HPW1530 OEP, ASSY)



- NOTES:
- REMOVE JUMPER [A] IF LOW WATER CUT OFF IS USED.
 - REMOVE JUMPER [C] IF OVER TEMP. SWITCH IS USED.

(Electrical Schematic Diagram) Oil Fired, Hot Pressure Washer Steam Jenny, 115/230/1PH, JB File Name: JW 103