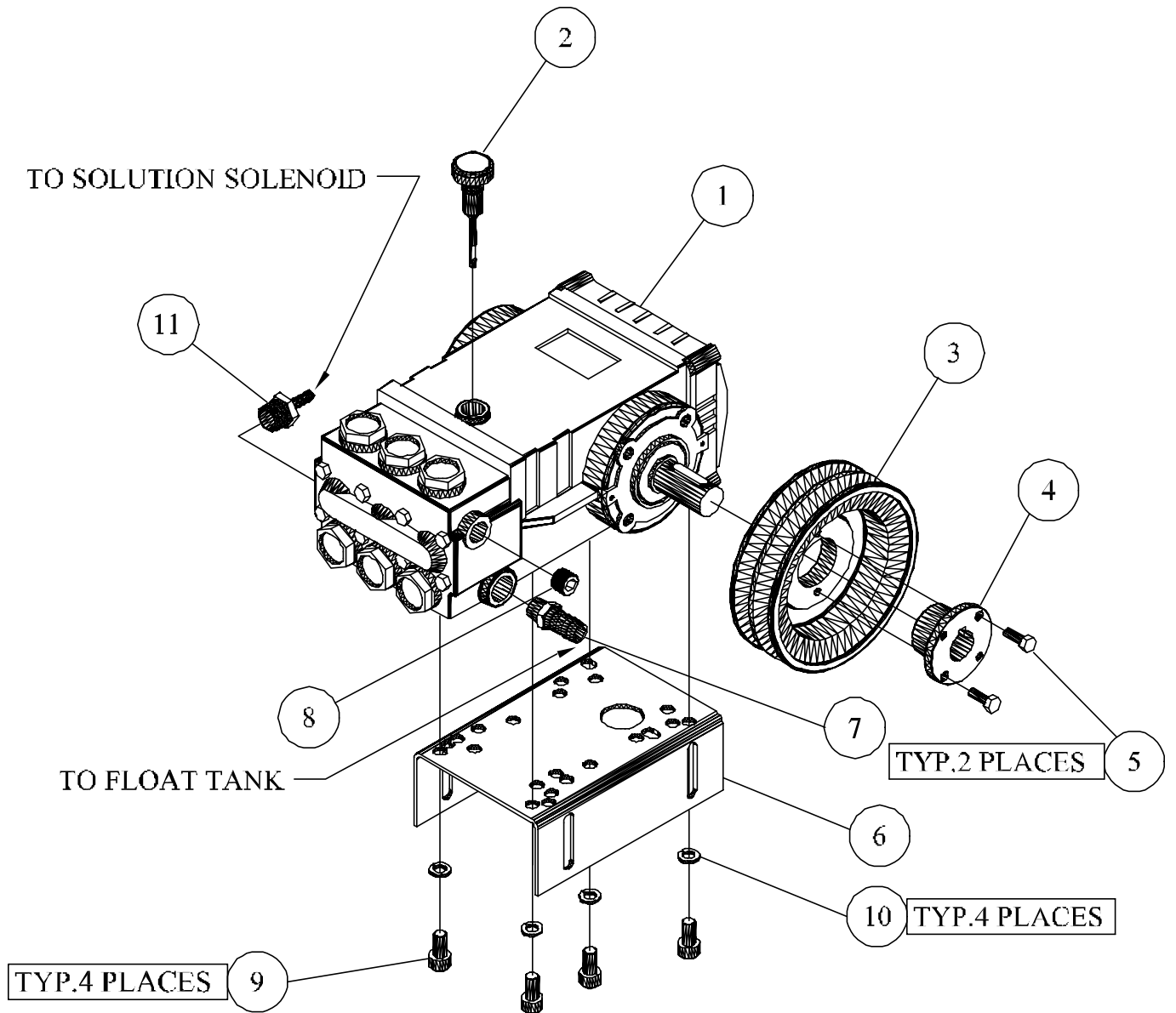


JENNY PRODUCTS INC.
 HPW 3540, GES, 230/60/1, N/C, L/W/C, ELECT-IGN
 &
 208-230-460-575/60/3PH

	HPW3540, GES, N/C, LWC		
Notes: Figure 20-(Common Parts)	208-230-460-575/60/3		
Electrical Dia. File Jw 302 W/ 3PH Jw 304	PARTS LIST		
ITEM NO.	DESCRIPTION	QTY.	PART NO.
1	CHASSIS,MODULE,MOTOR-PUMP,GES-LES	1	JD8500
2	CHASSIS,MODULE,COIL,STL,PAINTED,B-SIZE	1	JD8502
3	CASING,COIL,STEEL,PAINTED,SIZE-B	1	JD8505
4	LEGS,STATIONARY,STEEL,PAINTED,GES	4	JD8507
5	LEG,ADJUSTABLE,FRONT,STEEL,PAINTED,GES	1	JD8508
6	LEG,ADJUSTABLE,REAR,STEEL,PAINTED,GES	1	JD8509
7	PANEL,SUPPORT,COVER,REAR,STEEL,PNTD,GES	1	JD8510
8	PANEL,SIDE,MODULE,CHASSIS,MTR-PMP,ST,GES	1	JD8515
9	BRACKET,SUPPORT,BURNER,ST,SIZE-B	1	JD8518
10ASSY	COVER,SS,ASSY,NEW,GES	1	JD8523
11	COVER,MACHINE,SS,GES	1	JD8516
12	MOLDING,RUBBER,FOAM,ADHESIVE,1/2WX1/8T	1	JD3782-B
13	SCREW,PHILLIPS,HEAD,"N",COVER	10	JP7733
14	RETAINER,SCREW,PHILLIPS,HEAD,"N"	10	JP7733-02
15	SHIELD,HEAT,BURNER,ST,PAINTED,SIZE-B	1	JD8521
16	INSULATION,CERAMIC,1X34X58,6#	1	JD3181
17	WASHER,STRAINER,MESH,WIRE,BRASS,#30	2	JD 809
18ASSY SEE FIG 1-6	TANK,FLOAT,ASSY,W/FITTINGS,HWP2040,OEP	1	JD8245-P
19	BAFFLE,TANK,FLOAT,REMOVABLE	1	JP3385-08
20	ADAPTER,EXPANDING,BRASS,1/2MX1/2F	1	JD6224-04
21	NIPPLE,BRASS,1/2NPTX3LONG	1	JD3094-02
22	ELBOW,FEMALE,BRASS,FORGED,1/2NPT	1	JD 692-02
23	CONNECTOR,BRASS,3/4 GARDEN HOSE X 1/2NPTM,SWIV	1	JD7142
24-A	MOTOR,10 HP,230-480/60/3,1725 RPM,TEFC,F2,CF	1	JB3019
24-B	MOTOR,10 HP,575/60/3,1725 RPM,TEFC,F2	1	JB3020
24-C	MOTOR,10 HP,230/60/1,1725 RPM,TEFC,F2 C-FA	1	JB3018
25	PULLEY, CI, SG, TH, 2BK47H, 3.7PDA, 4.1PDB	1	JD3904-05
26	BUSHING,PULLEY,TAPERED,1-1/8" BORE	1	JD3915-04
27	CONNECTOR,RELIEF,STRAIN, 5/8-3/4, 3/4NPTM	1	JD1687-17
28	WIRE,SO,CPE,BLACK,8/4	2	JE 479
29	CONNECTOR,WIRE,CRIMP ON,6-12GAUGE	3	JD3952-B
30	SENSOR,IGNITER,W/MT-BRKT,& HARDWARE,60"LD	1	JP7694-D
31	HOSE,WASH,PRESSURE,5000PSI,250F,3/8 X 50FT	1	JD7789-A
32ASSY SEE FIG 20-2	SWITCH,PRESSURE,W/BRACKET,WELDED,ASSY	1	JP7731
33ASSY SEE FIG 1-3	MANIFOLD,FITTINGS,VALVE,HPW3540,ASSY,GES	1	JD8205
34	BELT,VBE,COG,BX39	2	JD3959-12
35ASSY SEE FIG 20-1	VALVE,SOLENOID,SOLUTION,24V,1/4NPT	1	JD2162-F
36	CLAMP,SLBVEE,PLASTIC,3/8 I.D.	4	JD2759
37	HOSE,HYD,5K PSI,32" LONG,3/8NPTM, 3/8NPTM	1	JD7753
38	LANCE,INSULATED,STEEL,ZINC-PLATED,1/4X36	1.666	JP7080-O
39	SOCKET,QUICK COUPLING,BRASS,1/4" NPTF	1	JD3102-02
40	GUN,TRIGGER,5000PSI,10GPM,300F	1	JD6068-A
41ASSY SEE FIG 1-1	PUMP,MOUNTING&FITTINGS,ASSY,3540,GES	1	JD8305-B

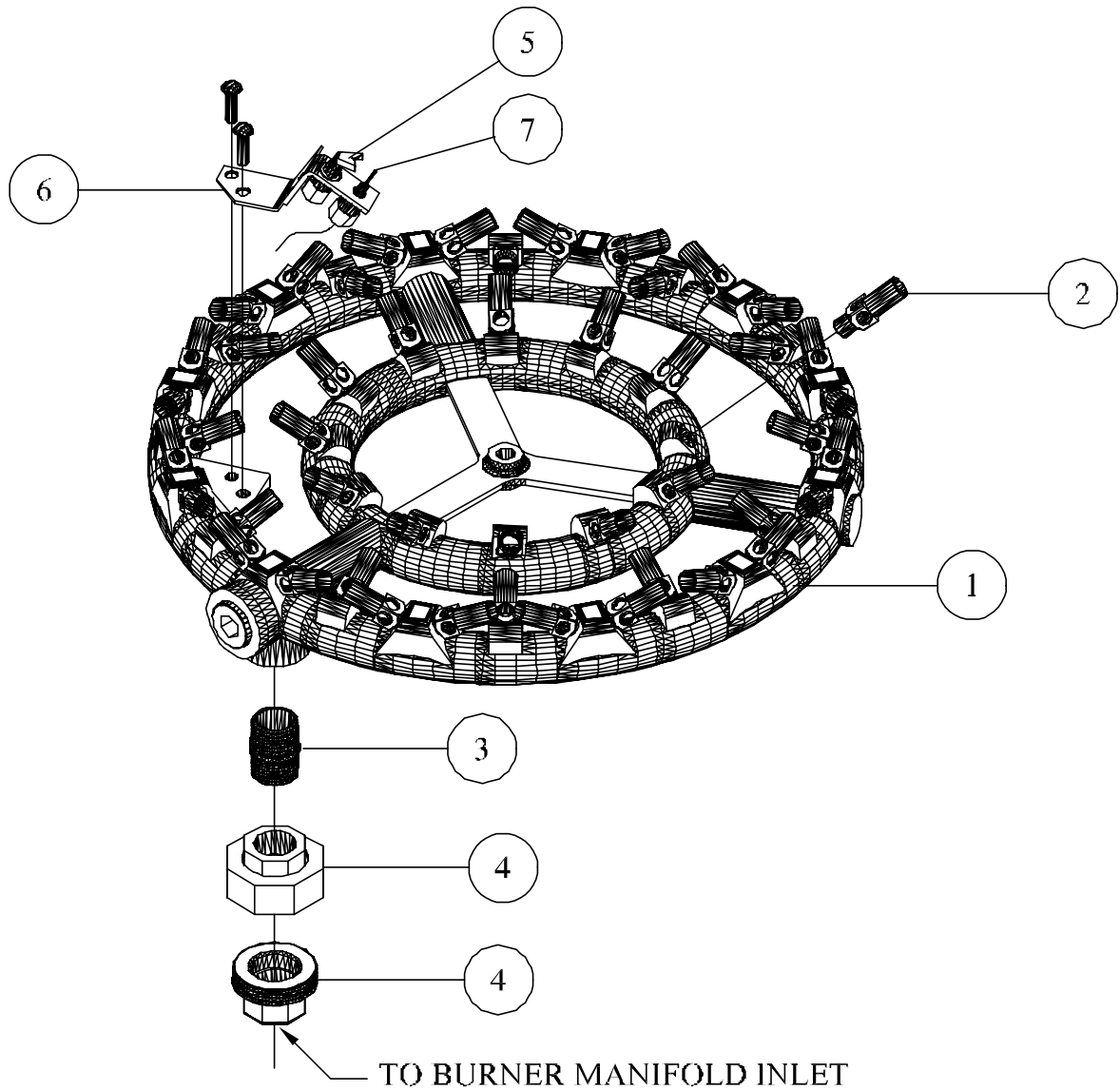
	OIL,PUMP,SYNTHETIC,HIGH-PERFORMANCE,1 QT	1	JD7999-A
	OIL,PUMP,SYNTHETIC,HIGH-PERFORMANCE,1 PT	1	JD7999-B
42ASSY SEE FIG 1-4	MANIFOLD,BURNER,INLET,ASSY,GES-LES-NAT,3540	1	JP5927-J
43-A ASSY SEE FIG 1-2	BURNER,GAS,NATURAL,ASSY,760,760-C	1	JP5940-A
43-B ASSY SEE FIG 1-2	BURNER,GAS,LP,ASSY,760-1000,LES	1	JP5942-A
44-A ASSY SEE FIG 1-5	BOX,JCT,PANEL,FRONT,230-575/3PH,30A,GAS	1	JE2005
44-B ASSY SEE FIG 1-5	BOX,JCT,PANEL,FRONT,230/1PH,35-50A,GAS	1	JE2004
45ASSY SEE FIG 1-7	PLATE,COVER,PANEL,CONT,BOX,JCT,HPW,GES	1	JD8513
46	HOSE,HYD,SK PSI,44" LONG,3/8NPTM, 3/8NPTM	1	JD7879
47	NOZZLE,SPRAY,PSI,SS,QCK CON,0 DEG,O#4.0	1	JD7755
48	NOZZLE,SPRAY,PSI,SS,QCK CON,15 DEG,O#4.0	1	JD7756
49	NOZZLE,SPRAY,PSI,SS,QCK CON,25 DEG,O#4.0	1	JD7757
50	NOZZLE,SPRAY,PSI,SS,QCK,CON,40 DEG,O#4.0	1	JD7758
51	SOCKET,QUICK COUPLING STAINLESS,3/8 NPTF	1	JD3102-A
52	PLUG,QUICK COUPLING, STAINLESS, 3/8"NPTM	1	JD3103-B
53	COIL,GAS,FIRE,1/2" PIPE,SCH80	1	JP5909-B
54	TEE,FEMALE,STEEL,PLATED,1/2NPT	1	JD3734-01
55	BUSHING,REDUCER,HEX,STEEL,PLATED,1/2X3/8	2	JD2599
56	ELBOW,REDUCER,ST,PLTD,90DEG,FEM,1/2X3/8	1	JD7847
57	THERMOSTAT,IMMERSION,SP,ST,NC,240 DEG F	1	JD7137
58	RING,CASING,COIL,SS,18-7/8ODX9-15/16ID	1	JD3256
59	LUG,TERMINAL,COPPER,3/16BOLT,6-14GAUGE	1	JD6152
60	CLAMP,WIRE,IGNITION,STAND OFF	1	JD7001
61	GROMMET,RUBBER,BLACK,5/8 I.D.	2	JD3385
62	GROMMET,RUBBER,BLACK,7/16,I.D.	6	JD3385-01
63	CLAMP,CABLE,NYLON,1/4"	2	JD1529
64	GROMMET,RUBBER,BLACK,1-1/2 I.D.	3	JP 675
65	STRAINER,CHEMICAL,BRASS,1/4"HOSEBARB	1	JD7140-A
66	TUBING,PVC,CLEAR,3/8ODX1/4ID	7.1	JD3087
67	SCREW,FLANGE,HEX,SERR,ST,PL,1/4-20X1/2	22	JD7904-A
68	BOLT,BLEVATOR,STEEL,PLTD,3/8X2-1/2,1"HD	2	JD7906-G
69	SCREW,SLF TAP,PHILLIPS,ST,PL,8-32X3/8	12	JD3043
70	SCREW,FLANGE,HEX,SERR,ST,PL,5/16-18X1/2	2	JD7905
71	SCREW,FLANGE,HEX,SERR,ST,PL,3/8-16X3/4	34	JD7906-A
72	NUT,LOCK,FLANGE,HEX,SERR,ST,PL,3/8-16	12	JD7774-F
73	SCREW,CAP,HEX HD,ST,PL,FLT,3/8-16X2-1/4"	2	JD7035
74	NUT,LOCK,FLANGE,HEX,SERR,ST,PL,1/4-20	8	JD7774-D
75	CLAMP,HOSE,NYLON,BLACK, 750/ 875DIA	2	JD7859-F
76	SCREW,SLF DRL,PHILLIP,ST,PLTD,#8X1/2	4	JD6050
77	SCREW,SLF DRL,HEX WASHER,PLTD,#10x5/8	7	JD7074-A
78	SCREW,CARRIAGE,GR5,ST,PL,3/8X6	2	JD7798
79	SCREW,CAP,HEX HD,ST,PL,3/8-16X1-1/4"	1	JD 514
80	WASHER,LOCK,SPLIT,STEEL,PLATED,3/8"	1	JD 613
81	RECEPTICAL,CLIP-ON,STEEL,DACROTIZED	10	JP7733-01
82	PLATE,NAME,ALUM,PRINT,BLACK,4X4	1	JD3456
83	HOSE,SOLVENT,NEOPRENE,1/2" ID	1.6	JD 946
84	TAG,WARNING,WATER TRAP,GAS FIRED UNIT	1	JD7207
85	TAG,WARNING,GAS PRESSURE	1	JD3097

86	WASHER,FLAT,SS,3/4 OD X 5/32 ID X 20 GAUGE	8	JP7720-03
87	SCREEN,COVER,MACHINE,ST,PAINTED	1	JP7720-01
88	RIVET,AL, 160-164 HOLE, .063-.125GRP,5/32	8	JP7720-02
89	CLAMP,HOSE,GEAR,WORM,SS,9/16 TO 1-1/16 DIA	2	JD1229-A
NOT SHOWN	TERMINAL,TONGUE,RING,3/16HOLE,18-22GAUGE	1	JD 928
NOT SHOWN	TERMINAL,TONGUE,FORK,#6HOLE,14-18GA WIRE	2	JD2347
NOT SHOWN	WIRE,SJO,CPE,BLACK,18/3	5	JE 436
NOT SHOWN	TERMINAL,CONNECT,QUICK,FEM,0.250,14/16GA	10	JD1576-01
NOT SHOWN	TERMINAL,CONNECT,QUICK,PIGGY,FEM,14-16GA	2	JD1576-06
NOT SHOWN	DIVERTER,DRAFT,VERTICAL,10"	1	JD3018
NOT SHOWN	DECAL,DANGER,WARNING,CAUTION,LARGE	1	JD7239
NOT SHOWN	DECAL,NOTICE,GROUND,4MILTHK,5YRWHITE	1	JD2344-01
NOT SHOWN	DECAL,NUMBER MODEL,HPW3540,BLUE LARGE	1	JD8457
NOT SHOWN	DECAL,PACKED,GROOMED,TESTED	1	JD6013
NOT SHOWN	DECAL,MADE-IN-THE-USA,JENNY	1	JD6211
NOT SHOWN	DECAL,PANEL,INSTRUCTION,HPW,3540,OEP & GES	1	JD8408



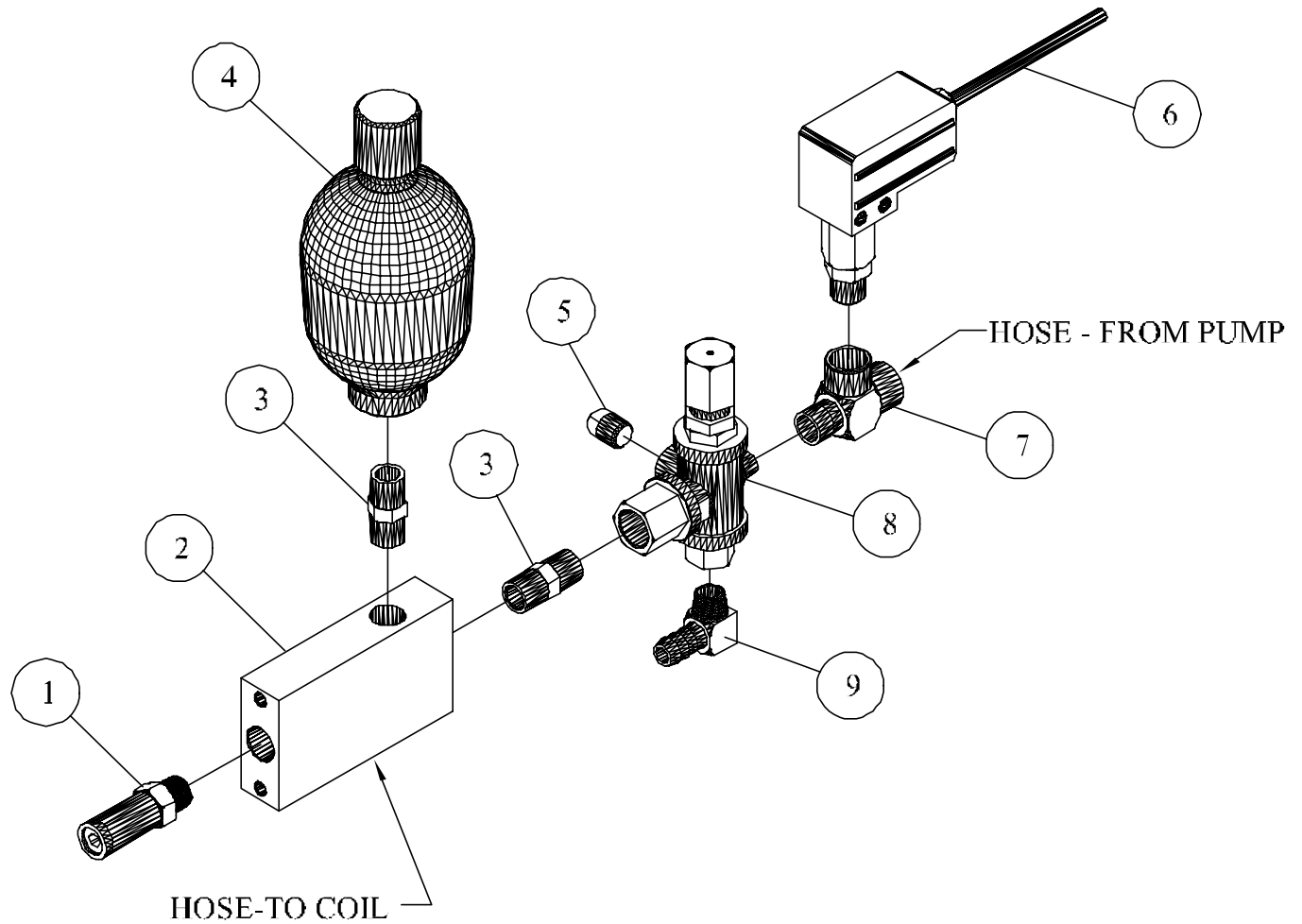
ITEM NO.	QTY.	DESCRIPTION	PART NO.
1	1	PUMP, PLUNGER, TRIPLEX, 3500PSI, 4.0GPM, GEN	JD7869
2	1	OIL, DIP, STICK, (RECEIVED W/PUMP)	
3	1	PULLEY, CI, SG, TH, 2BK57H, 4.7PDA, 5.1PDB	JD3904-61
4	1	BUSHING, PULLEY, TAPERED, 24 MM BORE	JD3915
5	2	H.H.B. 1/4-20 UNC-3/4 CLASS 5 RECEIVED W/ BUSHING	
6	1	PLATE, MOUNTING, PUMP, STEEL, PAINTED	JD8016
7	1	BARB, HOSE, MALE, BRASS, 1/2 HS X 1/2 NPT	JD7077-A
8	1	PLUG, SOCKET, HEX, BRASS, 3/8 NPT	JD7151
9	4	METRIC RECEIVED W/PUMP	
10	4	WASHER, LOCK, SPLIT, STEEL, PLATED, 3/8"	JD 613
11	1	BARB, HOSE, MALE, BRASS, 1/4 HS X 1/2 NPTM	JD7826

FIGURE 1-1 (Pump, Mounting, & Fitting, JD8305-B, Hpw3540, Assy)



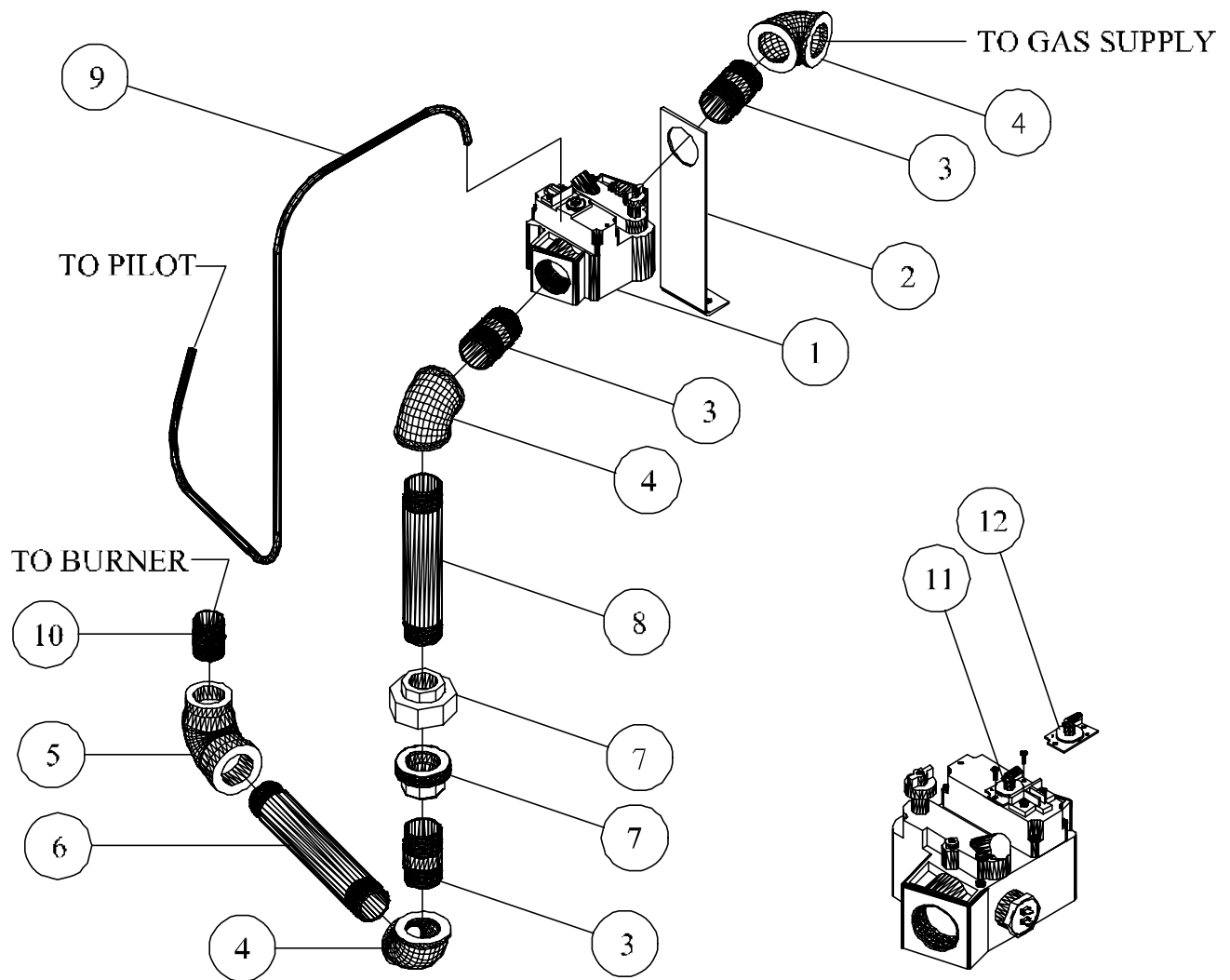
ITEM NO.	QTY.	DESCRIPTION	PART NO.
1-A	1	BURNER, NAT, #640 JETS, 0#52, X-44	JD3161
1-B	1	BURNER, LP, #640 JET, O#60, X-44, W/PILOT, L10	JD3264
2-A	44	JET, BURNER, GAS, NATURAL, BRZ, #52, .064	JD3082
2-B	44	JET, BURNER, GAS, LP, BRASS, #60, .040	JD3265
3	1	NIPPLE, CLOSE, STEEL, SCH40, 3/4"NPT	JD1181
4	1	UNION, FEMALE, MI, 150# BRASS SEAT, 3/4 NPT	JP 742
5-A	1	PILOT, BURNER, NAT, Q314B1019	JD2359-01
5-B	1	PILOT, BURNER, LP, Q314B1019-LP	JD2359-02
6-A	1	BRACKET, BURNER, PILOT, GES, LES	JD2359-05
6-B	1	BRACKET, BURNER, PILOT, GES, LES	JD2359-05
7	1	SENSOR, IGNITOR, W/ BRKT & HARDWARE, 60"LEAD	JP7694-D

FIGURE 1-2 (Burner, Gas, Nat, JP5940-A (NAT) JP5927-J (LP) Hpw3540, Assy)



ITEM NO.	QTY.	DESCRIPTION	PART NO.
1	1	VALVE, RELIEF, 3600-5000 PSI, 160F, 3/8 NPTM	JD7048-B
2	1	MANIFOLD, FITTINGS, STEEL, PLATED, ALL UNITS	JP7716
3	2	NIPPLE, HEX, STEEL, PLATED, 3/8NPT X 3/8NPT	JD3716-01
4	1	ACCUMULATOR, BLADDER, 3000#WP, 1500#CHARGER	JD7646-J
5	1	PLUG, HEAD, SQUARE, BRASS, 1/4NPT	JD 679-02
6	1	SWITCH, PSI, SP, ST, NO, 15A, 230V, 3/8NPTM	JD3977
7	1	TEE, STEEL, PLATED, 3/8 NPT, FEMALE	JD3971
8	1	VALVE, UNLOAD, PSI, ACT, 5100 PSI, 6.6 GPM	JD3324-M
9	1	BARB, HOSE, ELBOW, MALE, BRZ, 1/2"HS X 3/8"NPT	JD7991

FIGURE 1-3 (Manifold, Valve, Fitting, JD8204, Hpw3540, Assy)



REGULATOR, CONVERSION, NATURAL GAS TO LIQUID PETROLEUM.

ITEM NO.	QTY.	DESCRIPTION	PART NO.
1	1	VALVE, COMBINATION, NAT, 24V, 1", ELECT-IGN	JD3845-J
2	1	BRACKET, MANIFOLD, PAINTED, GES	JP5928-03
3	3	NIPPLE, STEEL, SCH40, 1NPT, X 2" LONG	JD 884
4	3	ELBOW, FEMALE, MI, 150#, 1 NPT	JP2160-02
5	1	ELBOW, FEMALE, REDUCER, MI, 150# 1 X 3/4	JE 883
6	1	NIPPLE, STEEL, SCH40, 1 NPT" X 7"LONG	JD7875
7	1	UNION, FEMALE, MI, 150#, BRASS-IR SEAT, 1" NPT	JD7873
8	1	NIPPLE, STEEL, SCH40, 1" NPT X 6"LONG	JD1304-A
9	1	TUBING, ALUMINUM, 1/4 OD X .032 WALL	JD1820
10	1	NIPPLE, CLOSE, STEEL, SCH40, 3/4 NPT	JD1181
11	1	REGULATOR,CONVERSION,LP. TO NAT. ROBERT SHW	JD2366-C
12	1	REGULATOR,CONVERTER,NAT. TO LP. ROBERT SHW	JD2366-04

FIGURE 1-4 (Manifold, Burner, Inlet, JP5927-J, Hpw3540, Assy)

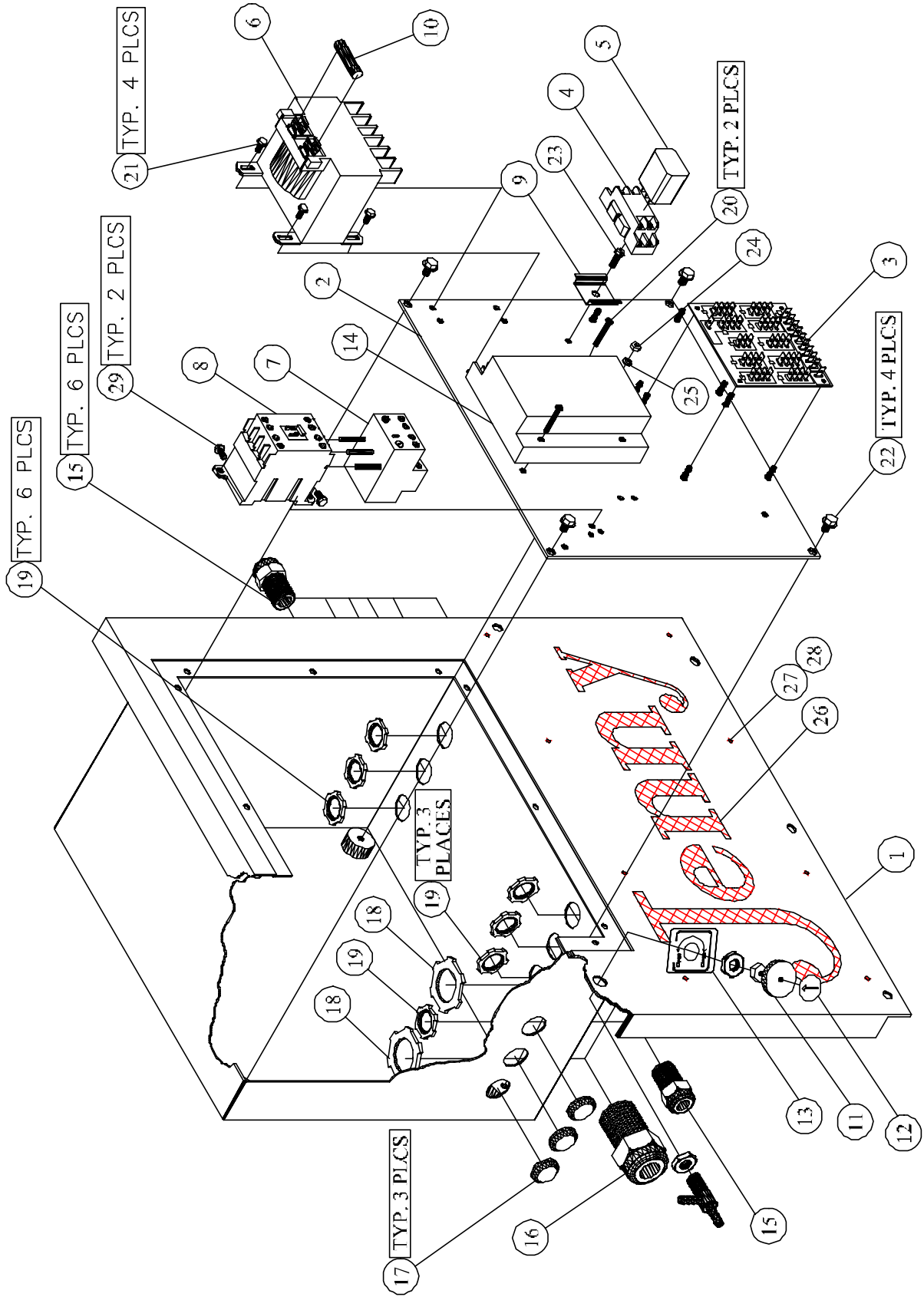
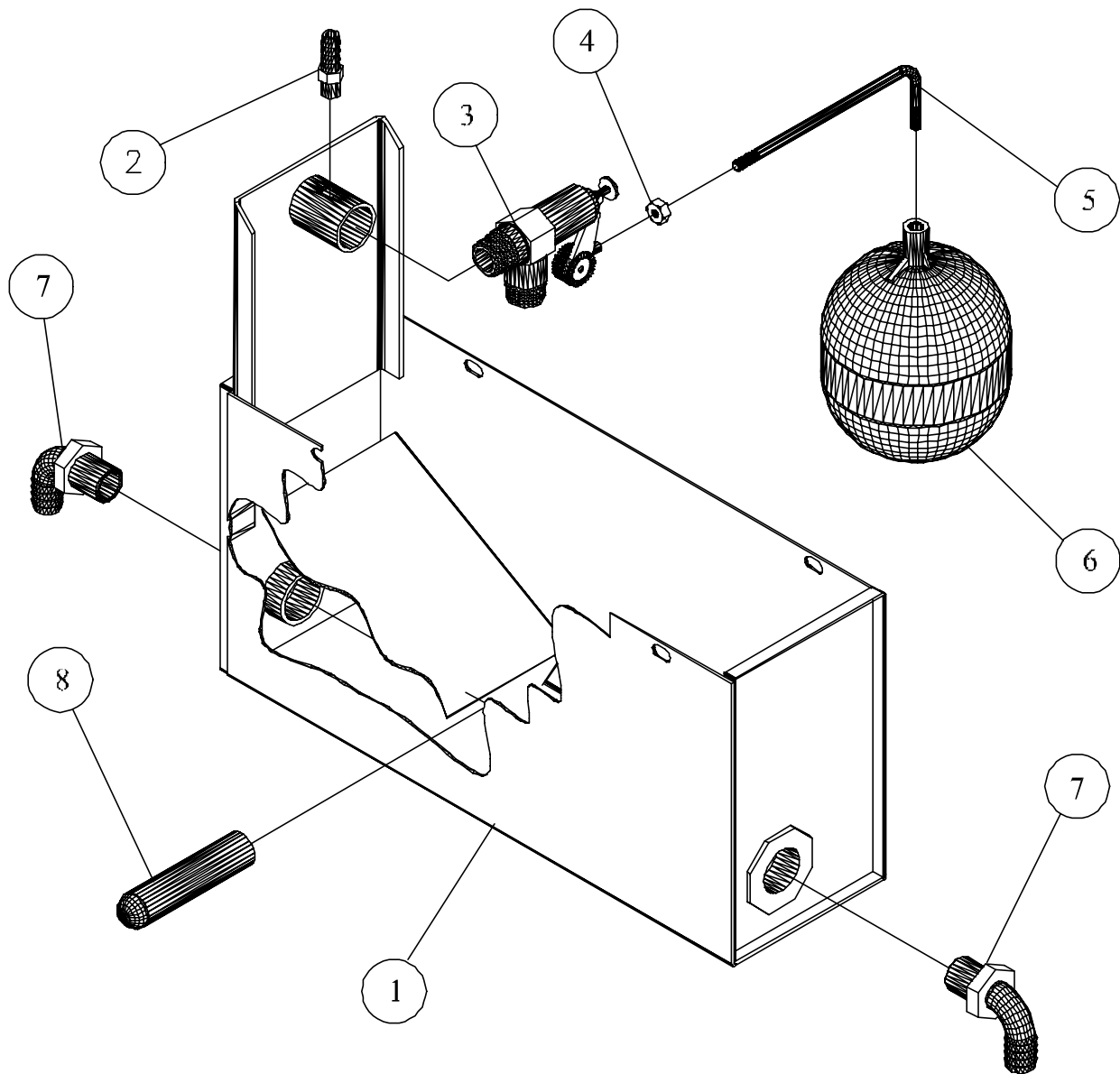


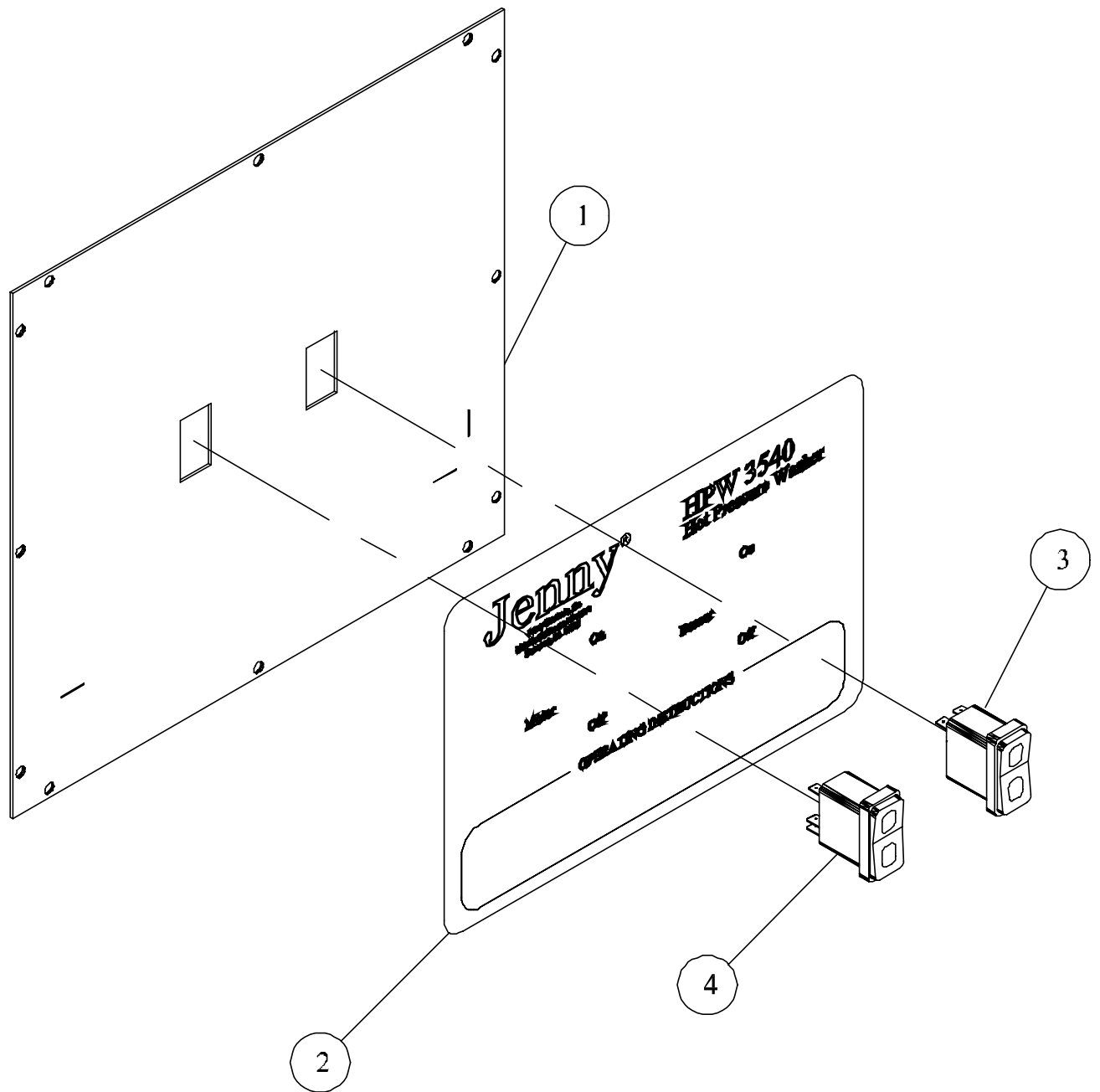
FIGURE 1-5 (Box, Junction, Panel, Front, 208-575/3PH & 208-230/60/1PH & 208-575/60/3,30A Gas, Hwp3540, JE2005)

ITEM NO.	DESCRIPTION	QTY.	PART NO.
1	PANEL, CONTROL, BOX, JUNCTION, STL, PNTD, GES	1	JD8511
2	PLATE, MOUNTING, PANEL, CONT, BOX, JCT, ST, GES	1	JD8512
3	BOARD, CIRCUIT, PRINTED, ALL MACHINES	1	JB5000
4	BASE, RELAY, DP	1	JD7819-A
5	RELAY, DP, DT, 24VAC	1	JD7819
6-A	TRNSFRMR, CTRL, OPN, 100VA, 120-460VP, 24VS	1	JD2868
6-B	TRNSFRMR, CTRL, OPN, 100VA, 600VP, 24VS	1	JD3987-13
7-A	RELAY, OVERLOAD, THERMAL, PLUG-IN, 24-32 AMPS (BEFORE 5-1-01)	1	JD7651-15
7-B	RELAY, OVERLOAD, THERMAL, PLUG-IN, 32-50 AMPS (BEFORE 5-1-01)	1	JD7651-16
7-C	RELAY, OVERLOAD, THERMAL, PLUG-IN, 13-19AMPS (BEFORE 5-1-01)	1	JD7651-13
7-D	RELAY, OVERLOAD, THERMAL, PLUG-IN, 10-14 AMPS (BEFORE 5-1-01)	1	JD7651-12
7-D	RELAY, OVERLOAD, THERMAL, PLUG-IN, 30-45A (AFTER 5-1-01)	1	JD7651-38
7-E	RELAY, OVERLOAD, THERMAL, PLUG-IN, 18-30A (AFTER 5-1-01)	1	JD7651-36
7-F	RELAY, OVERLOAD, THERMAL, PLUG-IN, 10-16A (AFTER 5-1-01)	1	JD7651-34
8-A	CONTACTOR, DP, OP, 3P, 30A, 24V, W/AUX CONTACT (BEFORE 5-1-01)	1	JD7651-B
8-B	CONTACTOR, DP, OP, 3P, 60A, 24V, W/AUX CONTACT (BEFORE 5-1-01)	1	JD7800
8-C	CONTACTOR, DP, OP, 3P, 50A, 24V, (CA7)	1	JD7651-V
8-D	CONTACTOR, DP, OP, 3P, 60A, 24V, (CA7)	1	JD7651-Q
9	RAIL, DIN, STL, PLTD, TAIL, DOVE, 1 3/8X5/16	0.16	JD7768-A
10	FUSE, ELEMENT, DUAL, DELAY, TIME, 250V, 6AMP	1	JD3107-11
11	VALVE, NEEDLE, SOLUTION, BRASS, 1/4IDHS-BARB	1	JD6248-A
12	DECAL, INDICATOR, HANDLE, VAL	1	JD7143
13	DECAL, SOLUTION, METERING, VALVE	1	JD7821
14	CONTROL, IGNITION, UNIT, LOCKOUT, SP745	1	JP7694-A
15	CONNECTOR, RELIEF, STRAIN, 1/4-3/8, 1/2 NPTM	6	JD1687-06
16-A	CONNECTOR, RELIEF, STRAIN, .5/8-3/4, 3/4NPTM	2	JD1687-17
16-B	CONNECTOR, RELIEF, STRAIN, .700-.950, 1NPTM	1	JD1687-19
17	PLUG, HOLE, PLASTIC, BLACK, 7/8"	3	JD3856
18-A	NUT, LOCK, CONDUIT, STEEL, PLATED, 3/4"	2	JD7728
18-B	NUT, LOCK, CONDUIT, STEEL, PLATED, 1"	1	JD3739
19	NUT, LOCK, CONDUIT, STEEL, PLATED, 1/2"	6	JP809
20	SCREW, MACHINE, PHILLIP	2	JD838
21	SCREW, FLANGE, HEX, SERR, ST, PL, 8-32x3/8	4	JD7901-B
22	SCREW, FLANGE, HEX, SERR, ST, PL, 1/4-20X3/8	4	JD7904
23	SCREW, SLF DRL, HEX WASHER, PLTD, #10x5/8	1	JD7074-A
24	NUT, HEX, STEEL, PLATED, 10-32	1	JD781
25	WASHER, LOCK, SPLIT, STEEL, PLATED, #10	1	JD624
26	SCREEN, COVER, MACHINE, ST, PAINTED	1	JP7720-01
27	RIVET, AL, .160-.164 HOLE, .063-.125 GRP, 5/32	8	JP7720-02
28	WASHER, FLAT, SS, 3/4 O.D. X 5/32 I.D. X 20 GAUGE	8	JP7720-03
29	SCREW, FLANGE, HEX, SERR, STL, PLATED, 8-32 X 5/8 L	2	JD7901-D



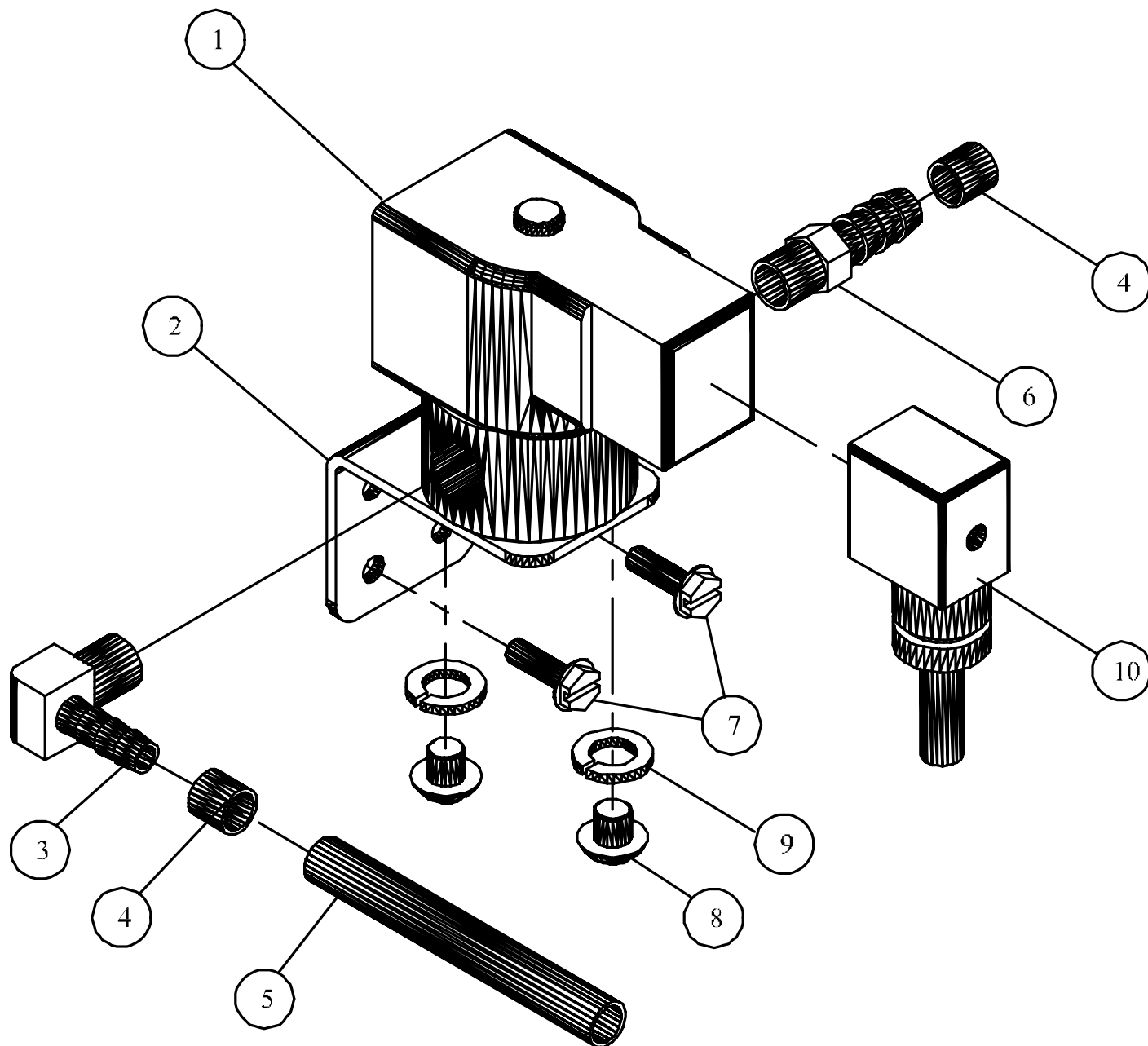
ITEM NO.	QTY.	DESCRIPTION	PART NO.
1	1	TANK, FLOAT, BOLT-ON-ASSY,JB	JD8015
2	1	BARB HOSE 1/4 HOSE X 1/8 NPT	JD6132
3	1	VALVE,FLOAT,BRASS,60PSI,1/2"NPTM	JD2988-B
4	1	NUT, HEX, STEEL, PLATED, 1/4-20	JD 791
5	1	ROD, FLOAT, BENT, BRASS, 1/4 X 5-5/8 LG X 1/4-20	JD1416-02
6	1	BALL, FLOAT, PLASTIC, BLACK	JD1416-01
7	2	BARB,HOSE,ELBOW,MALE,BRASS,1/2HS X 3/4NPT	JD7150-01
8	1	STRAINER, WATER, SS, 30MESH, 25/32 O.D. X 3-1/8 LG	JD3843

FIGURE 1-6 (Tank, Float, Fitting, JD8245-P, Hpw3540, Assy)



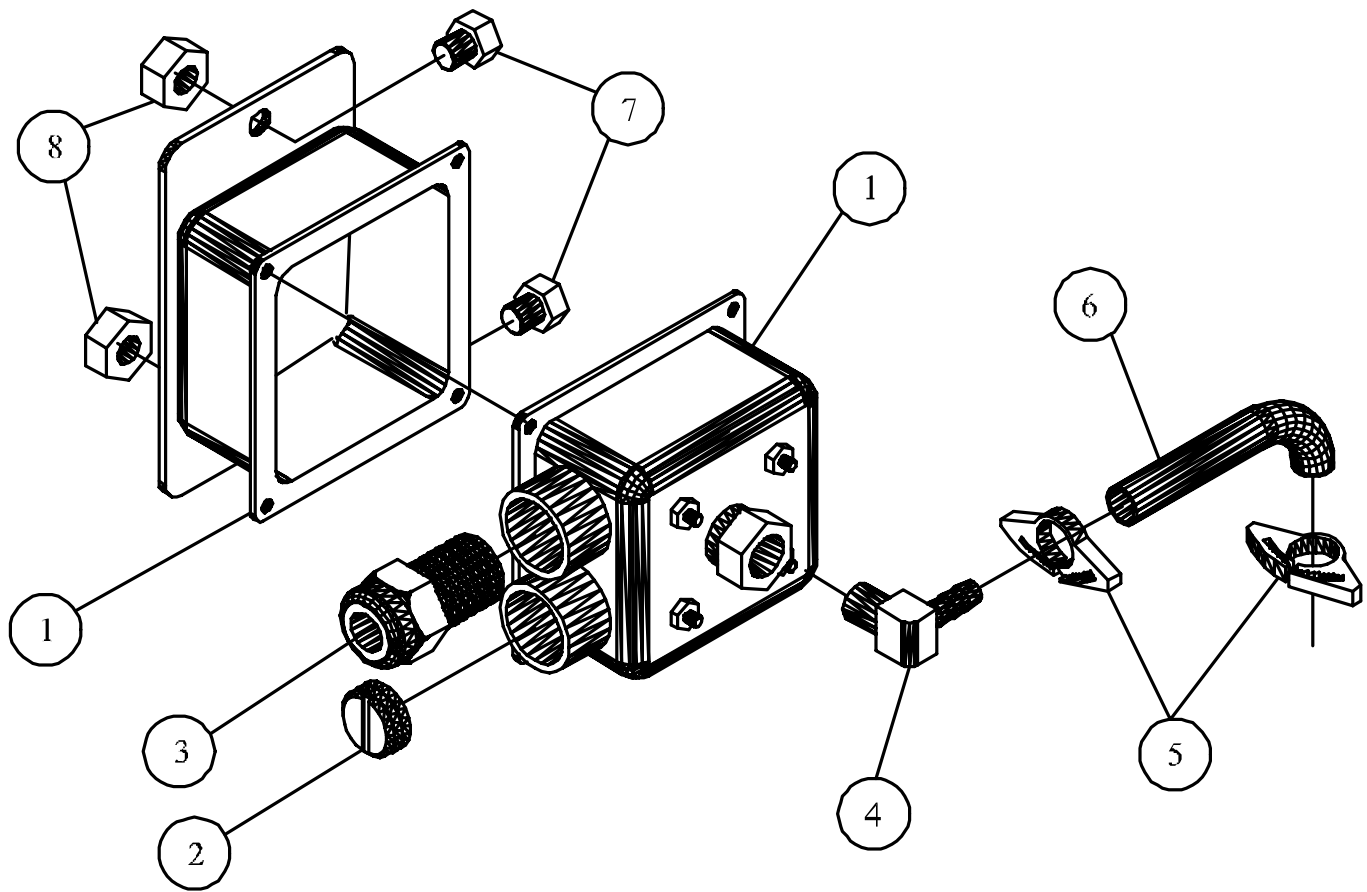
ITEM NO.	QTY.	DESCRIPTION	PART NO.
1	1	PLATE, COVER, PANEL, CONT, BOX, JUNC., HPW, GES	JD8513
2	1	DECAL, PANEL, INSTRUCTION, HPW3540, GES	JD8408
3	1	SWITCH, ROCKER, SP, ST, 10A, 24V, LED, LIGHT	JE1004
4	1	SWITCH, ROCKER, DP, DT, OFF-ON-MOM-10A, 24V	JE1006

FIGURE 1-7 (Panel, Instruction, JD8513, Hpw3540, Assy)



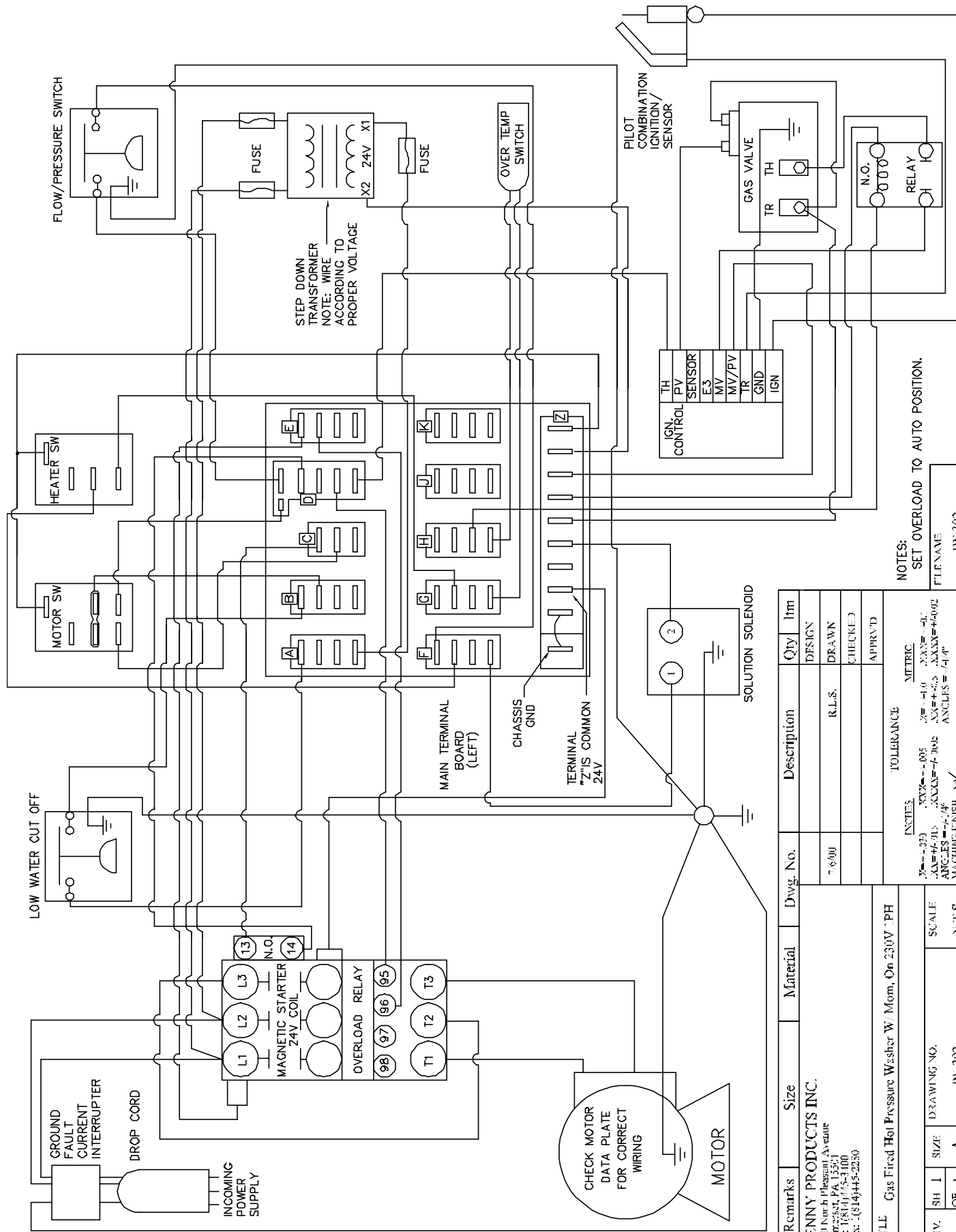
ITEM NO.	QTY.	DESCRIPTION	PART NO.
1	1	VALVE, SOLENOID, SOLUTION, 24V, 1/4NPT	JD2162-F
2	1	BRACKET, MOUNTING, SOLUTION, SOLENOID	JD7760
3	1	BARB, HOSE, ELBOW, MALE, BRASS, 1/4HS X 1/4 NPT	JD7078
4	2	CLAMP, SLEEVE, PLASTIC, 3/8 I.D.	JD2759
5	1	TUBING, PVC, CLEAR, 3/8 O.D. X 1/4 I.D.	JD3087
6	1	BARB HOSE 1/4 HS X 1/4 NPT	JD2765
7	2	SCREW, SLF, DRL, HEX WASHER, PLTD, #10 X 5/8	JD7074-A
8	2	SCREW, MACHINE, PHILLIPS, ST, PL, 10-32 X 3/8	JD3234
9	2	WASHER, LOCK, SPLIT, STEEL, PLATED, #10	JD624
10	1	CONNECTOR, SOLENOID, RELIEF, STRAIN, DIN	JD7703

FIGURE 20-1 (VALVE, SOLUTION, SOLENOID, JD2162-F, ASSY)



ITEM NO.	QTY.	DESCRIPTION	PART NO.
1	1	SWITCH, PRESSURE, W/BACKET, WELDED ASSY	JP7731
2	1	PLUG, HOLE, BOX, JUNCTION, 1/2 NPS	JD7719
3	1	CONNECTOR, RELIEF, STRAIN, 1/4-3/8, 1/2NPM	JD1687-06
4	1	BARB, HOSE, ELBOW, MALE, BRASS, 1/4HS X 1/4NPT	JD7078
5	2	CLAMP, HOSE, NYLON, BLACK, .406/.468 DIA	JD-7859-A
6	1	TUBING, PVC, REINFORCED, 1/4ID	JD7850
7	2	SCREW, FLANGE, HEX, SERR,ST, PL, 1/4-20 X 1/2	JD7904-A
8	2	NUT, LOCK, FLANGE, HEX, SERR, ST, PL, 1/4-20	JD7774-D

FIGURE 20-2 (SWITCH, PRESSURE, W/BACKET, WELDED, JD7731, ASS'Y)



NOTES:
SET OVERLOAD TO AUTO POSITION.

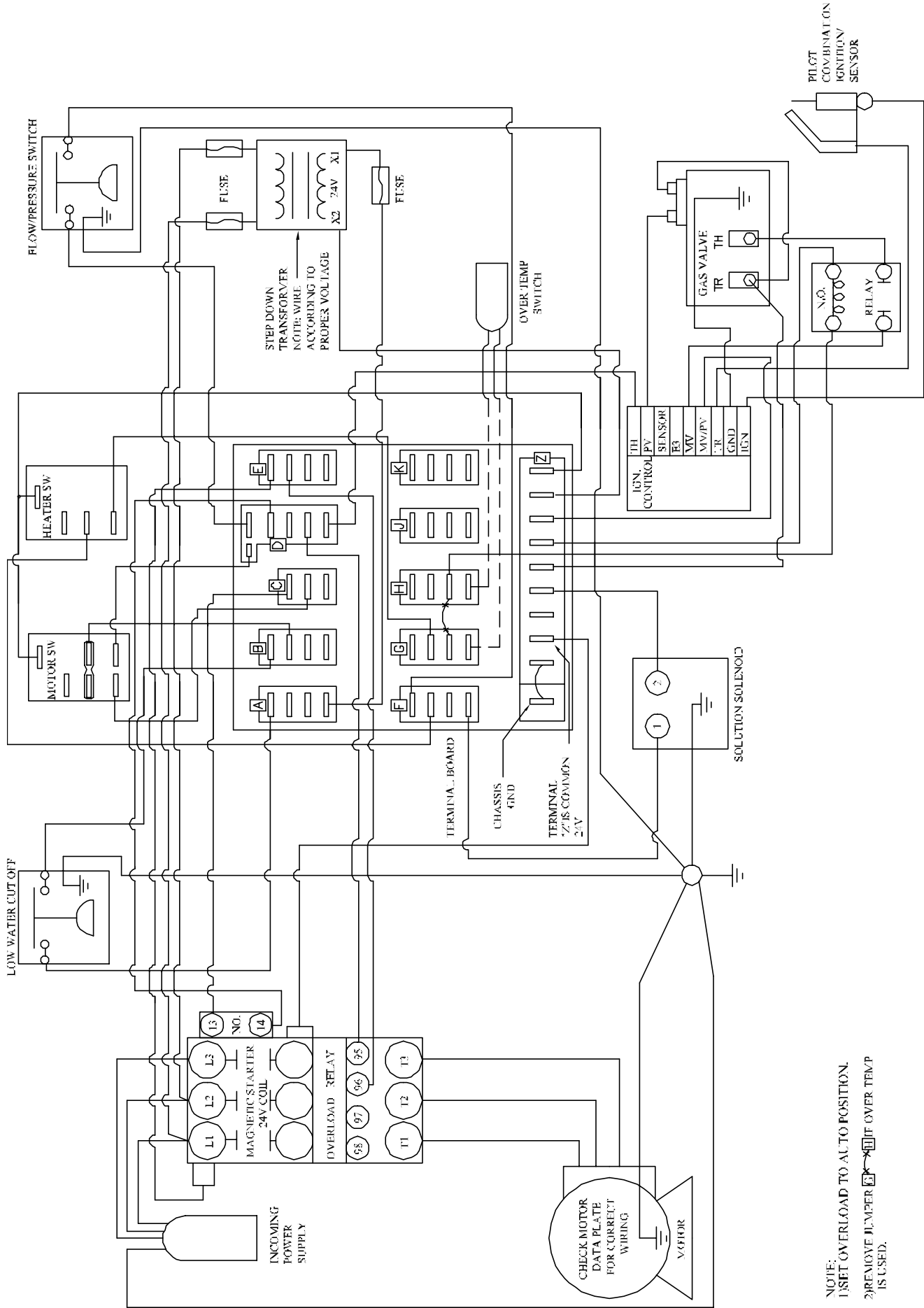
FILE NAME
JW 302

REV.	SH 1	SIZE	DRAWING NO.	SCALE	DATE	BY	CHKD	APP'D
	OP 1	A	JW 302	N.I.S.				

Remarks	Size	Material	Drawg. No.	Description	Qty	lms
JENNY PRODUCTS INC. 880 North Pheasant Avenue Springert, PA 15351 Ph: (610) 475-3100 Fax: (610) 445-2250			7-6/00	R.L.S.	DESIGN	
					DRAWN	
					CHECKED	
					APPR'VD	

TOLERANCE		MILITIC	
XX = ±.39	XXX = ±.005	Y = ±.10	Z = ±.1
XX = ±.315	XXX = ±.002	XX = ±.05	XXX = ±.002
ANGLES = ±.4°		ANGLES = ±.4°	
MACHINE FINISH	✓		

TITLE		Gas Fired Hot Pressure Washer W. Morn. On 230V . PH	
-------	--	---	--



File Name: Jw 304 Gas, Fired, Hot Pressure Washer Steam Cleaner, W/Mom. On, 3 Ph
(Electrical Schematic Diagram)