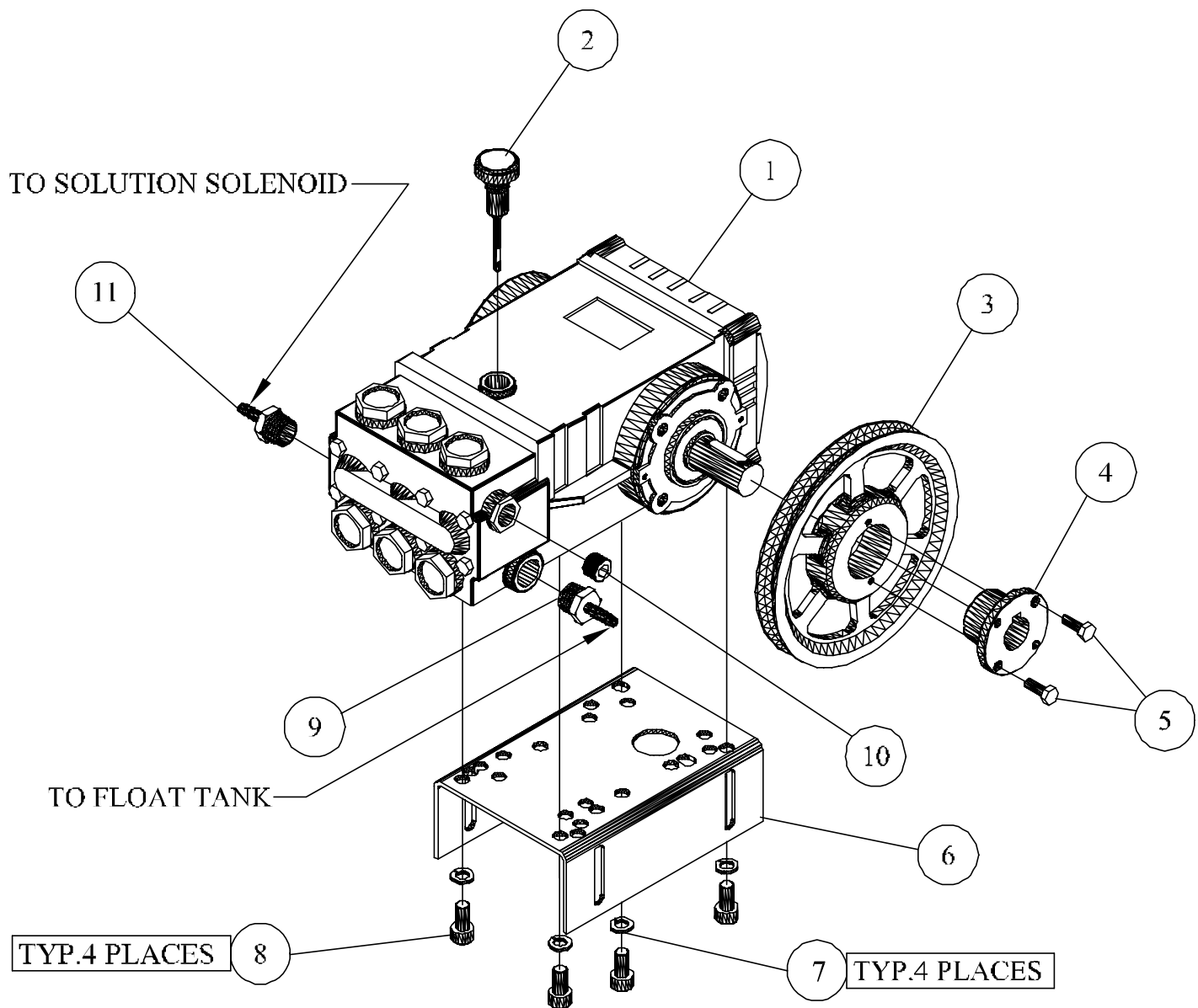


JENNY PRODUCTS INC.  
 HPW 753, GES, 115-230/60/1, N/C, LWC, ELECT-IGN

<b>HPW 753, GES, N/C, LWC</b>			
<b>115-230/60A</b>			
<b>PARTS LIST</b>			
Notes: Figure 20- (Common Parts) Electrical Dia. File Jw 300			
<b>ITEM NO.</b>	<b>DESCRIPTION</b>	<b>QTY.</b>	<b>PART NO.</b>
1	CHASSIS, MODULE, MOTOR-PUMP, HPW, LES, GES	1	JD8500
2	CHASSIS, MODULE, COIL, STL, PNTD, GES	1	JD8501
3	CASING, COIL, STEEL, PAINTED, GES, SIZE-A	1	JD8504
4	LEGS, STATIONARY, STEEL, PAINTED, GES	4	JD8507
5	HOSE, WASH, PRESSURE, 3000PSI, 250F, 3/8X50FT	1	JD7790-A
6	GUN, TRIGGER, 2200PSI, 6GPM, 212F	1	JD7154
7	PANEL, SUPPORT, COVER, REAR, STEEL, PNTD, GES	1	JD8510
8	PANEL, SIDE, MODULE, CHASSIS, MTR-PMP, ST, GES	1	JD8515
9	LANCE, INSULATED, STEEL, ZINC-PLATED, 1/4X36	1	JP7080-O
10 ASSY	COVER, SS, ASSY, NEW, GES	1	JD8523
11	COVER, MACHINE, SS, GES	1	JD8516
12	MOLDING, RUBBER, FOAM, ADHESIVE, 1/2WX1/8T	1	JD3782-B
13	SCREW, PHILLIPS, HEAD, "N", COVER	10	JP7733
14	RETAINER, SCREW, PHILLIPS, HEAD, "N"	10	JP7733-02
15	PLATE, NAME, ALUM, PRINT, BLACK, 4X4	1	JD3456
16	INSULATION, CERAMIC, 1X26-1/2X44	1	JD2498
17	WASHER, STRAINER, MESH, WIRE, BRASS, #30	1	JD 809
18 ASSY SEE FIG. 1-4	TANK, FLOAT, ASSY, W/FITTINGS, HPW 753	1	JD8245-S
19	BAFFLE, TANK, FLOAT, REMOVABLE	1	JP3385-08
20	ADAPTER, EXPANDING, BRASS, 1/2MX1/2F	1	JD6224-04
21	NIPPLE, BRASS, 1/2 NPT X 3LONG	1	JD3094-02
22	ELBOW, FEMALE, BRASS, FORGE, 1/2NPT	1	JD 692-02
23	CONNECTOR, BRZ, 3/4 GARDEN HOSE X 1/2NPTM, SWIV	1	JD7142
24	MTR, 2HP, 115-230/60/1, 1725RPM, TEFC, F2, C-F	2	JB3006-D
25	PULLEY, CI, SG, TH, BK47H, 3.7PDA, 4.1PDB	1	JD3904-42
26	BUSHING, PULLEY, TAPERED, 5/8 BORE	1	JD3915-01
27	CONNECTOR, RELIEF, STRAIN, 5/8-3/4, 3/4NPTM	1	JD1687-17
28	WIRE, SJO, CPE, BLACK, 12/3	2	JE 432
29	CONNECTOR, SPLICE, BUTT, INSULATED, 12-18GA	3	JD3952-A
30	ELBOW, FEMALE, STEEL, PLATED, 3/8NPT	1	JD 691
31	CLAMP, HOSE, NYLON, BLACK, .406/.468 DIA.	2	JD7859-A
32 ASSY SEE FIG 20-2	SWITCH, PRESSURE, W/BACKET, WELDED	1	JP7731
33 ASSY SEE FIG 1-3	MANIFOLD, FITTINGS, VALVE, HPW753, ASSY	1	JD8207
34	BELT, VEE, COG, AX43	1	JD1579
35 ASSY SEE FIG 20-1	VALVE, SOLENOID, SOLUTION, 24V, 1/4NPT	1	JD2162-F
36	CLAMP, SLEEVE, PLASTIC, 3/8 I.D.	4	JD2759
37	TUBING, PVC, REINFORCED, 3/8 I.D.	1	JD7575
38	SCREEN, COVER, MACHINE, ST, PAINTED	2	JP7720-01
39	RIVET, AL, .160-.164 HOLE, .063-.125GRP, 5/32	16	JP7702-02
40	WASHER, FLAT, SS, 7/8 OD X 5/32 ID X 20 GAUGE	16	JP7720-03
41 ASSY SEE FIG 1-1	PUMP, MOUNTING&FITTINGS, ASSY, 753, GES	1	JD8300-A
42-A ASSY SEE FIG 1-2	MANIFOLD, BURNER, INLET, 753 ASSY, ELECT-IGN BEFORE 12/6/01	1	JP4900-B
42-B ASSY SEE FIG 1-2	MANIFOLD, BURNER, INLET, 753 ASSY, ELECT-IGN AFTER 12/6/01	1	JP4900-C
43-A	CORD, DROP, GFCI, 120V, 20A, 40FT	1	JD7179-B
43-B	CORD, DROP, GFCI, 240V, 15A, 40FT	1	JD7179-D
44 ASSY SEE FIG 1-5	BOX, JCT, PANEL, FRONT, 115-230/1PH, 30A, GAS	1	JE2003
45 ASSY SEE FIG 1-6	PLATE, COVER, PANEL, CONT, BOX, JCT, GES	1	JD8513
46	HOSE, HYD, 3K PSI, 40" LONG, 3/8NPTM, 3/8NPTM	1	JD7876
47	NOZZLE, SPRAY, PSI, SS, QCK CON, 0 DEG, O#7.0	1	JD7755-06
48	NOZZLE, SPRAY, PSI, SS, QCK CON, 15 DEG, O#7.0	1	JD7756-06

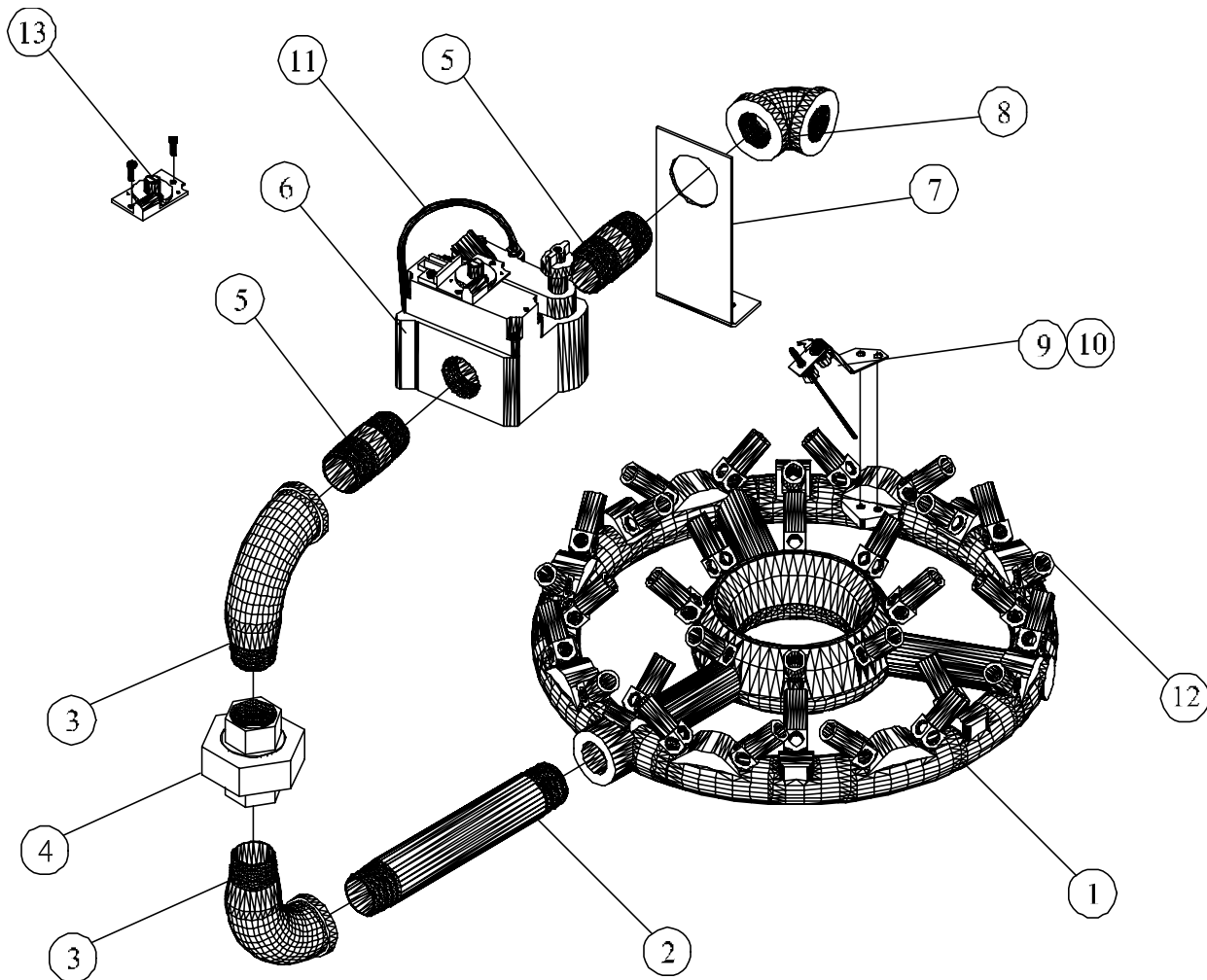
49	NOZZLE, SPRAY, PSI, SS, QCK CON, 25 DEG, O#7.0	1	JD7757-06
50	NOZZLE, SPRAY, PSI, SS, QCK, CON, 40 DEG, O#7.0	1	JD7758-06
51	NIPPLE, STEEL, SCH80, 3/8NPT X 12-1/2 LONG	1	JD1257
52	COIL, GAS, FIRED, 3/8"PIPE, SCH40	1	JP7004
53	PLUG, FUSIBLE, ASSY, 240, DEGREE F, HPW	1	JP3921-F
54	TEE, FEMALE, STEEL, PLATED, 3/8NPT	1	JD3971
55	PLUG, QUICK, COUPLING, BRASS, 3/8NPTM	1	JD3103-11
56	SOCKET, QUICK COUPLING, BRASS, 3/8"NPTF	1	JD3102-05
57	BRACKET, OUTLET, COIL, GES	1	JP5413-06
58	RING, CASING, COIL, SS, 7-15/16 I.D.	1	JD2140-B
59	LUG, TERMINAL, COPPER, 3/16BOLT, 6-14GAUGE	1	JD6152
60	HOSE, SOLVENT, NEOPRENE, 1/2" ID	1.6	JD 946
61	GROMMET, RUBBER, BLACK, 5/8" I.D.	2	JD3385
62	GROMMET, RUBBER, BLACK, 7/16"DIAMETER	6	JD3385-01
63	RECEPTICAL, CLIP-ON, STEEL, DACROTIZED	10	JP7733-01
64	GROMMET, RUBBER, BLACK, 1-1/2" I.D.	3	JP 675
65	CLAMP, GEAR, WORM, SS, 7/32 TO 5/8 DIAMETER	2	JD3068
66	STRAINER, CHEMICAL, BRASS, 1/4" HOSE, BARB	1	JD7140-A
67	TUBING, PVC, CLEAR, 3/8, O.D.X1/4ID	7.1	JD3087
68	SCREW, FLANGE, HEX, ALL, ST.PLTD 1/4-20X1/2	24	JD7904-A
69	SCREW, SLF TAP, PHILLIPS, ST, PL, 8-32X3/8	12	JD3043
70	SCREW, FLANGE, HEX, SERR, ST, PL, 5/16-18X1/2	2	JD7905
71	SCREW, FLANGE, HEX, SERR, ST, PL, 3/8-16X3/4	39	JD7906-A
72	NUT, LOCK, FLANGE, HEX, SERR, ST, PL, 3/8-16	10	JD7774-F
73	SCREW, CAP, HEX HD, ST, PL, FLT, 3/8-16X2-1/4"	2	JD7035
74	NUT, LOCK, FLANGE, HEX, SERR, ST, PL, 1/4-20	4	JD7774-D
75	CLAMP, HOSE, NYLON, BLACK, .750/.875DIA	2	JD7859-F
76	SCREW, SLF DRL, PHILLIP, ST, PLTD, #8X1/2	4	JD6050
77	SCREW, SLF DRL, HEX WASHER, PLTD, #10x5/8	9	JD7074-A
78	SCREW, CARRIAGE, GR5, ST, PL, 3/8X6	2	JD7798
79	SCREW, CAP, HEX HD, ST, PL, 3/8-16X1-1/4"	1	JD 514
80	WASHER, LOCK, SPLIT, STEEL, PLATED, 3/8"	1	JD 613
81	HOSE, HYD, 3K, PSI, 23"LONG, 3/8NPTM, 9OD-3/8	1	JD7542
82	TAG, WARNING, WATER TRAP, GAS FIRED UNIT	1	JD7207
83	TAG, WARNING, GAS PRESSURE	1	JD3097
84	SOCKET,QUICK COUPLING,BRASS,1/4"NPTF	1	JD3102-02
NOT SHOWN	TERMINAL, TONGUE, RING, 3/16 HOLE, 18-22 GAUGE	1	JD 928
NOT SHOWN	TERMINAL, TONGUE, FORK, #6HOLE, 14-18GAWIRE	2	JD2347
NOT SHOWN	WIRE, SJO, CPE, BLACK, 18/3	5	JE 436
NOT SHOWN	TERMINAL, CONNECT, QUICK, FEM, 0.250, 14/16GA	10	JD1576-01
NOT SHOWN	TERMINAL, CONNECT, QUICK, PIGGY, FEM, 14-16GA	2	JD1576-06
NOT SHOWN	DIVERTER, DRAFT, VERTICAL, 8"	1	JD3167
NOT SHOWN	DECAL, DANGER, WARNING, CAUTION, LARGE	1	JD7239
NOT SHOWN	DECAL, NOTICE, GROUND, 4MILTHK, 5YRWHT	1	JD2344-01
NOT SHOWN	DECAL, NUMBER MODEL, HPW 753, BLUE LARGE	1	JD8450
NOT SHOWN	DECAL, PACKED, GROOMED, TESTED	1	JD6013
NOT SHOWN	DECAL, MADE-IN-THE-USA, JENNY	1	JD6211
NOT SHOWN	DECAL, PANEL, INSTRUCTION, HPW, 753, OEP & GES	1	JD8400
NOT SHOWN	DECAL, CAUTION, FUSIBLE, PLUG, 12X3-1/2-LEXAN	1	JD2858

NOT SHOWN	DECAL, PACKED, GROOMED, TESTED	1	JD6013
NOT SHOWN	DECAL, MADE-IN-THE-USA, JENNY	1	JD6211
NOT SHOWN	DECAL, PANEL, INSTRUCTION, HPW, 753, OEP & GES	1	JD8400
NOT SHOWN	DECAL, CAUTION, FUSIBLE, PLUG, 12X3-1/2-LEXAN	1	JD2858



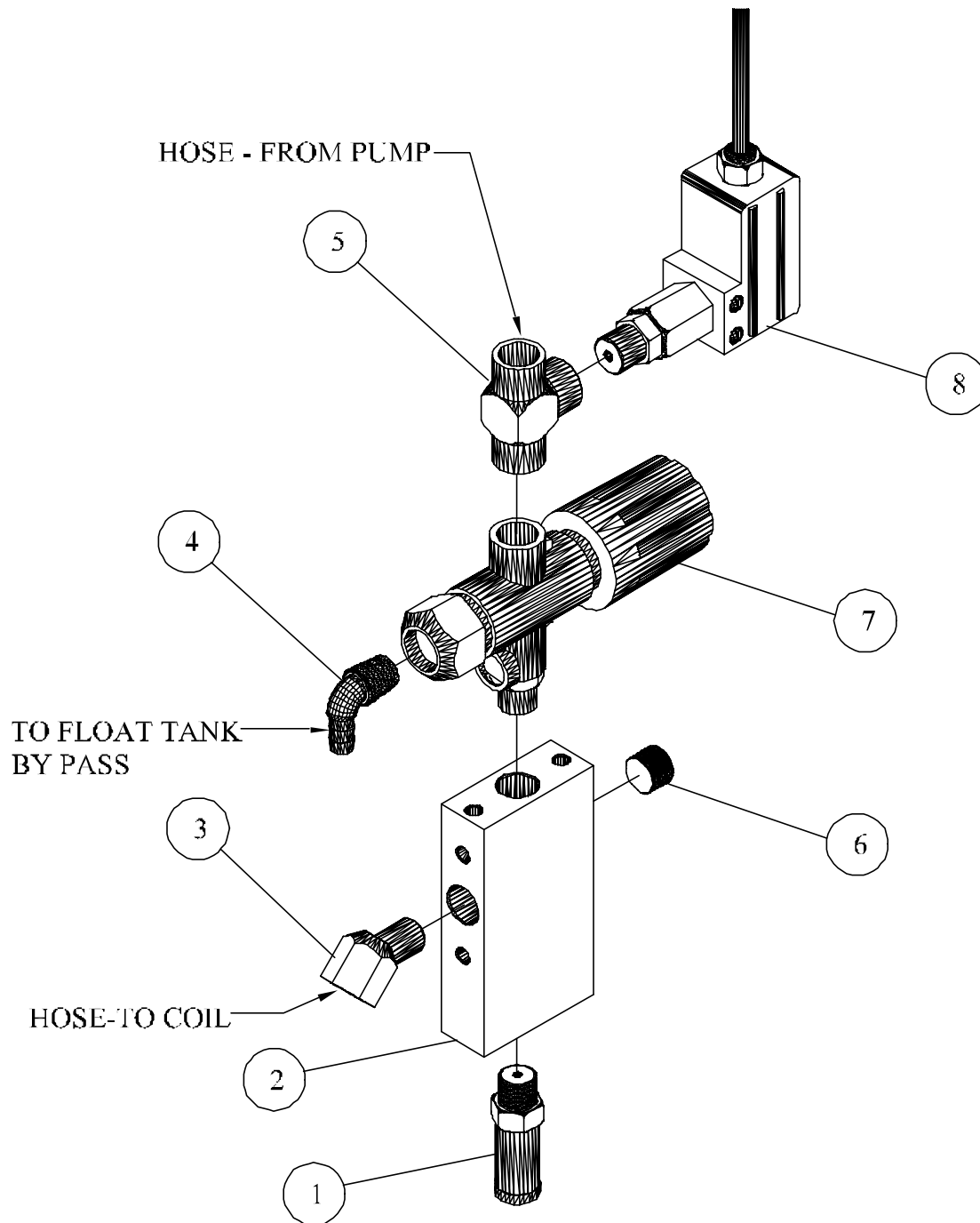
ITEM NO.	QTY.	DESCRIPTION	PART NO.
1	1	PUMP, PLUNGER, TRIPLEX, 2200 PSI, 4.0 GPM, AR	JD7955
2	1	OIL, DIP, STICK, (RECEIVED W/PUMP)	
3	1	PULLEY, CI, SG, TH, AK66H, 6.2 PDA, 5.86 D3L	JD3904-02
4	1	BUSHING, PULLEY, TAPERED, 24MM BORE	JD3915
5	2	H.H.B.1/4-20 UNC-3/4 CLASS 5 RECEIVED W/BUSHING	
6	1	PLATE, MOUNTING, PUMP, STEEL, PAINTED,	JD8016
7	4	WASHER, LOCK, 5 16	JD 612
8	4	SCREW,CAP,HEX,HEAD,ST,PLATED,M8-1.25 X 16MM	JD7258
9	1	BARB, HOSE, MALE, BRASS, 1/2 HS X 1/2 NPTM	JD7077-A
10	1	PLUG,SOCKET,HEX,BRASS,3/8NPT	JD7151
11	1	BARB, HOSE, MALE, BRASS, 1/4 HS X 1/2 NPTM	JD7826

FIGURE 1-1 (Pump, Mounting, Fitting, JD8300-A, Hpw 753, Ass'y)



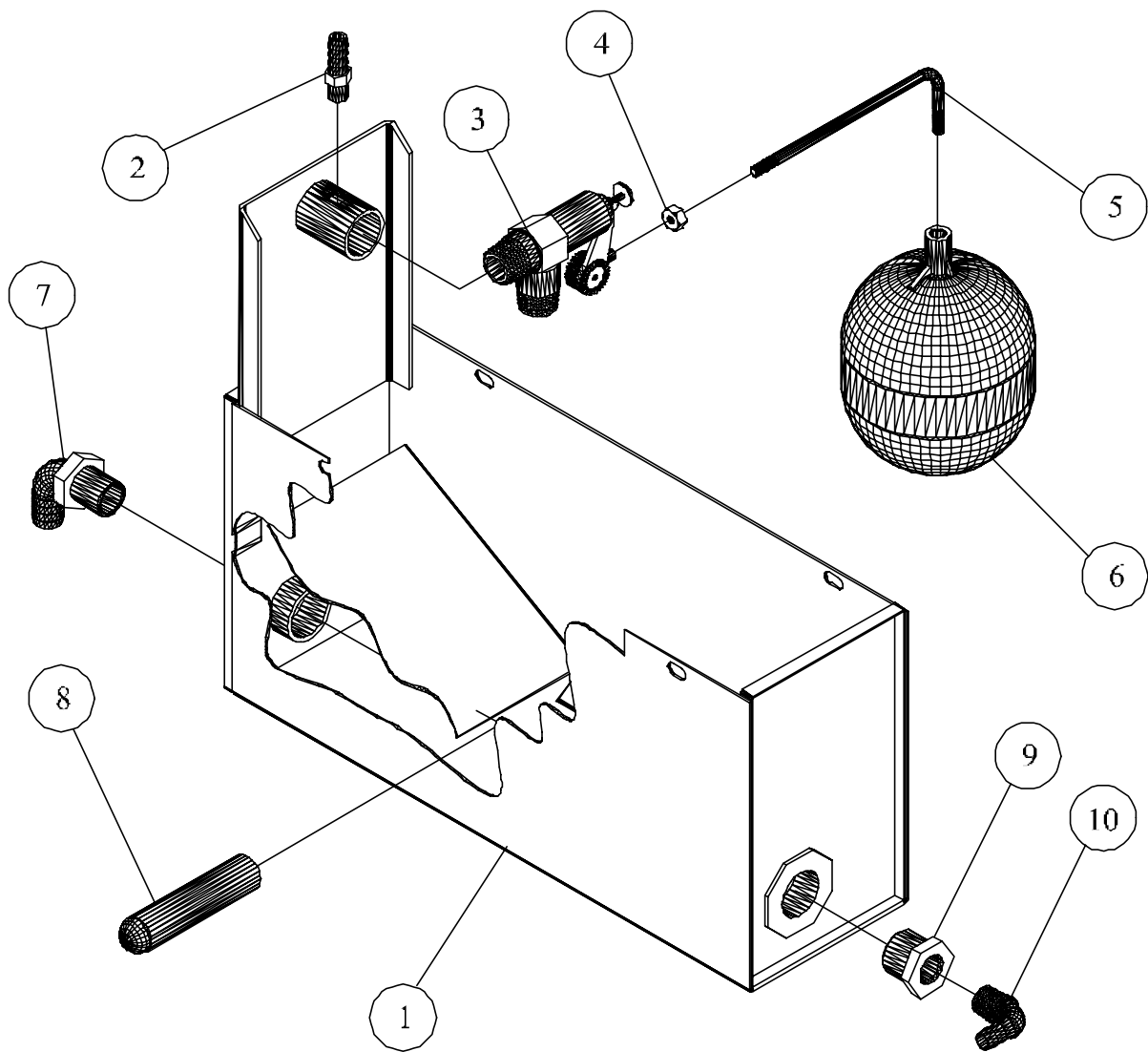
ITEM NO.	QTY.	DESCRIPTION	PART NO.
1-A	1	BURNER,NAT,#640JETS,0#51,X-10,W/Q314B101	JD2359-B
1-B	1	BURNER, LP, #640 JETS, 0#62, X-10 W/Q314B1019 BEFORE 12/6/01	JD2359-A
1-C	1	BURNER,LP,#640,JETS,0#60,X10,W Q314B1019 AFTER 12/6/01	JD2359-C
2	1	NIPPLE, STEEL, SCH40, 3/4NPT X 6LONG	JD1021
3	2	ELBOW, STREET, MI,150#3/4NPT	JD1016
4	1	UNION, FEMALE, MI, 150#.BRASS-IR SEAT,3/4NPT	JP 742
5	2	NIPPLE, STEEL, SCH40, 3/4NPT X 2LONG	JD1303
6	1	VALVE, COMBINATION, NAT, 24V, 3/4, ELECT-IGN	JP7708-A
7	1	BRACKET, MANIFOLD, INLET, 1223, GES	JD8527
8	1	ELBOW, FEMALE, MI, 150# 3/4 NPT	JD 955
9-A	1	PILOT, BURNER, NAT, Q314B1019	JD2359-01
9-B	1	PILOT, BURNER, LP, Q314B1019-LP	JD2359-02
10	1	SENSOR, IGNITOR, W/MT-BRKT & HARDWARE, 60' LD	JP7694-D
11	1	TUBING, ALUMINUM, 1/4 O.D. X .032 WALL	JD1820
12-A	1	JET,BURNER,GAS,NATURAL,BRASS,#51,.067	JD3027-A
12-B	1	JET, BURNER, GAS, LP, BRASS. #62, .038	JD3029
13-A	1	REGULATOR, CONVERSION, NAT-TO LP. ROBERT SHW	JD2366-04
13-B	1	REGULATOR, CONVERSION, LP TO NAT. ROBERT SHW	JD2366-C

FIGURE 1-2 ( Burner, Gas, Natural, Fittings, JP4900-B, LP Fittings,JP4900-A, Hpw 753 Assy)



ITEM NO.	QTY.	DESCRIPTION	PART NO.
1	1	VALVE, RELIEF, 0-1200 PSI, 160F, 3/8N PTM	JD7048-D
2	1	MANIFOLD, FITTINGS, STEEL, PLATED, ALL UNITS	JP7716
3	1	ELBOW, STREET, 45°, STEEL, PLATED, 3/8 NPT	JD1678
4	1	BARB, HOSE, ELBOW, MALE, BRASS, 3/8HS X 3/8 NPT	JD7149
5	1	TEE, FEMALE, STEEL, PLATED, 3/8 NPT	JD3971
6	1	PLUG, SOCKET, HEX, BRASS, 3/8 NPT	JD7151
7	1	VALVE, UNLOADER, PSI, 2000PSI, 6 GPM	JD3324-F
8	1	SWITCH, PSI, SP, ST, NO, 15A,230V, 3/8NPT	JD3977

FIGURE 1-3 (Manifold, Valve, Fitting, JD8207, Hpw 753, Assy)



ITEM NO.	QTY.	DESCRIPTION	PART NO.
1	1	TANK, FLOAT, SS, BOLT-ON, ASSY	JD8015
2	1	BARB HOSE 1/4 HOSE X 1/8 NPT	JD6132
3	1	VALVE,FLOAT,BRASS,60PSI,1/2"NPTM	JD2988-B
4	1	NUT, HEX, STEEL, PLATED, 1/4-20	JD 791
5	1	ROD, FLOAT, BENT, BRASS, 1/4 X 5-5/8 LG X 1/4-20	JD1416-02
6	1	BALL, FLOAT, PLASTIC, BLACK	JD1416-01
7	1	BARB,HOSE,ELBOW,MALE,BRASS,1/2HS X 3/4NPT	JD7058
8	1	STRAINER, WATER, SS, 30MESH, 47/64 O.D. X 3-1/8 LG	JD3843-B
9	2	BUSHING, REDUCER, HEX, BRASS, 3/4 X 3/8	JD3114
10	1	BARB, HOSE, ELBOW, MALE, BRASS, 3/8HS X 3/8NPT	JD7149

FIGURE 1-4 (Tank, Float, Fitting, JD8245-S, Hpw 753, Assy)



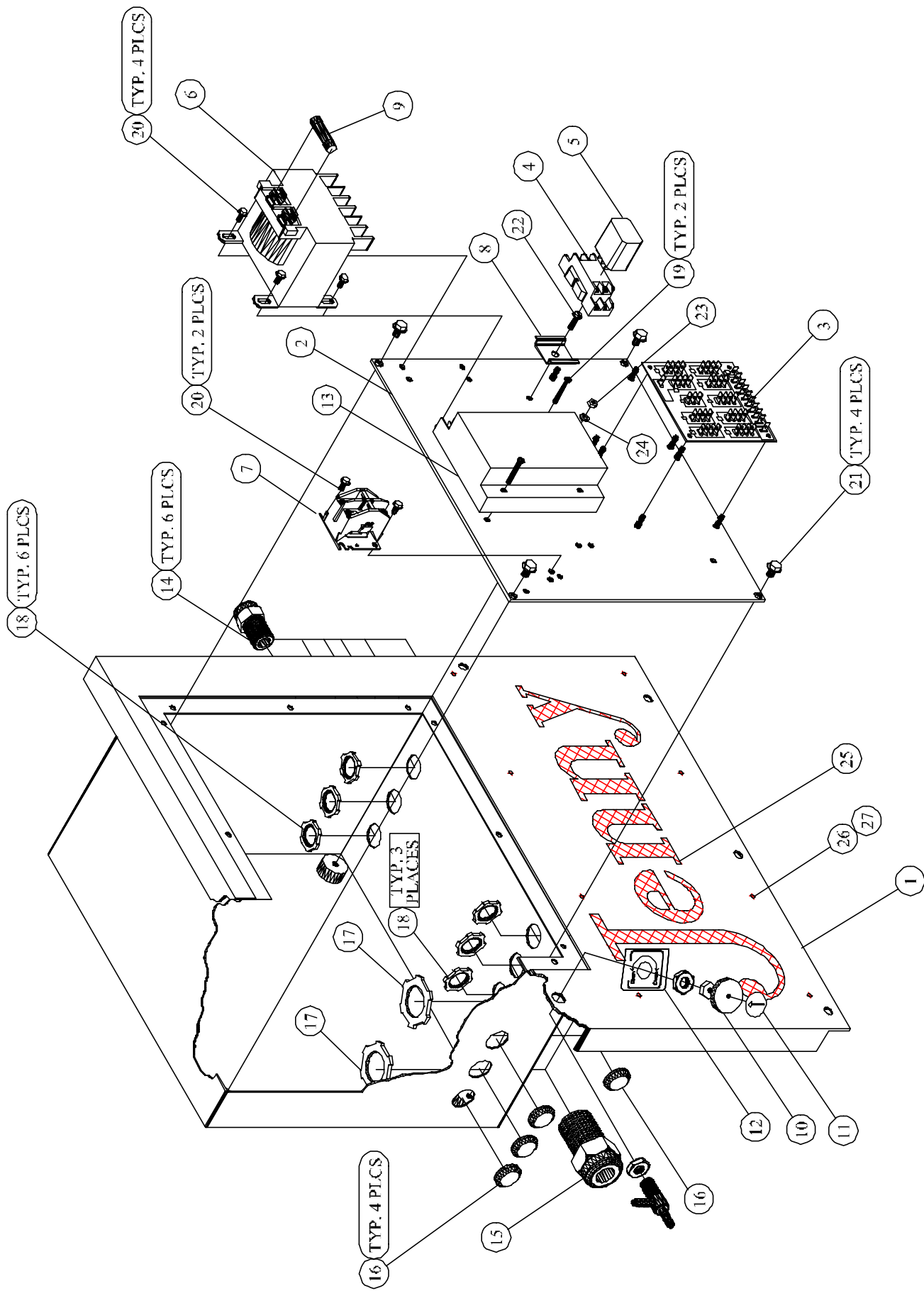
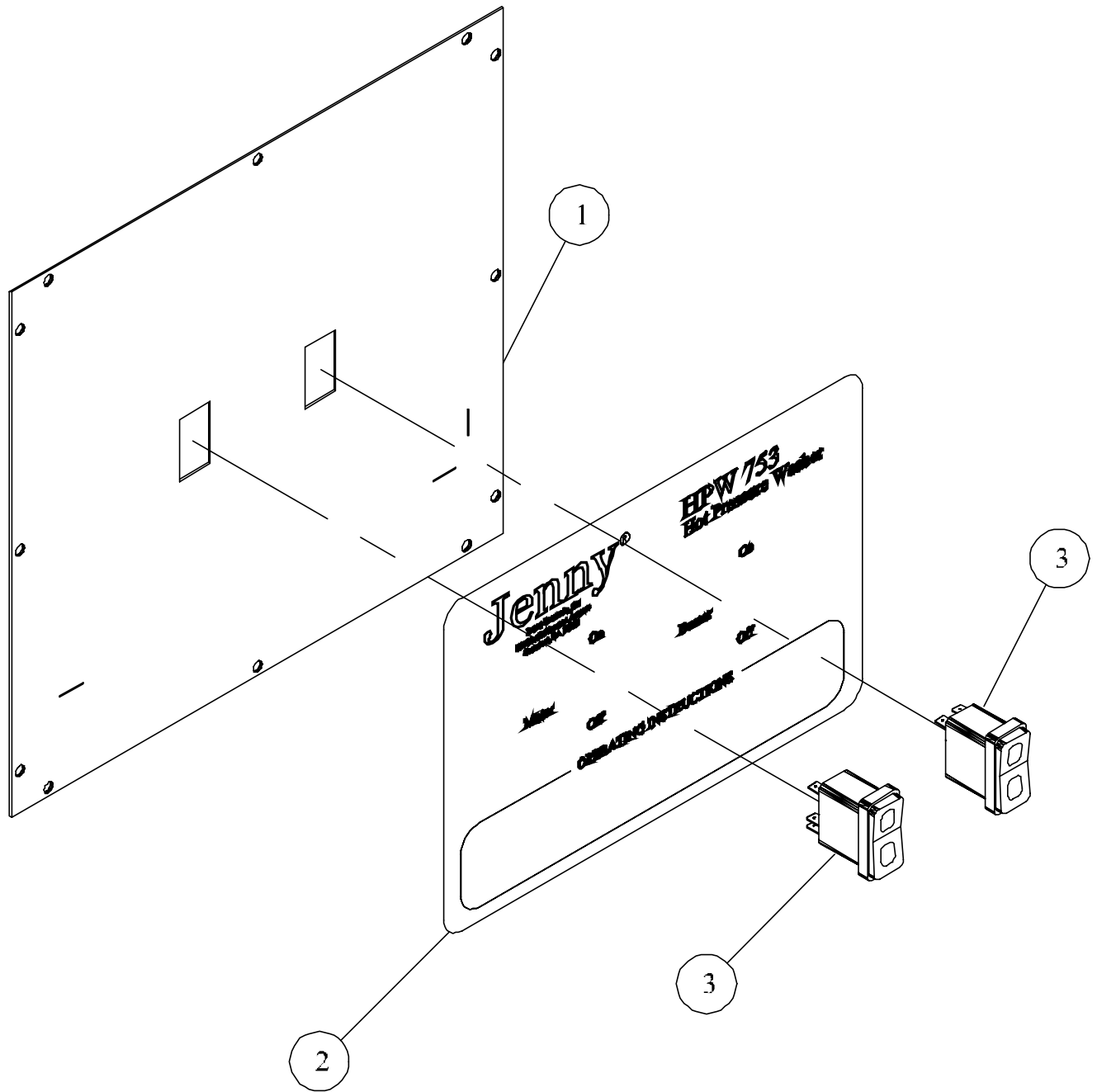


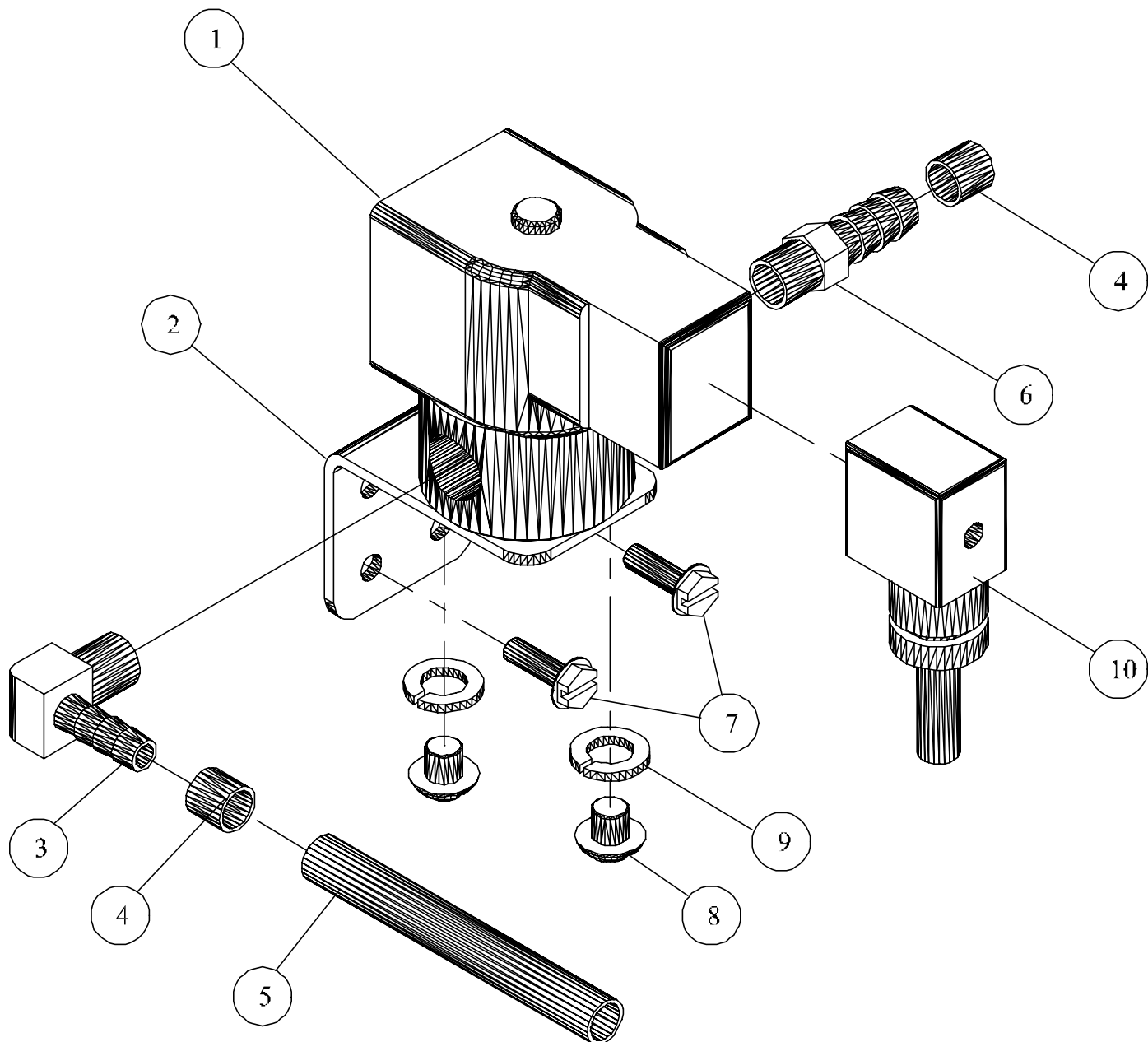
FIGURE 1-5 (BOX, JUNCTION, PANEL, FRONT, 115V-230/1PH,30A,GAS, JE2003)

<b>ITEM NO.</b>	<b>DESCRIPTION</b>	<b>QTY.</b>	<b>PART NO.</b>
1	PANEL,CONTROL,BOX,JUNCTION,STL,PNTD,GES	1	JD8511
2	PLATE,MOUNTING,PANEL,CONT,BOX,JCT,ST,GES	1	JD8512
3	BOARD,CIRCUIT,PRINTED,ALL MACHINES	1	JB5000
4	BASE,RELAY,DP	1	JD7819-A
5	RELAY,DP,DT,24VAC	1	JD7819
6	TRNSFRMR,CTRL,OPN,100VA,120-460VP,24VS	1	JD2868
7	CONTACTOR,DP,OP,2P,30A,24V	1	JP3530-D
8	RAIL,DIN,STL,PLTD,TAIL,DOVE,1 3/8X5/16	0.16	JD7768-A
9	FUSE,ELEMENT,DUAL,DELAY,TIME,250V,6AMP	1	JD3107-11
10	VALVE,NEEDLE,SOLUTION,BRASS,1/4IDHS-BARB	1	JD6248-A
11	DECAL,INDICATOR,HANDLE,VALVE	1	JD7143
12	DECAL,SOLUTION,METERING,VALVE	1	JD7821
13	CONTROL,IGNITION,UNIT,LOCKOUT,SP745	1	JP7694-A
14	CONNECTOR,RELIEF,STRAIN,1/4-3/8,1/2 NPTM	6	JD1687-06
15	CONNECTOR,RELIEF,STRAIN,.5/8-3/4,3/4NPTM	2	JD1687-17
16	PLUG,HOLE,PLASTIC,BLACK,7/8"	3	JD3856
17	NUT,LOCK,CONDUIT,STEEL,PLATED,3/4"	2	JD7728
18	NUT,LOCK,CONDUIT,STEEL,PLATED,1/2"	6	JP 809
19	SCREW,MACHINE,PHILLIP	2	JD838
20	SCREW,FLANGE,HEX,SERR,ST,PL,8-32x3/8	6	JD7901-B
21	SCREW,FLANGE,HEX,SERR,ST,PL,1/4-20X1/2	4	JD7904-A
22	SCREW,SLF DRL,HEX WASHER,PLTD,#10x5/8	1	JD7074-A
23	NUT,HEX,STEEL,PLATED,10-32	1	JD 781
24	WASHER,LOCK,SPLIT,STEEL,PLATED,#10	1	JD 624
25	SCREEN,COVER,MACHINE,ST,PAINTED	1	JP7720-01
26	RIVET,AL,.160-.164 HOLE,.063-.125 GRP,5/32	1	JP7720-02
27	WASHER,FLAT,SS,3/4 O.D.X 5/32 I.D. X 20 GAUGE	1	JP7720-03



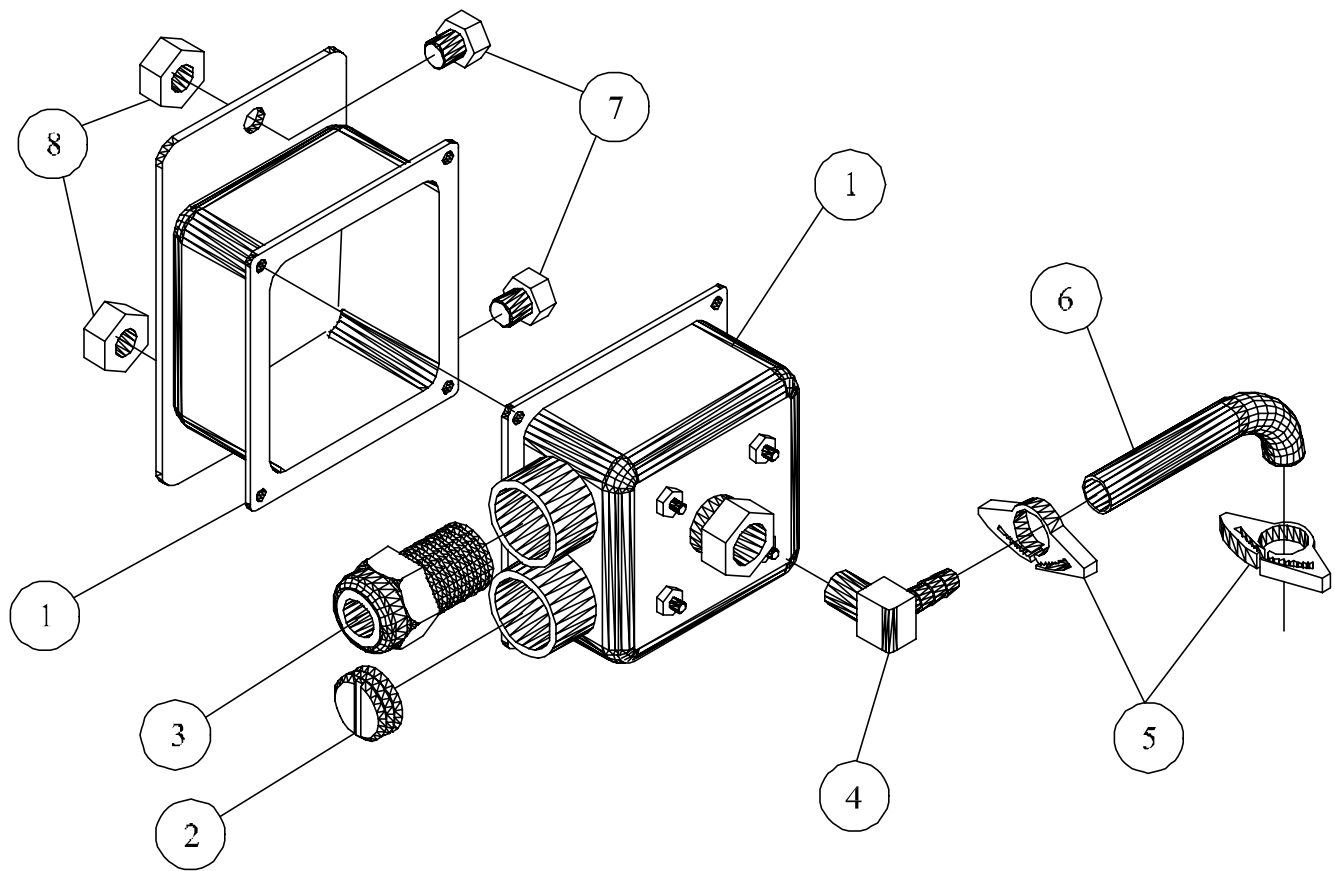
ITEM NO.	QTY.	DESCRIPTION	PART NO.
1	1	PLATE, COVER, PANEL, CONT, BOX, JCT., HPW, GES	JD8513
2	1	DECAL, PANEL, INSTRUCTION, HPW 753, OEP-GES	JD8400
3	2	SWITCH, ROCKER, SP, ST, 10A, 24V, LED, LIGHT	JE1004

Figure 1-6 (Panel, Instruction, Fitting, JD8513, Hpw 753, Assy)



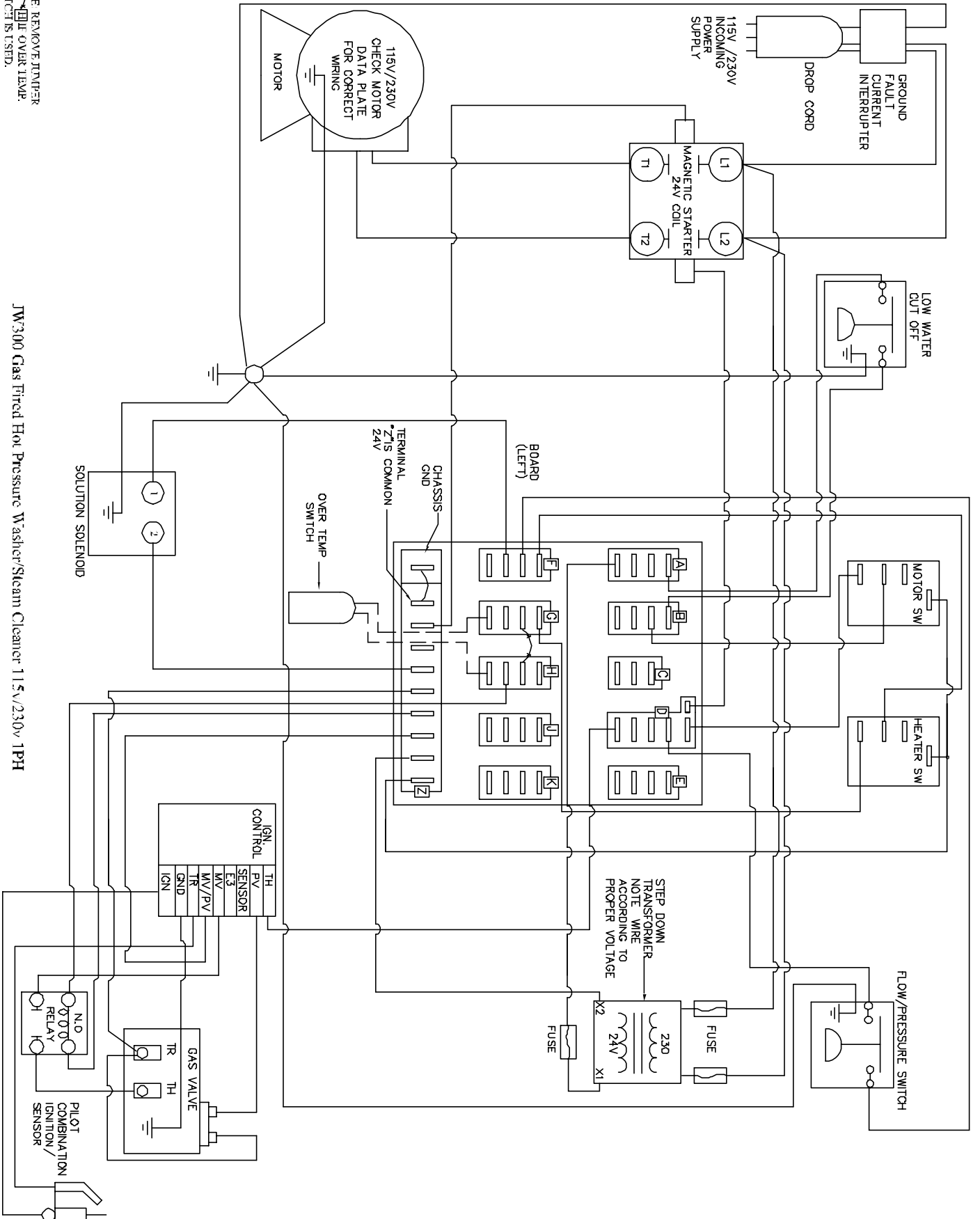
ITEM NO.	QTY.	DESCRIPTION	PART NO.
1	1	VALVE, SOLENOID, SOLUTION, 24V, 1/4NPT	JD2162-F
2	1	BRACKET, MOUNTING, SOLUTION, SOLENOID	JD7760
3	1	BARB, HOSE, ELBOW, MALE, BRASS, 1/4HS X 1/4 NPT	JD7078
4	2	CLAMP, SLEEVE, PLASTIC, 3/8 I.D.	JD2759
5	1	TUBING, PVC, CLEAR, 3/8 O.D. X 1/4 I.D.	JD3087
6	1	BARB HOSE 1/4 HS X 1/4 NPT	JD2765
7	2	SCREW, SLF, DRL, HEX WASHER, PLTD, #10 X 5/8	JD7074-A
8	2	SCREW, MACHINE, PHILLIPS, ST, PL, 10-32 X 3/8	JD3234
9	2	WASHER, LOCK, SPLIT, STEEL, PLATED, #10	JD624
10	1	CONNECTOR, SOLENOID, RELIEF, STRAIN, DIN	JD7703

FIGURE 20-1 (VALVE, SOLUTION, SOLENOID, JD2162-F, ASSY)



ITEM NO.	QTY.	DESCRIPTION	PART NO.
1	1	SWITCH, PRESSURE, W/BACKET, WELDED ASSY	JP7731
2	1	PLUG, HOLE, BOX, JUNCTION, 1/2 NPS	JD7719
3	1	CONNECTOR, RELIEF, STRAIN, 1/4-3/8, 1/2NPM	JD1687-06
4	1	BARB, HOSE, ELBOW, MALE, BRASS, 1/4HS X 1/4NPT	JD7078
5	2	CLAMP, HOSE, NYLON, BLACK, .406/.468 DIA	JD-7859-A
6	1	TUBING, PVC, REINFORCED, 1/4ID	JD7850
7	2	SCREW, FLANGE, HEX, SERR,ST, PL, 1/4-20 X 1/2	JD7904-A
8	2	NUT, LOCK, FLANGE, HEX, SERR, ST, PL, 1/4-20	JD7774-D

FIGURE 20-2 (SWITCH, PRESSURE, W/BRACKET, WELDED, JD7731, ASS'Y)



NOTE REMOVE JUMPER  
 FROM OVER TEMP  
 SWITCH IS TESTED.

JW300 Gas Fired Hot Pressure Washer/Steam Cleaner 115V/230V 1PH