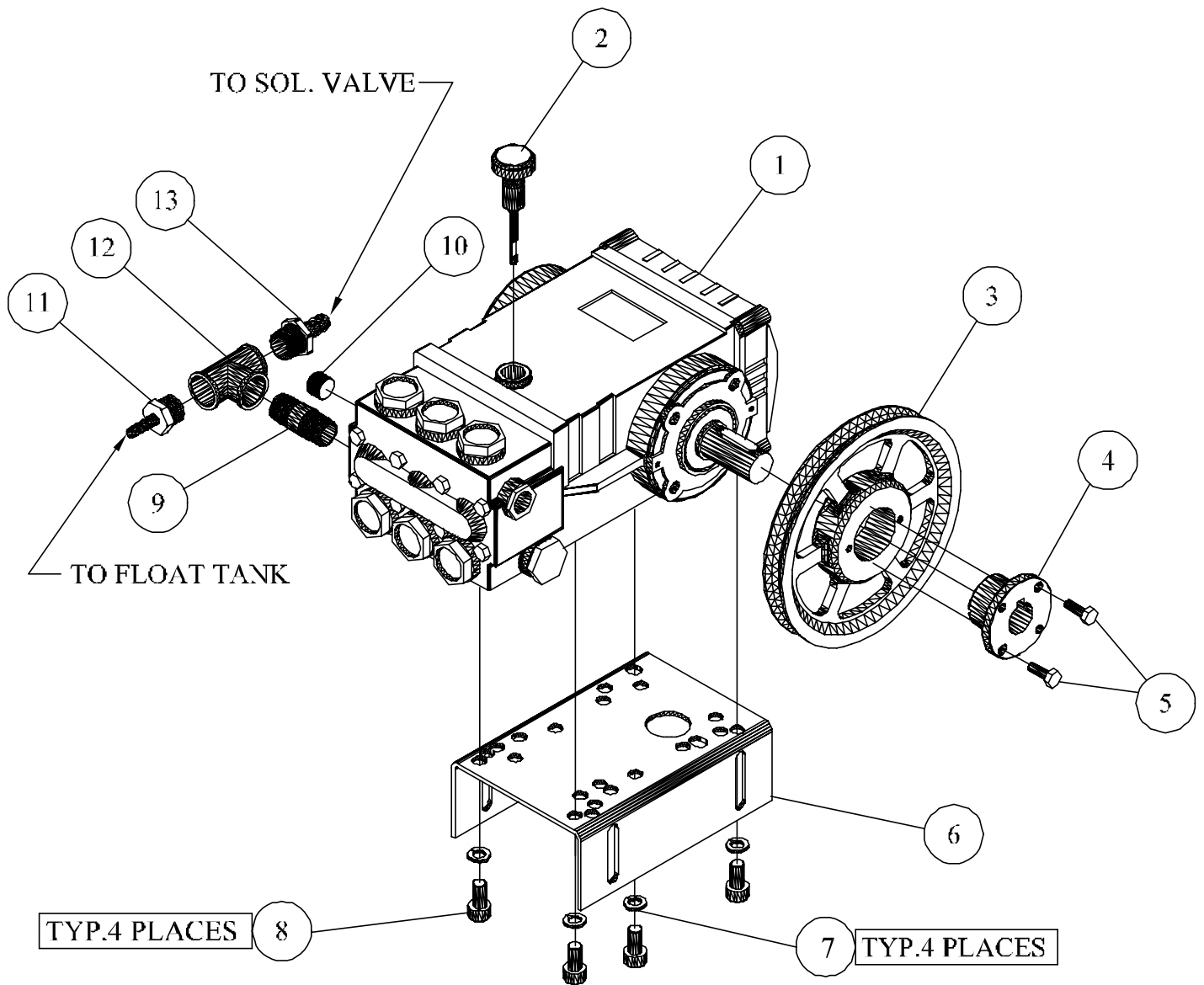


JENNY PRODUCTS INC.  
 SJ 120, GES 115/60V/1PH, N/C, LWC, ELECT-IGN

TYP 72 71

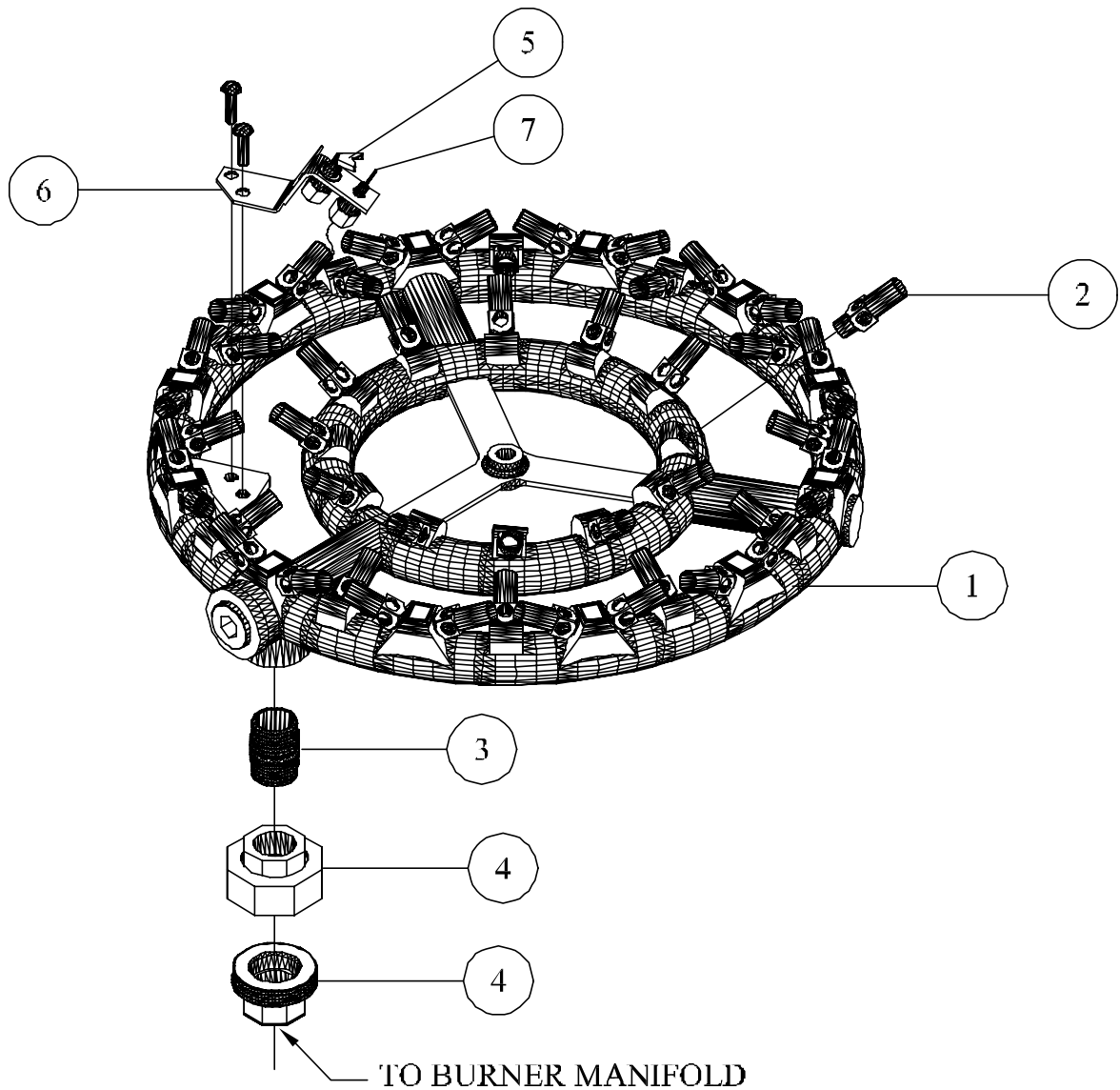
SJ 120,GES,N/C,L WC			
115/60V/IPH,			
PARTS LIST			
Notes: Figure 20-(Common Parts			
Electrical Dia. File: Jw 300 W/ 3PH			
Jw 304			
ITEM NO.	DESCRIPTION	QTY.	PART NO.
1	CHASSIS,MODULE,MOTOR-PUMP,GES,GES,LES	1	JD8500
2	CHASSIS,MODULE,COIL,ST Y,PNTD,B-SIZE	1	JD8502
3	CASING,COIL,STEEL,PAINTED,SIZE-B	1	JD8505
4	LEGS,STATIONARY,STEEL,PAINTED,GES	4	JD8507
5	LEG,ADJUSTABLE,FRONT,STEEL,PAINTED,GES	1	JD8508
6	LEG,ADJUSTABLE,REAR,STEEL,PAINTED,GES	1	JD8509
7	PANEL,SUPPORT,COVER,REAR,STEEL,PNTD,GES	1	JD8510
8	PANEL,SIDE,MODULE,CHASSIS,MTR-PMP,ST,GES	1	JD8515
9	BRACKET,SUPPORT,BURNER,ST,GES,SIZE-B	1	JD8518
10 ASSY	COVER,SS,ASSY,NEW,GES	1	JD8523
11	COVER,MACHINE,SS,GES,	1	JD8516
12	MOLDING,RUBBER,FOAM,ADHESIVE,1/2WX1/8T	1	JD3782-B
13	SCREW,PHILLIPS,HEAD,"N",COVER	10	JP7733
14	RETAINER,SCREW,PHILLIPS,HEAD,"N"	10	JP7733-02
15	SHIELD,HEAT,BURNER,ST,PAINTED,GES,SIZE-B	1	JD8521
16	INSULATION,CERAMIC,1X34X58,6#	1	JD3181
17	WASHER,STRAINER,MESH,WIRE,BRASS,#30	2	JD 809
18 ASSY SEE FIG 1-9	TANK,FLOAT,ASSY,W/FITTINGS,SP 100-150 GES	1	JD8245-S
19	BAFFLE,TANK,FLOAT,REMOVABLE	1	JP3385-08
20	ADAPTER,EXPANDING,BRASS,1/2MX1/2F	1	JD6224-04
21	NIPPLE,BRASS,1/2NPTX3LONG	1	JD3094-02
22	ELBOW,FEMALE,BRASS,FORGED,1/2NPT	1	JD 692-02
23	CONNECTOR,BRASS,3/4 GARDEN HOSE X 1/2NPTM,SWIV	1	JD7142
24-A	MOTOR,1HP,115-230/60/1,1725RPM,TEFC,F2	1	JB3003
24-B	MOTOR,1HP,230-460/60/3,1725RPM,TEFC,F2	1	JB3004
24-C	MOTOR,1HP,575/60/3,1725RPM,TEFC,F2	1	JB3005
25	PULLEY,CI,SG,TH,BK47H,3 7PDA,4.1PDB	1	JD3904-42
26	BUSHING,PULLEY,TAPERED,5/8"BORE	1	JD3915-01
27	CONNECTOR,RELIEF,STRAIN,1/4-3/8,1/2NPTM	1	JD1687-06
*28-A	WIRE,SO,CPE,BLACK,14/4,3PH	2	JE 442
*28-B	WIRE,S/O,CPE,BLACK,12/3,1PH	1	JE 432
29	TUBING,PVC,REINFORCED,3/8"ID	4'	JD7575
30	PLATE,NAME,ALUM,PRINT,BLACK,4X4	1	JD3456
31	HOSE,COMBINATION,JENNY,3/8X50'	1	JD7624
32 ASSY SEE FIG. 20-2	SWITCH,PRESSURE,W/BRACKET,WELDED	1	JP7731
33 ASSY SEE FIG 1-3	MANIFOLD,FITTINGS,VALVE,ASSY,SJ70,GES	1	JD8220
34	BELT,VEE,COG,AX42	1	JD3950
35 ASSY SEE FIG. 20-1	VALVE,SOLENOID,SOLUTION,24V,1/4NPT	1	JD2162-F
36	CLAMP,SLEEVE,PLASTIC,3/8 I.D.	4	JD2759
37	HOSE,HYD,3K.PSI,23"L,3/8NPTM,90D-3/8NPTM	1	JD7542
38	RECEPTICAL,CLIP-ON,STEEL,DACROTIZED	10	JP7733-01
39 ASSY SEE FIG 1-8	NOZZLE,STEAM & FAN COMBINATION,FITTINGS,SJ 120	1	
40 ASSY SEE FIG 1-7	GUN,SCH80,N/C,W/O,SWIVEL,ASSY,3/8",COMB	1	JP4261-H
41 ASSY SEE FIG 1-1	PUMP,MOUNTING & FITTINGS,ASSY,120GPH	1	JD8308

42ASSY SEE FIG 1-4	CONTROL,BURNER,INLET,ASSY,GES,LES	1	JP5927-J
*43-A ASSY SEE FIG 1-2	BURNER,GAS,NATURAL,ASSY,760,760-C	1	JP5940-A
*43 -B ASSY SEE FIG 1-2	BURNER,GAS,LP,ASSY,760-1000	1	JP5942-A
44-A ASSY SEE FIG 1-5	BOX,JCT,PANEL,FRONT,115-230/1PH,30A,GAS	1	JE2003
44-B ASSY SEE FIG 1-5	BOX,JCT,PANEL,FRONT,230-575/3PH,30A,GAS 1-3HP	1	JE2005-A
45ASSY SEE FIG 1-6	PLATE,COVER,PANEL,CONT,BOX,HPW,GES	1	JD8513
46	HOSE,HYD,3K PSI,44" LONG,3/8NPTM, 3/8NPTM	1	JD7874
47	WASHER,FLAT,SS,3/4 OD X 5/32 ID X 20 GAUGE	8	JP7720-03
48	SCREEN,COVER,MACHINE,SI,PAINTED	1	JP7720-01
49	RIVET,AL,,160-164 HOLE,063-125GRP,5/32	8	JP7720-02
50-A	CORD,DROP,GFCI,120V,15A,40FT, 1HP	1	JD7179-A
50-B	CORD,DROP,GFCI,240V,15A,40FT, 1HP	1	JD7179-D
51	TAG,WARNING,WATER TRAP,GAS FIRED UNTT	1	JD7207
52	TAG,WARNING,GAS PRESSURE	1	JD3097
53	COIL,GAS,FIRED,1/2" PIPE,SCH80	1	JP5909
54	TEE,FEMALE,STEEL,PLATED,1/2NPT	1	JD3734-01
55	BUSHING,REDUCER,HEX,STEEL,PLATED,1/2X 3/8	2	JD2599
56	ELBOW,FEMALE,STEEL,PLATED,1/2NPT	1	JD 692
57	PLUG,FUSIBLE,ASSY,340 DEGREE F	1	JP3921-C
58	RING,CASING,COIL,SS,7-15/16ID	1	JD3168
59	LUG,TERMINAL,COPPER,3/16BOLT,6-14GAUGE	1	JD6152
60	CLAMP,HOSE,NYLON,BLACK, 750/ 875DIA	2	JD7859-F
61	GROMMET,RUBBER,BLACK,5/8" I.D.	2	JD3385
62	GROMMET,RUBBER,BLACK,7/16" I.D.	6	JD3385-01
63	ELBOW,REDUCER,STL,PLATED,90DEG,FEM. 1/2 X 3/8	1	JD7847
64	GROMMET,RUBBER,BLACK,1-1/2" I.D.	3	JP 675
65	STRAINER,CHEMICAL,BRASS,1/4" HOSEBARB	1	JD7140-A
66	TUBING,PVC,CLEAR,3/8ODX1/4ID	7.1	JD3087
67	SCREW,FLANGE,HEX,SERR,ST,PL,1/4-20X1/2	22	JD7904-A
68	BOLT,ELEVATOR,STEEL,PLTD,3/8X2-1/2,1"HD	2	JD7906-G
69	SCREW,SLF TAP,PHILLIPS,ST,PL,8-32X3/8	12	JD3043
70	SCREW,FLANGE,HEX,SERR,ST,PL,5/16-18X1/2	2	JD7905
71	SCREW,FLANGE,HEX,SERR,ST,PL,3/8-16X3/4	37	JD7906-A
72	NUT,LOCK,FLANGE,HEX,SERR,ST,PL,3/8-16	6	JD7774-F
73	SCREW,CAP,HEX HD,ST,PL,FLT,3/8-16X2-1/4"	2	JD7035
74	NUT,LOCK,FLANGE,HEX,SERR,ST,PL,1/4-20	8	JD7774-D
75	CLAMP,GEAR,WORM,SS,7/16 TO 25/32" DIA.	2	JD3068
76	SCREW,SLF DRL,PHILLIP,ST,PLTD,#8X1/2	4	JD6050
77	SCREW,SLF DRL,HEX WASHER,PLTD,#10x5/8	7	JD7074-A
78	SCREW,CARRIAGE,GR5,ST,PL,3/8X6	2	JD7798
79	SCREW,CAP,HEX HD,ST,PL,3/8-16X1-1/4"	1	JD 514
80	WASHER,LOCK,SPLIT,STEEL,PLATED,3/8"	1	JD 613
81	NIPPLE,STEEL,SCH80,1/2NPTX27-1/2LONG	1	JD3111
82	BRACKET,OUTLET,COIL,GES	1	JP5413-06
83	HOSE,SOLVENT,NEOPRENE,1/2"ID	1.6'	JD 946
84	SCREW,FLANGE,HEX,SERR,ST,PL,5/16-18X3/4	4	JD7905-B
85	NUT,LOCK,FLANGE,HEX,SERR,ST,PL,5/16-18	4	JD7774-E
NOT SHOWN	DECAL,WARNING,VALVE,TURN-OFF		JD6155-A
NOT SHOWN	TERMINAL,TONGUE,RING,3/16HOLE,18-22GAUGE	1	JD 928
NOT SHOWN	TERMINAL,TONGUE,FORK,#6HOLE,14-18GA WIRE	2	JD2347



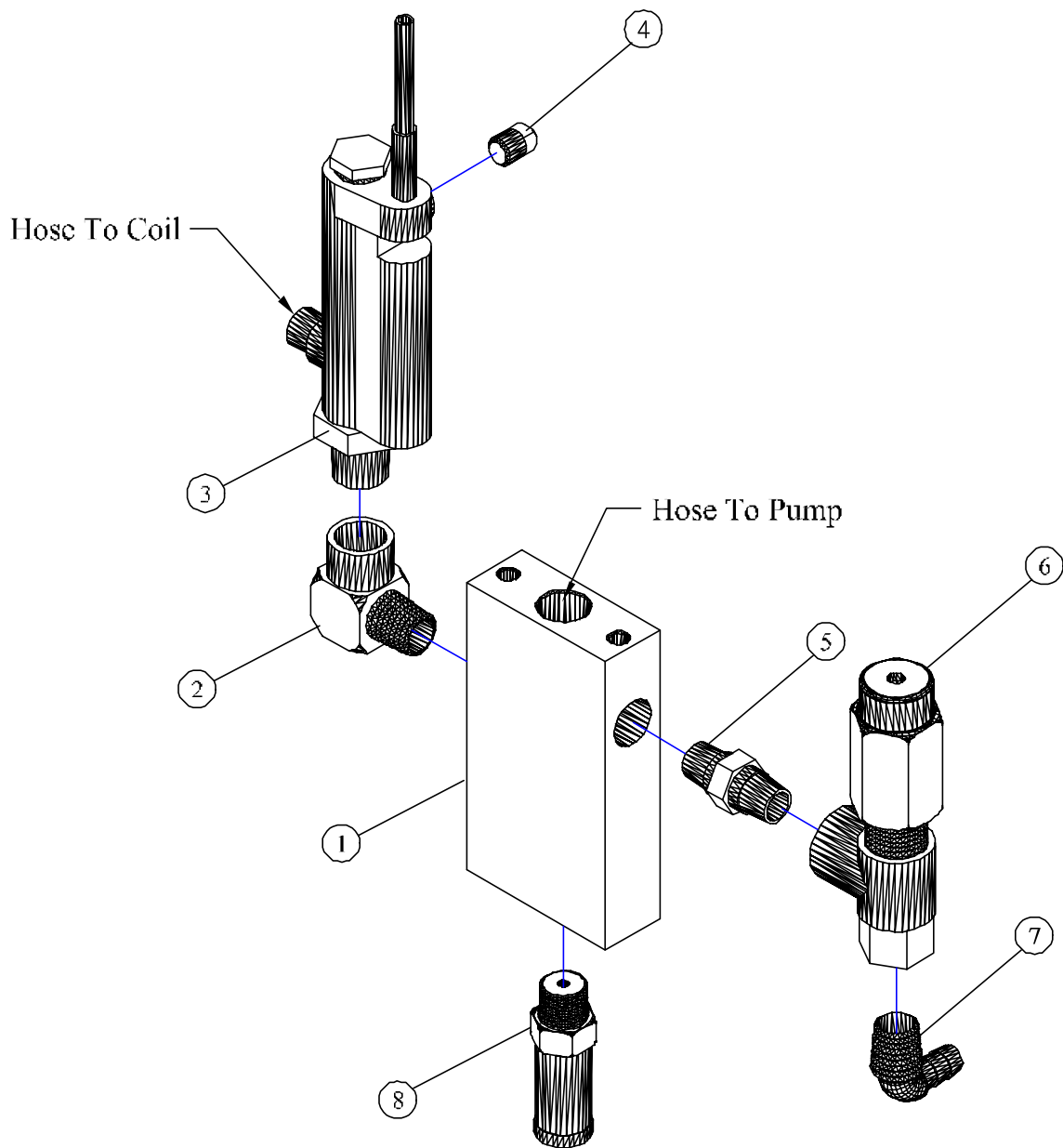
ITEM NO.	QTY.	DESCRIPTION	PART NO.
1	1	PUMP, PLUNGER, TRIPLEX, 2500PSI, 2.9GPM, AR	JD7957
2	1	OIL, DIP, STICK, (RECEIVED W/PUMP)	
3	1	PULLEY, CI, SG, TH, AK71H, 6.7 PDA, 6.36 D3L	JD3904-65
4	1	BUSHING, PULLEY, TAPERED, 24MM BORE	JD3915
5	2	H.H.B.1/4-20 UNC-3/4 CLASS 5 RECEIVED W/BUSHING	
6	1	PLATE, MOUNTING, PUMP, STEEL, PAINTED,	JD8016
7	4	WASHER, LOCK, 5/16	JD 612
8	4	SCREW, CAP, HEX, HEAD, ST, PLATED, M8-1.25 X 16MM	JD7258
9	1	NIPPLE, BRASS, 1/2 NPT X 1-1/2LONG	JD3094-01
10	1	PLUG, HEX, BRASS, 3/8NPT RECEIVED W/ PUMP	
11	1	BARB, HOSE, MALE, BRASS, 1/2 HS X 1/2 NPT	JD7707-A
12	1	TEE, FEMALE, BRASS, 1/2 NPT	JD3023
13	1	BARB, HOSE, MALE, BRASS, 1/4 HS X 1/2 NPTM	JD7826

FIGURE 1-1 (Pump, Mounting, Fitting, JD8308, SJ 120 GES, Assy)



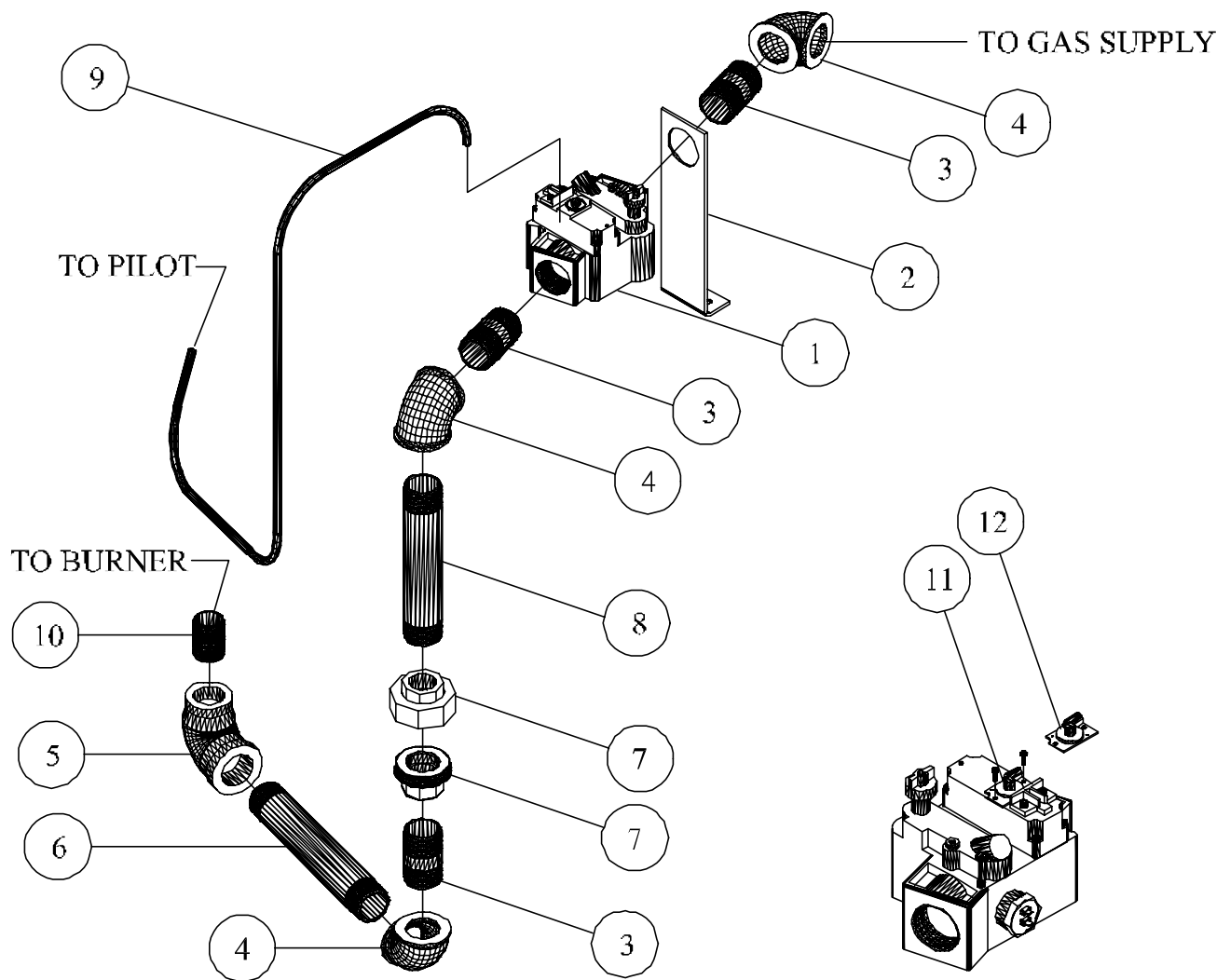
ITEM NO.	QTY.	DESCRIPTION	PART NO.
1-A	1	BURNER, NAT, #640 JETS, 0#52, X-44	JD3161
1-B	1	BURNER,LP,#640 JET,O#60,X-44,W/PILOT,L10	JD3264
2-A	44	JET, BURNER, GAS, NATURAL,BRZ,#52,.064	JD3082
2-B	44	JET,BURNER,GAS,LP,BRASS,#60,.040	JD3256
3	1	NIPPLE,CLOSE,STEEL,SCH40,3/4"NPT	JD1181
4	1	UNION,FEMALE,MI,150# BRASS SEAT,3/4 NPT	JP 742
5-A	1	PILOT,BURNER,NAT,Q314B1019	JD2359-01
5-B	1	PILOT,BURNER,LP,Q314B1019-LP	JD2359-02
6-A	1	BRACKET,BURNER,PILOT,GES,LES	JD2359-05
7	1	SENSOR,IGNITOR,W/ BRKT & HARDWARE, 60"LEAD	JP7694-D

FIGURE 1-2 (Burner, Gas, Nat, JP5940-A (NAT) JP5942-A (LP) SJ 120 GES, Assy)



ITEM NO.	QTY.	DESCRIPTION	PART NO.
1	1	MANIFOLD, FITTINGS, STEEL, PLATED, ALL, UNITS	JP7716
2	1	ELBOW, STREET, STEEL, PLATED 3/8 NPT	JD3717-03
3	1	SWITCH, FLOW, SP. ST, NO, 20VA, 3/8 NPTM	JD7279
	1	SWITCH, REPLACEMENT, REED, ASSY, 47" LEAD	JD7279-01
4	1	PLUG, HEAD, SQUARE, BRASS, 1/4 NPT	JD 679-02
5	1	NIPPLE. HEX, STEEL, PLATED, 3/8NPT X 3/8 NPT	JD3716-01
6	1	VALVE, UNLOADER, PSI ACT, REG, 2415PSI, 6.3 GPM	JD3324-Q
7	1	BARB, HOSE, ELBOW, MALE, BRASS, 3/8HS NPT	JD7149
8	1	VALVE, RELIEF, 0-1200 PSI, 160F, 3/8NPTM	JD7048-D

FIGURE 1-3 (Manifold, Fitting, Valve, JD8220-A, SJ 120 GES, Assy)



REGULATOR, CONVERSION, NATURAL GAS TO LIQUID PETROLEUM.

ITEM NO.	QTY.	DESCRIPTION	PART NO.
1	1	VALVE, COMBINATION, NAT, 24V, 1", ELECT-IGN	JD3845-J
2	1	BRACKET, MANIFOLD, PAINTED, GES	JP5928-03
3	3	NIPPLE, STEEL, SCH40, 1NPT, X 2" LONG	JD 884
4	3	ELBOW, FEMALE, MI, 150#, 1 NPT	JP2160-02
5	1	ELBOW, FEMALE, REDUCER, MI, 150# 1 X 3/4	JE 883
6	1	NIPPLE, STEEL, SCH40, 1 NPT" X 7"LONG	JD7875
7	1	UNION, FEMALE, MI, 150#, BRASS-IR SEAT, 1" NPT	JD7873
8	1	NIPPLE, STEEL, SCH40, 1" NPT X 6"LONG	JD1304-A
9	1	TUBING, ALUMINUM, 1/4 OD X .032 WALL	JD1820
10	1	NIPPLE, CLOSE, STEEL, SCH40, 3/4 NPT	JD1181
11	1	REGULATOR,CONVERSION,LP. TO NAT. ROBERT SHW	JD2366-C
12	1	REGULATOR,CONVERTER,NAT. TO LP. ROBERT SHW	JD2366-04

FIGURE 1-4 (Manifold, Burner, Inlet, JP5927-J, SJ 120,GES, Assy)

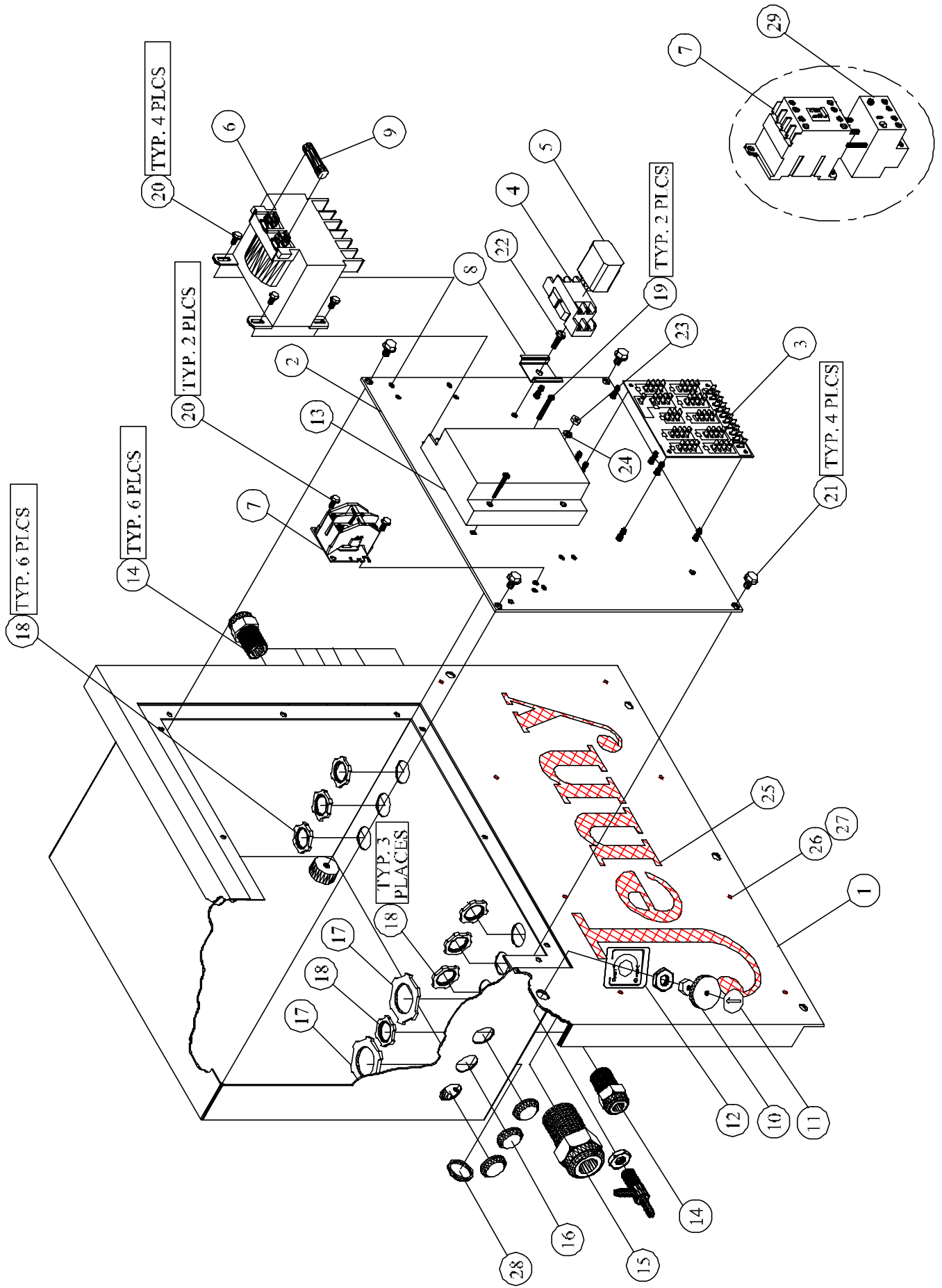
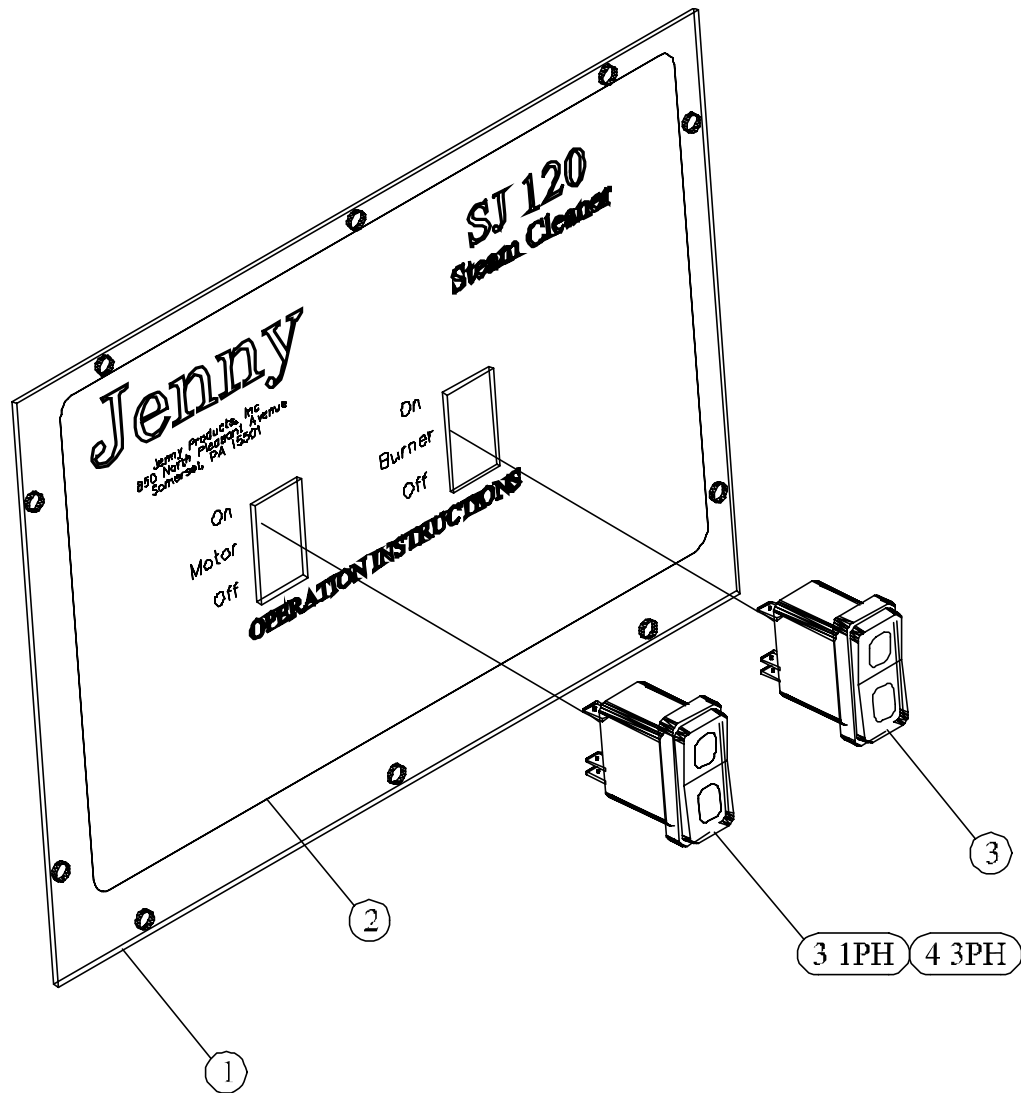


FIGURE 1-5 ( SJ 120, GES, Box, Junction, Panel, Front, 115-230/60/1PH, 30A, JE2003)



ITEM NO.	DESCRIPTION	QTY.	PART NO.
1	PANEL,CONTROL_BOX,JUNCTION,STL,PNTD,GES	1	JD8511
2	PLATE,MOUNTING,PANEL,CONT_BOX,JCT,ST,GES	1	JD8512
3	BOARD,CIRCUIT,PRINTED,ALL MACHINES	1	JB 5000
4	BASE,RELAY,DP	1	JD 78 19-A
5	RELAY,DP,DT,24VAC	1	JD 78 19
6-A	TRNSFRMR,CTRL,OPN,100VA,120-460VP,24VS	1	JD2868
6-B	TRNSFRMR,CTRL,OPN,100VA,600V,120V	1	JD 3987-13
7-A	CONTACTOR,DP,OP,2P,30A,24V	1	JP3530-D
7-B	CONTACTOR,DP,OP,3P,30A,24V,W/AUX CONTACT (BEFORE 5-1-01)	1	JD7651-B
7-C	STARTER,DP,OP,3P,30A,24V,CA 7 SERIES (AFTER 5-1-01)	1	JF7651-W
8	RAIL,DIN,STL,PLTD,TAIL,DOVE,1 3/8X5/16	0.16	JD 7768-A
9	FUSE,ELEMENT,DUAL,DELAY,TIME,250V,6AMP	1	JD 3107-11
10	VALVE,NEEDLE,SOLUTION,BRASS,1/4IDHS-BARB	1	JD6248-A
11	DECAL,INDICATOR,HANDLE,VALVE	1	JD 7143
12	DECAL,SOLUTION,METERING,VALVE	1	JD 7821
13	CONTROL,IGNITION,UNIT,LOCKOUT,SP745	1	JP7694-A
14	CONNECTOR,RELIEF,STRAIN,1/4-3/8,1/2 NPTM	6	JD 1687-06
15	CONNECTOR,RELIEF,STRAIN,5/8-3/4,3/4NPTM	2	JD 1687-17
16	PLUG,HOLE,PLASTIC,BLACK,7/8"	3	JD 3856
17	NUT,LOCK,CONDUIT,STEEL,PLATED,3/4"	2	JD 7728
18	NUT,LOCK,CONDUIT,STEEL,PLATED,1/2"	6	JP 809
19	SCREW,MACHINE,PHILLIP	2	JD 838
20	SCREW,FLANGE,HEX,SERR,ST,PL,8-32x3/8	6	JD 7901-B
21	SCREW,FLANGE,HEX,SERR,ST,PL,1/4-20X1/2	4	JD 7904-A
22	SCREW,SLF DRL,HEX,WASHER,PLTD,#10x5/8	1	JD 7074-A
23	NUT,HEX,STEEL,PLATED,10-32	1	JD 781
24	WASHER,LOCK,SPLIT,STEEL,PLATED,#10	1	JD 624
25	SCREEN,COVER,MACHINE,ST,PAINTED	1	JP7720-01
26	RIVET,AL,160-164 HOLE,063-125 GRP,5/32	8	JP7720-02
27	WASHER,FLAT,SS,3/4 O.D X 5/32 I.D. X 20 GAUGE	8	JP7720-03
28	PLUG,HOLE,PLASTIC,BLACK,1.093"	1	JD3856-05
29-A	RELAY,OVERLOAD,THERMAL,PLUG-IN,2 2-3.1A	1	JD7651-06
29-B	RELAY,OVERLOAD,THERMAL,PLUG-IN,1.0-1.4A	1	JD7651-03
29-C	RELAY,OVERLOAD,THERMAL,PLUG-IN,1.7-2.4A	1	JD7651-05
29-D	RELAY,OVERLOAD,THERMAL,PLUG-IN,2 4-4A (AFTER 5-1-01)	1	JD7651-31
29-E	RELAY,OVERLOAD,THERMAL,PLUG-IN,1.6-2.4A (AFTER 5-1-01)	1	JD7651-30
29-F	RELAY,OVERLOAD,THERMAL,PLUG-IN,1.0-1.6A (AFTER 5-1-01)	1	JD7651-29



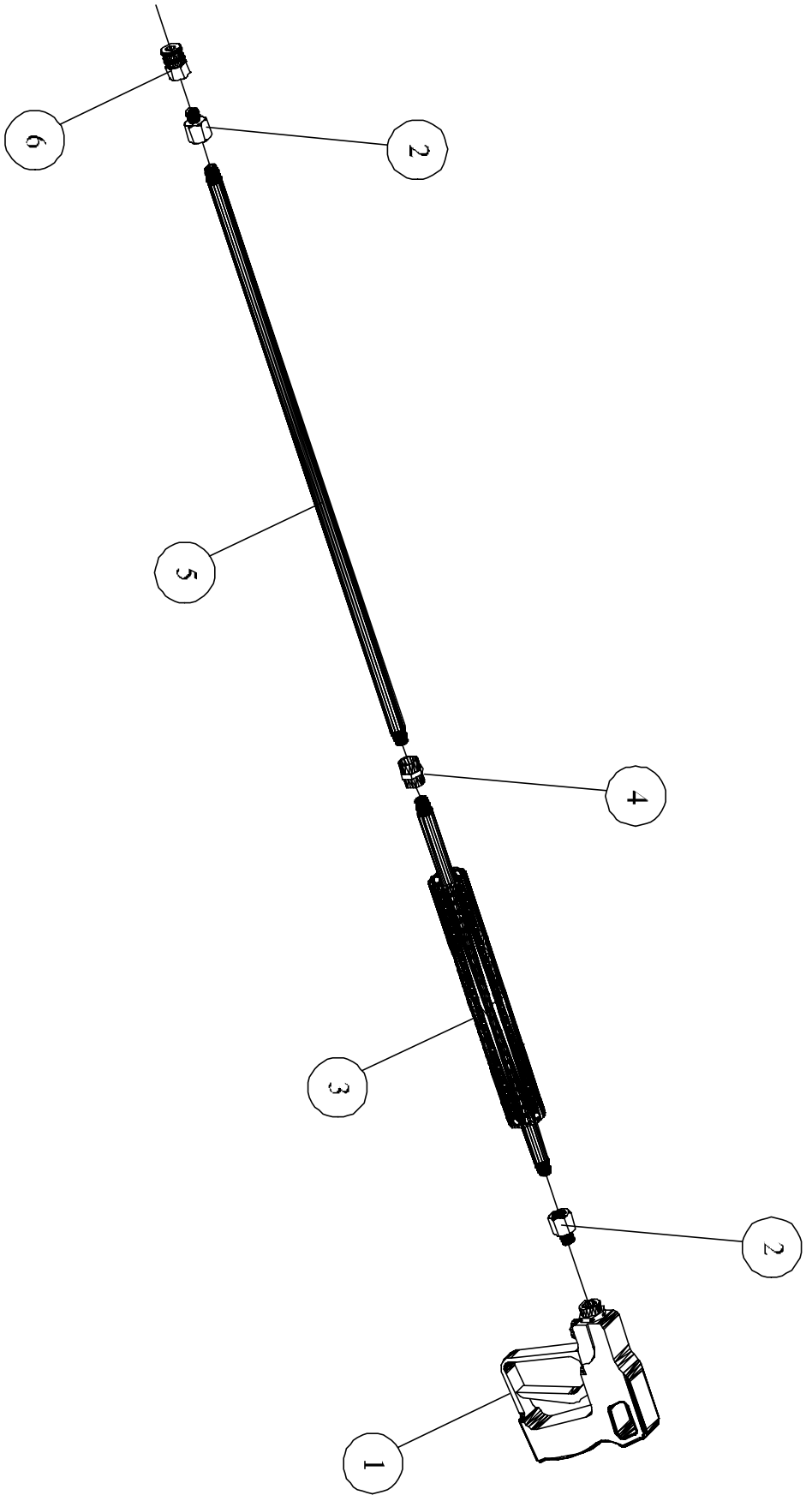
1 PH ONLY

ITEM NO.	QTY.	DESCRIPTION	PART NO.
1	1	PLATE, COVER, PANEL, CONTROL, BOX, JUNC	JD8513
2	1	DECAL, PANEL, INSTRUCTION, SJ 120, OEP & GES	JD8432
3	2	SWITCH, ROCKER, SP, ST, 10A, 24V, LED, LIGHT	JE1004

3 PH ONLY

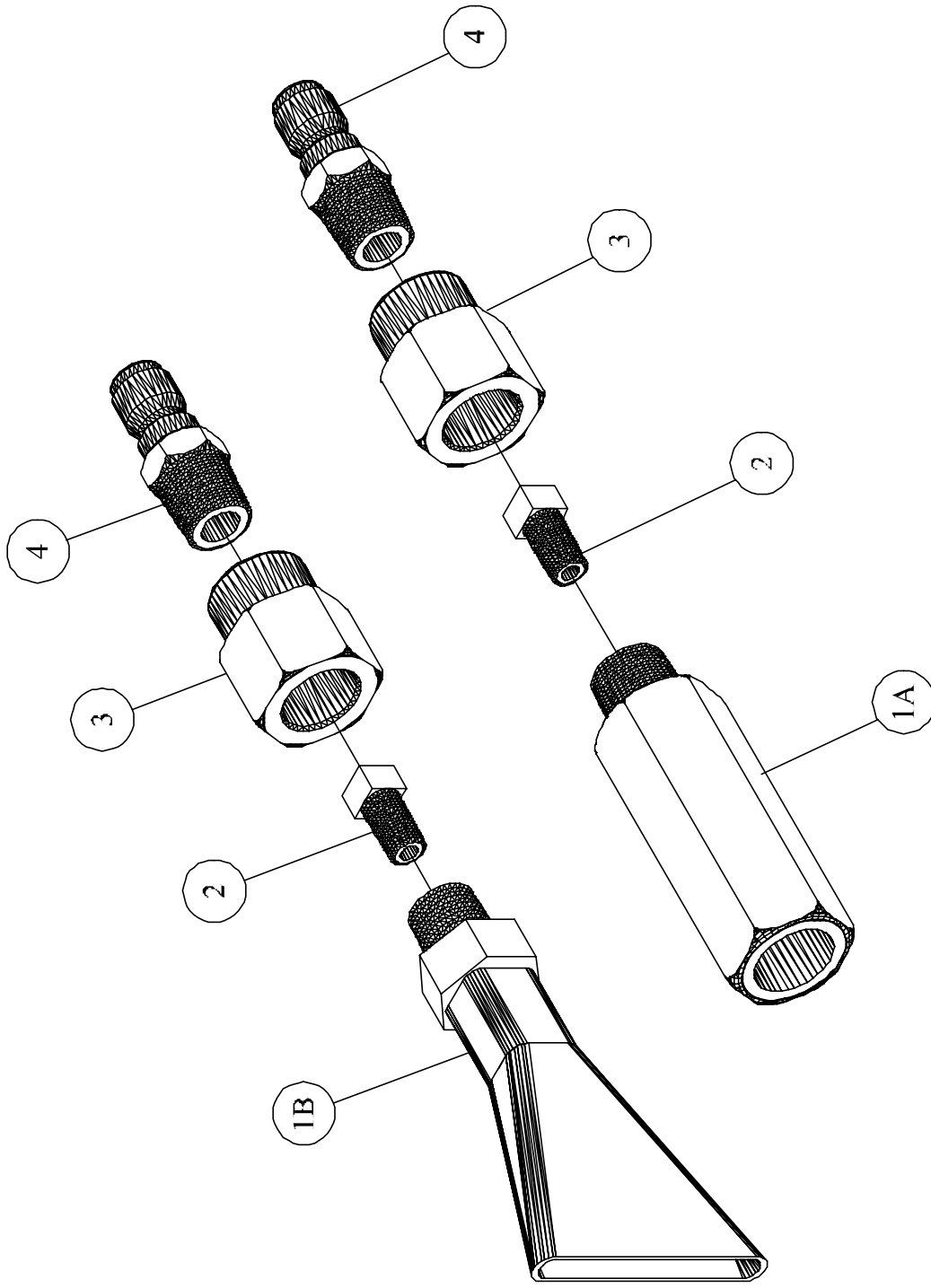
ITEM NO.	QTY.	DESCRIPTION	PART NO.
1	1	PLATE, COVER, PANEL, CONTROL, BOX, JUNC	JD8513
2	1	DECAL, PANEL, INSTRUCTION, SJ 120, OEP & GES	JD8432
3	1	SWITCH, ROCKER, SP, ST, 10A, 24V, LED, LIGHT	JE1004
4	1	SWITCH, ROCKER, DP, DT, OFF-ON-MOM, 10A, 24V 3PH	JE1006

FIGURE 1-6 (Panel, Instruction, SJ 120 GES, Assy)



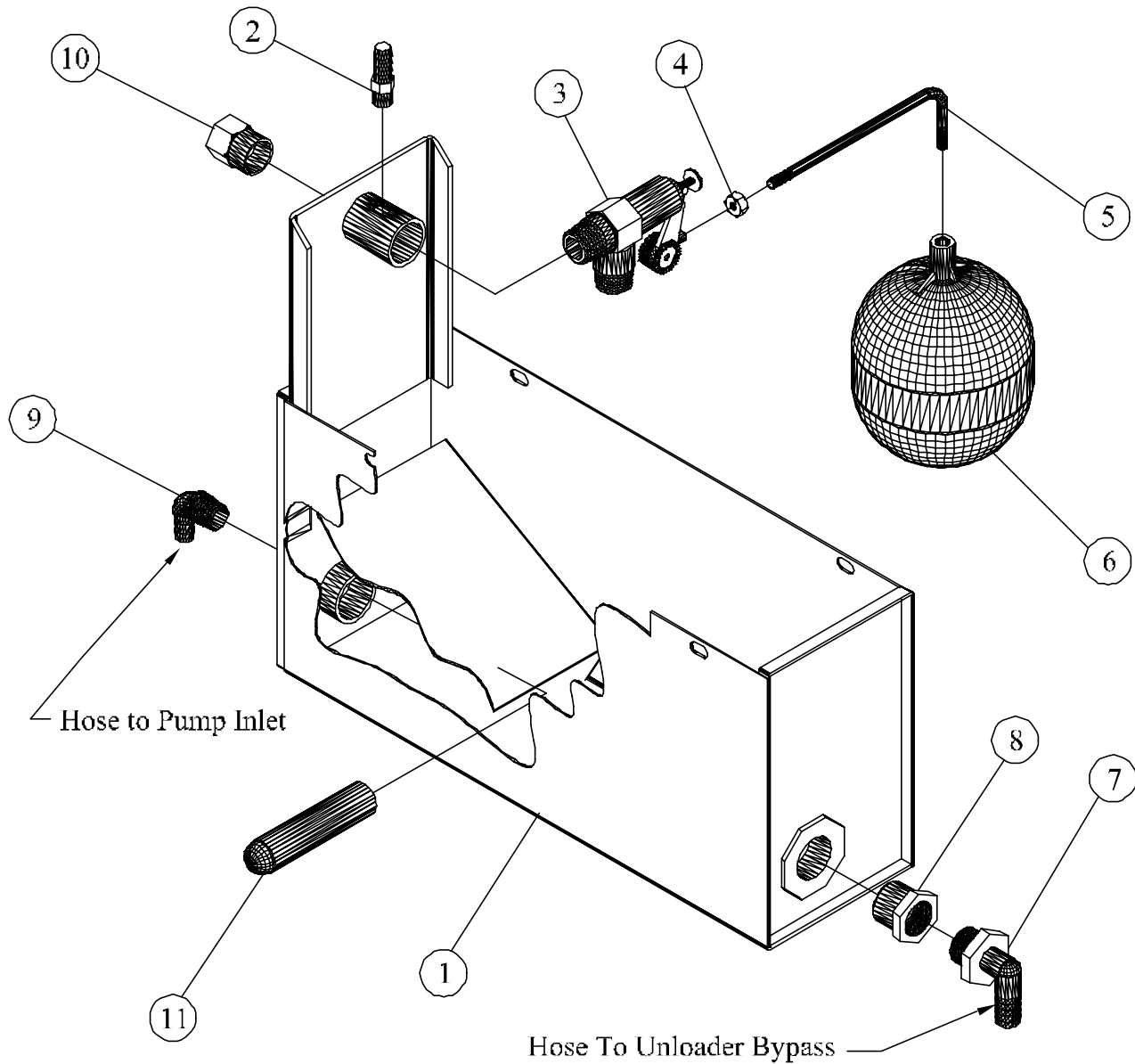
ITEM NO.	QTY.	DESCRIPTION	PART NO.
1	1	GUN, TRIGGER, 3000PSI, 8GPM, 320F	JD6068-B
2	2	ADAPTER, EXPANDING, STEEL, PLATED, 1/4M X 3/8F	JD6224
3	1	HANDLE, PERFORATED, SCH80, STEEL, ASSY, 3/8	JE 280-E
4	1	COUPLING, HEX, STEEL, PLATED, 3/8NPT X 3/8NPT	JD 907-04
5	1	NIPPLE, STEEL, SCH80, 3/8NPT X 28 LONG	JD 963
6	1	SOCKET, QUICK, COUPLING, BRASS, 1/4M X 3/8F	JD3102-02

FIGURE 1-7 (GUN, SCH80, N/C, W/O, SWIVEL, ASSY, 3/8", JP4261-H)



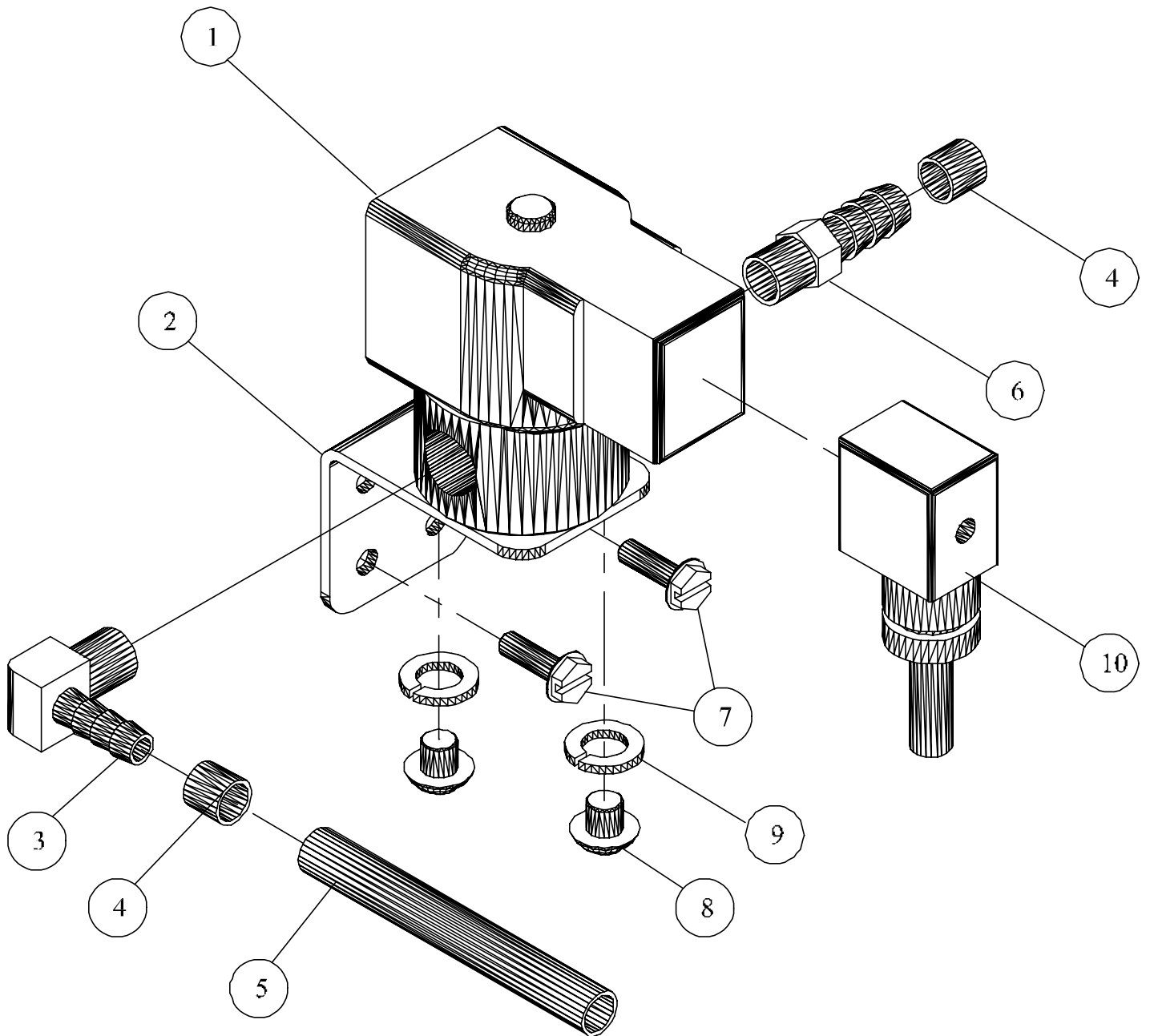
ITEM NO.	QTY.	DESCRIPTION	PART NO.
1A	1	NOZZLE, STEAM, 3/4 HEX, STEEL, PLATED, 3/8 X 3/8	JP3308-B
1B	1	NOZZLE, FAN, STEAM, 2" WIDE	JD 459
2	2	ORIFICE, STEAM, SS, #41	JP3175-07
3	2	COUPLING, HEX, BRASS, 3/8NPTF X 1/4 NPTF	JD 920-01
4	2	PLUG QUICK, COUPLING, BRASS, 1/4" NPTM	JD3103-04

FIGURE 1-8 (NOZZLE, STEAM & FAN, COMBINATION, FITTINGS, SJ 120, GES, ASSY)



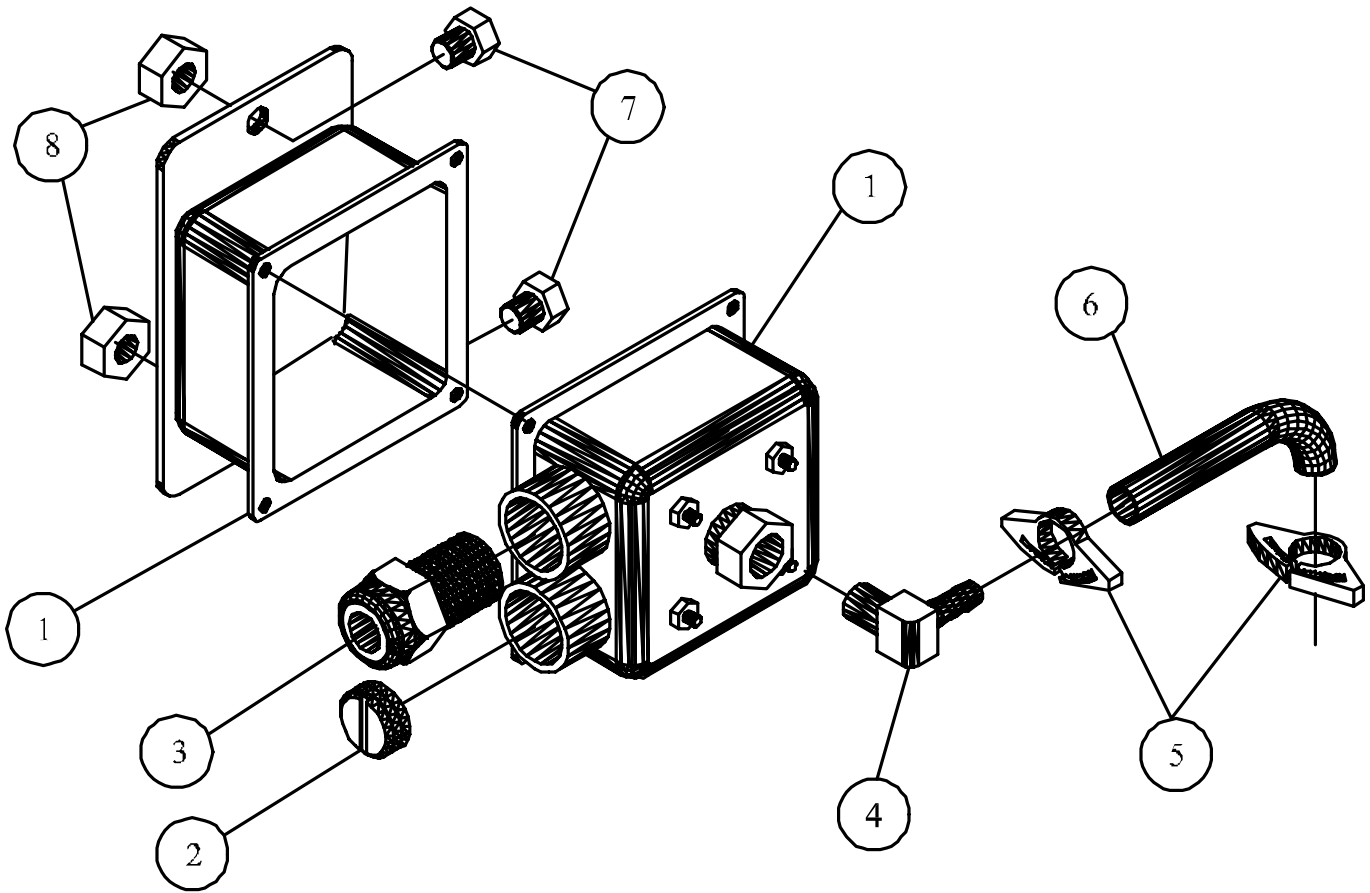
ITEM NO.	QTY.	DESCRIPTION	PART NO.
1	1	TANK, FLOAT, BOLT-ON, JB	JD8015
2	1	BARB,HOSE,MALE,BRASS,1/4HSX1/8NPT	JD6132
3	1	VALVE, FLOAT, BRASS, 60PSI, 1/2"NPTM	JD2988-B
4	1	NUT, HEX, STEEL, PLATED, 1/4-20	JD 791
5	1	ROD, FLOAT, BENT, BRASS, 1/4 X 5-5/8 LG X 1/4-20	JD1416-02
6	1	BALL, FLOAT, PLASTIC, BLACK	JD1416-01
7	1	BARB, HOSE, ELBOW, MALE, BRASS, 3/8HS X 3/8NPT	JD7149
8	1	BUSHING, REDUCER, HEX, BRASS, 3/4 X 3/8	JD3114
9	1	ELBOW, BARB, HOSE, MALE, PLASTIC, 1/2HS X 3/4 NP	JD7058
10	1	CONNECTOR, BR, 3/4 GARDEN HOSE X 1/2NPTM, SWIV	JD7142
11	1	STRAINER, WATER, SS, 30MESH, 47/64 OD X 3-1/8LG	JD3843-B

FIGURE 1-9 (Tank, Float, Fitting, JD8245-S, SJ 120 Assy)



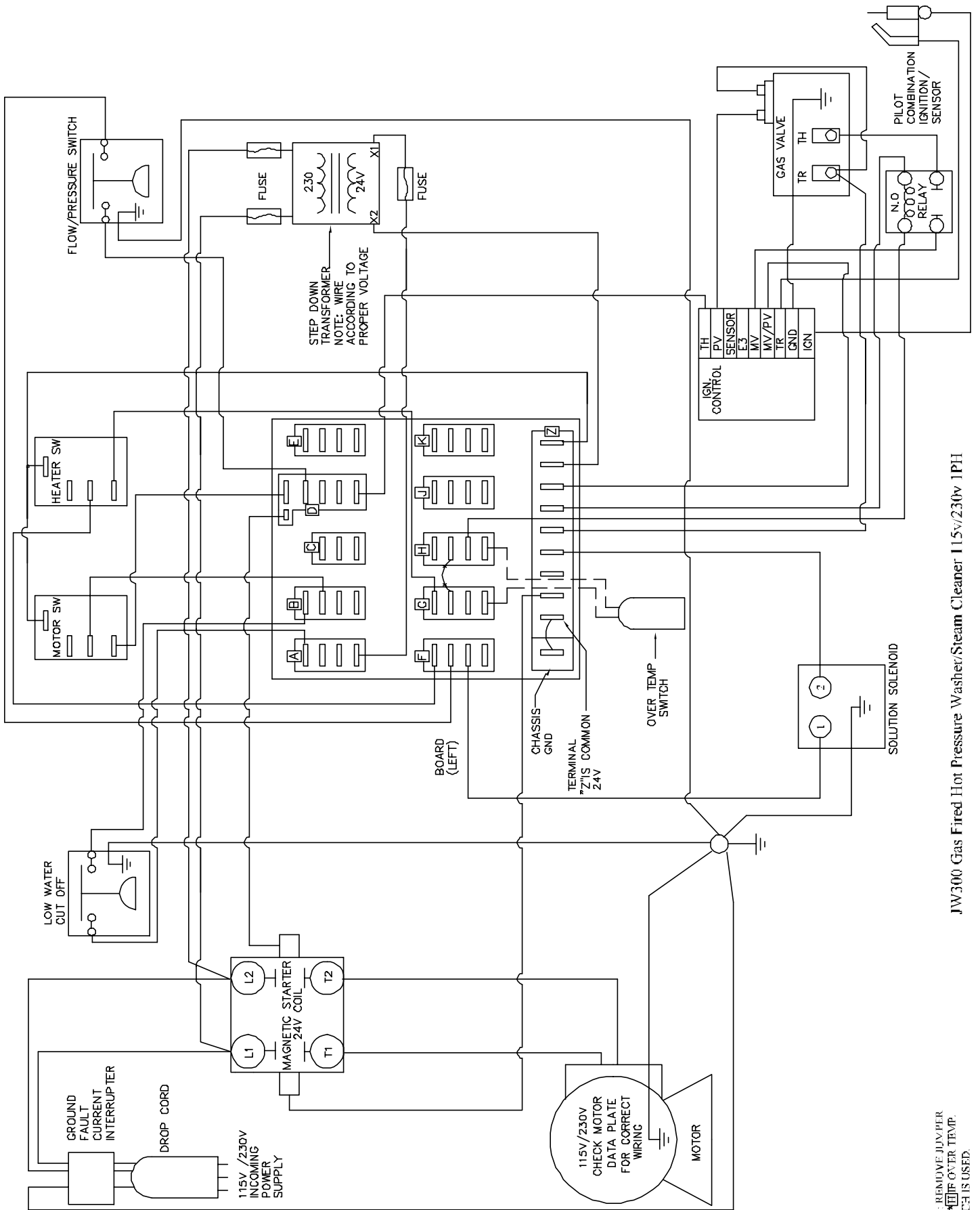
ITEM NO.	QTY.	DESCRIPTION	PART NO.
1	1	VALVE, SOLENOID, SOLUTION, 24V, 1/4NPT	JD2162-F
2	1	BRACKET, MOUNTING, SOLUTION, SOLENOID	JD7760
3	1	BARB, HOSE, ELBOW, MALE, BRASS, 1/4HS X 1/4 NPT	JD7078
4	2	CLAMP, SLEEVE, PLASTIC, 3/8 I.D.	JD2759
5	1	TUBING, PVC, CLEAR, 3/8 O.D. X 1/4 I.D.	JD3087
6	1	BARB HOSE 1/4 HS X 1/4 NPT	JD2765
7	2	SCREW, SLF, DRL, HEX WASHER, PLTD, #10 X 5/8	JD7074-A
8	2	SCREW, MACHINE, PHILLIPS, ST, PL, 10-32 X 3/8	JD3234
9	2	WASHER, LOCK, SPLIT, STEEL, PLATED, #10	JD624
10	1	CONNECTOR, SOLENOID, RELIEF, STRAIN, DIN	JD7703

FIGURE 20-1 (VALVE, SOLUTION, SOLENOID, JD2162-F, ASSY)



ITEM NO.	QTY.	DESCRIPTION	PART NO.
1	1	SWITCH, PRESSURE, W/BRACKET, WELDED ASSY	JP7731
2	1	PLUG, HOLE, BOX, JUNCTION, 1/2 NPS	JD7719
3	1	CONNECTOR, RELIEF, STRAIN, 1/4-3/8, 1/2NPM	JD1687-06
4	1	BARB, HOSE, ELBOW, MALE, BRASS, 1/4HS X 1/4NPT	JD7078
5	2	CLAMP, HOSE, NYLON, BLACK, .406/.468 DIA	JD-7859-A
6	1	TUBING, PVC, REINFORCED, 1/4ID	JD7850
7	2	SCREW, FLANGE, HEX, SERR,ST, PL, 1/4-20 X 1/2	JD7904-A
8	2	NUT, LOCK, FLANGE, HEX, SERR, ST, PL, 1/4-20	JD7774-D

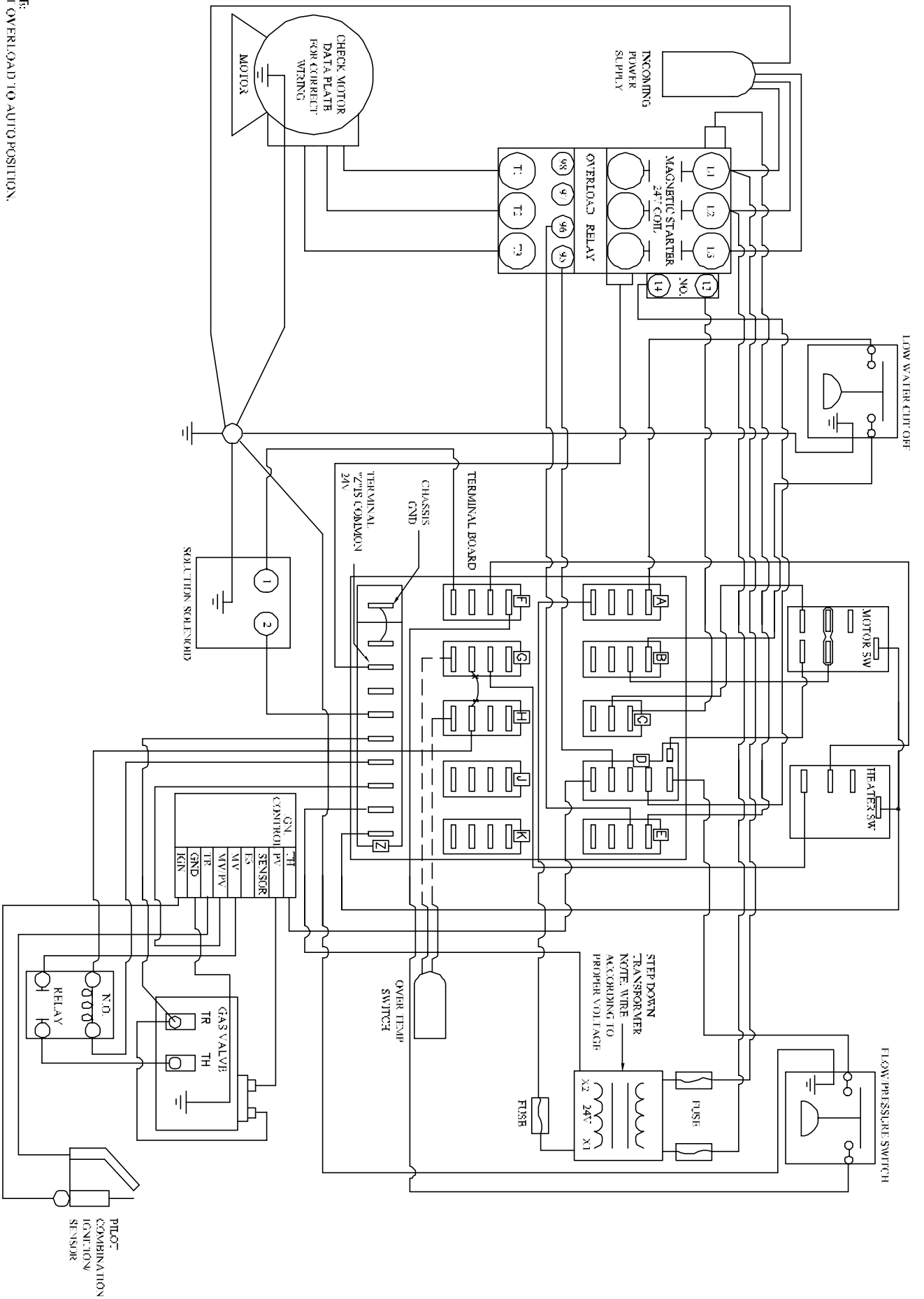
FIGURE 20-2 (SWITCH, PRESSURE, W/BRACKET, WELDED, JD7731, ASS'Y)



JW300 Gas Fired Hot Pressure Washer/Steam Cleaner 115v/230v 1PH

NOTE: REMOVE JUV/PER  
IF OVER TEMP.  
SWITCH IS USED.





NOTE:  
 RESET OVERLOAD TO AUTO POSITION.  
 REMOVE LAMP FROM OVERTEMP IS USED.

File Name: Jw 304 Gas, Fired, Hot Pressure Washer/Steam Cleaner, W/Mom. On, 3 Ph  
 (Electrical Schematic Diagram)