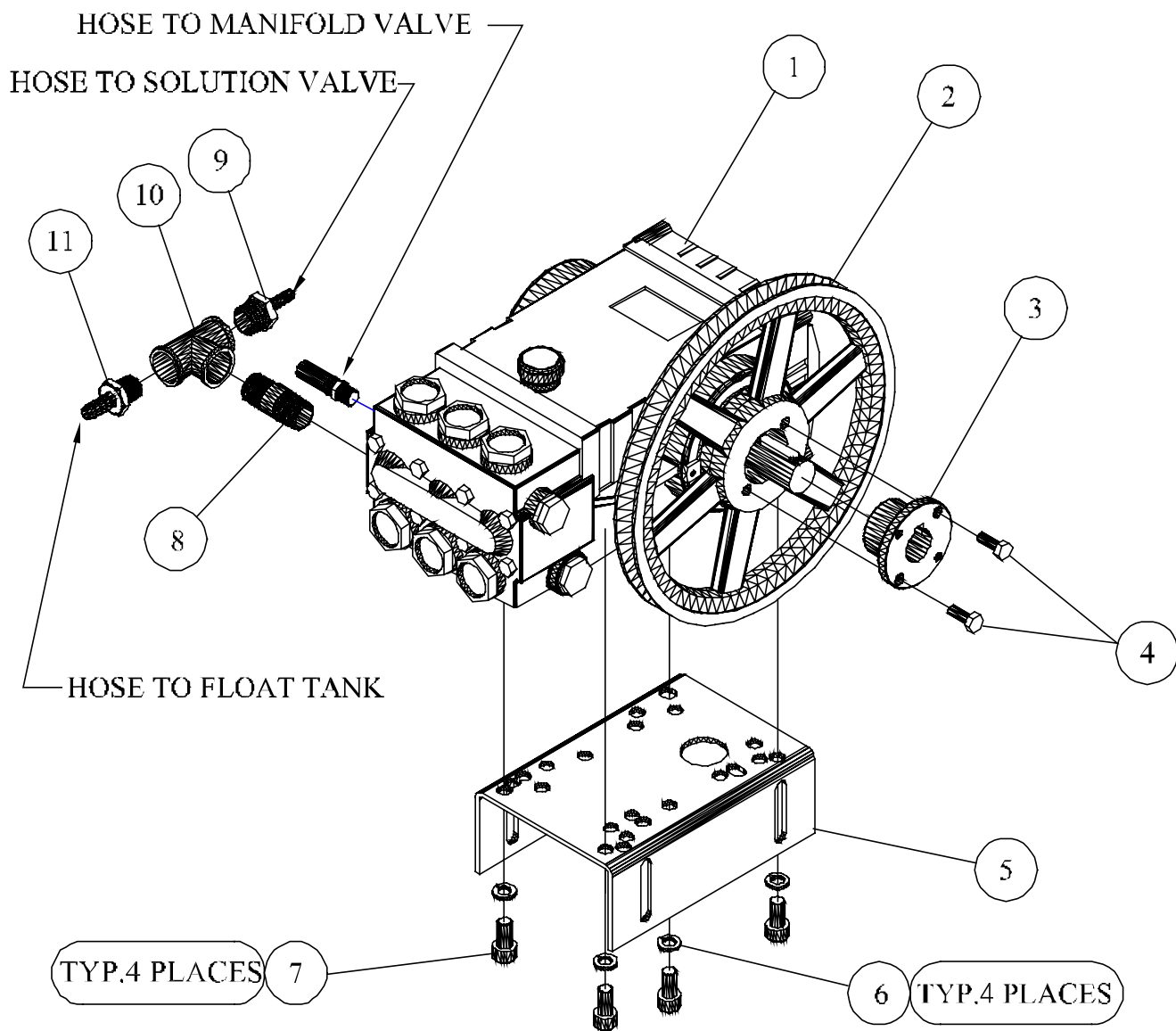


JENNY PRODUCTS INC.
 SJ 70, GES, 115-230/60/1, N/C., LWC, ELECT-IGN

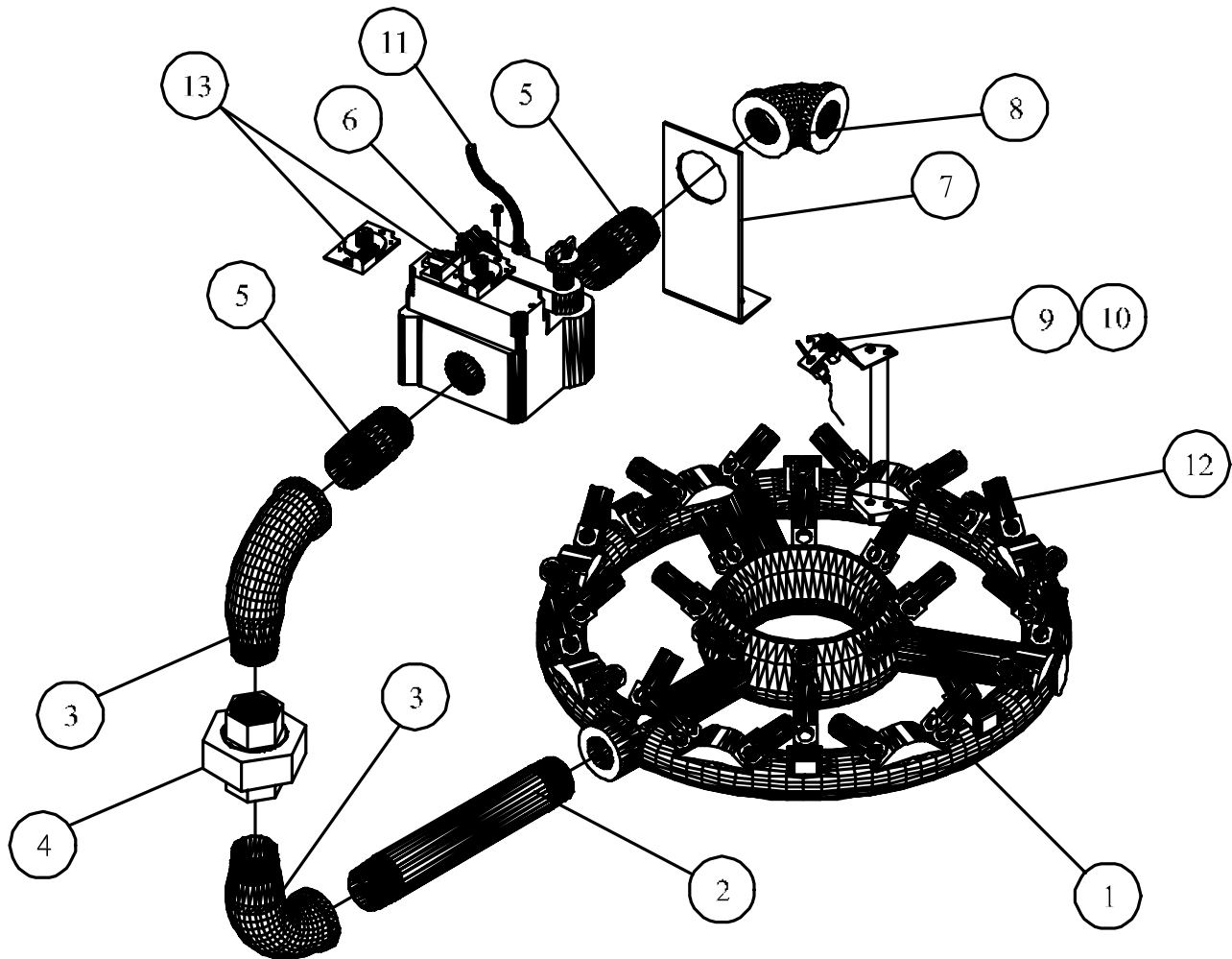
SJ 70, GES, N/C, LWC			
115-230/60/1			
PARTS LIST			
Notes: Figure 2U- (common Parts)			
Electrical Dia. File Jw 3UU			
ITEM NO.	DESCRIPTION	QTY.	PART NO.
1	CHASSIS, MODULE, MOTOR-PUMP, HPW, LES, GES	1	JD8500
2	CHASSIS, MODULE, COIL, STL, PAINTED, SIZE-A	1	JD8501
3	CASING, COIL, STEEL, PAINTED, GES, SIZE-A	1	JD8504
4	LEGS, STATIONARY, STEEL, PAINTED, GES	4	JD8507
5	HOSE, COMBINATION, JENNY, 3/8 X 50'	1	JD7624
6 ASSY SEE FIG 1-7	NOZZLE, STEAM & FAN, FITTINGS, SP 70	1	
7	PANEL, SUPPORT, COVER, REAR, STEEL, PNTD, GES	1	JD8510
8	PANEL, SIDE, MODULE, CHASSIS, MTR-PMP, ST, GES	1	JD8515
9 ASSY SEE FIG 1-8	GUN, COMBINATION, NOZZLE, STEAM, FITTING	1	JP4261-H
10 ASSY	COVER, SS, ASSY, NEW, GES	1	JD8523
11	COVER, MACHINE, SS, GES	1	JD8516
12	MOLDING, RUBBER, FOAM, ADHESIVE, 1/2WX1/8T	1	JD3782-B
13	SCREW, PHILLIPS, HEAD, "N", COVER	10	JP7733
14	RETAINER, SCREW, PHILLIPS, HEAD, "N"	10	JP7733-02
15	PLATE, NAME, ALUM, PRINT, BLACK, 4X4	1	JD3456
16	INSULATION, CERAMIC, 1X26-1/2X44	1	JD2498
17	MOTOR, 1HP, 115-230/60/1, 1725RPM, TEFC, F2	1	JB3003
18 ASSY SEE FIG 1-3	TANK, FLOAT, ASSY, W/FITTINGS, SJ 70, OEP	1	JD8245-B
19	BAFFLE, TANK, FLOAT, REMOVABLE		JP3385-08
20	ADAPTER, EXPANDING, BRASS, 1/2MX1/2F		JD6224-04
21	NIPPLE, BRASS, 1/2 NPT X 3LONG	1	JD3094-02
22	ELBOW, FEMALE, BRASS, FORGE, 1/2NPT	1	JD 692-02
23	CONNECTOR, BRZ, 3/4 GARDENHOSE X 1/2NPTM, SWIV	1	JD7142
24	WASHER, STRAINER, MESH, WIRE, BRASS, #30	2	JD 809
25	PULLEY, CI, SG, TH, BK47H, 3.7PDA, 4.1PDB	1	JD3904-42
26	BUSHING, PULLEY, TAPERED, 5/8 BORE	1	JD3915-01
27	CONNECTOR, RELIEF, STRAIN, 1/4-3/8, 1/2NPTM	1	JD1687-06
28	WIRE, SJO, CPE, BLACK, 14/3	2	JE 433
29	CONNECTOR, SPLICE, BUTT, INSULATED, 12-18GA	3	JD3952-A
30	ELBOW, FEMALE, STEEL, PLATED, 3/8NPT	2	JD 691
31	CLAMP, HOSE, NYLON, BLACK, .406/.468 DIA.	2	JD7859-A
32 ASSY SEE FIG 20-2	SWITCH, PRESSURE, W/BRACKET, WELDED	1	JP7731
33 ASSY SEE FIG 1-4	MANIFOLD, FITTINGS, VALVE, ASSY, SJ70, GES	1	JD8220
34	BELT, VEE, COG, AX46	1	JP2828
35 ASSY SEE FIG 20-1	VALVE, SOLENOID, SOLUTION, 24V, 1/4NPT	1	JD2162-F
36	CLAMP, SLEEVE, PLASTIC, 3/8 I.D.	4	JD2759
37	TUBING, PVC, REINFORCED, 3/8 I.D.	1	JD7575
38	SCREEN, COVER, MACHINE, ST, PAINTED	2	JP7720-01
39	RIVET, AL, .160-.164 HOLE, .063-.125GRP, 5/32	16	JP7702-02
40	WASHER, FLAT, SS, 7/8 OD X 5/32 ID X 20 GAUGE	16	JP7720-03
41 ASSY SEE FIG 1-1	PUMP, MOUNTING&FITTINGS, ASSY, 70GPH	1	JD8306
42-A ASSY SEE FIG 1-2	BURNER & MANIFOLD, ASSY, GES, 1223, ELECT-IGN	1	JP4900
42-B ASSY SEE FIG 1-2	BURNER & MANIFOLD, ASSY, LES, 1223, ELECT-IGN		JP4900-A
43-A	CORD, DROP, GFCI, 120V, 15A, 40FT	1	JD7179-A

43-B	CORD, DROP, GFCI, 240V, 15A, 40FT	1	JD7179-D
44 ASSY SEE FIG 1-5	BOX, JCT, PANEL, FRONT, 115-230/1PH, 30A, GAS	1	JE2003
45 ASSY SEE FIG 1-6	PLATE, COVER, PANEL, CONT, BOX, JCT, GES	1	JD8513
46	HOSE, HYD, 3K PSI, 40" LONG, 3/8NPTM, 3/8NPTM	1	JD7876
47	SCREW, CARRIAGE, GR5, ST, PL, 3/8X6	2	JD7798
48	SCREW, CAP, HEX HD, ST, PL, 3/8-16X1-1/4"	1	JD 514
49	WASHER, LOCK, SPLIT, STEEL, PLATED, 3/8"	1	JD 613
50	HOSE, HYD, 3K PSI, 31"L, 3/8NPTM, 90D-3/8NPTM	1	JD7893
51	NIPPLE, STEEL, SCH80, 3/8NPTX13LONG	1	JD 729
52	COIL, GAS, FIRED, 3/8"PIPE, SCH40	1	JP7004
53	PLUG, FUSIBLE, ASSY, 340 DEGREE F	1	JP3921-C
54	TEE, FEMALE, STEEL, PLATED, 3/8NPT	1	JD3971
55	TAG, WARNING, WATER TRAP, GAS FIRED UNIT	1	JD7207
56	TAG, WARNING, GAS PRESSURE	1	JD3097
57	BRACKET, OUTLET, COIL, GES	1	JP5413-06
58	RING, CASING, COIL, SS, 7-15/16 I.D.	1	JD2140-B
59	LUG, TERMINAL, COPPER, 3/16BOLT, 6-14GAUGE	1	JD6152
60	SCREW, SLF DRL, HEX WASHER, PLTD, #10x5/8	9	JD7074-A
61	GROMMET, RUBBER, BLACK, 5/8" I.D.	2	JD3385
62	GROMMET, RUBBER, BLACK, 7/16" DIAMETER	6	JD3385-01
63	RECEPTICAL, CLIP-ON, STEEL, DACROTIZED	10	JP7733-01
64	GROMMET, RUBBER, BLACK, 1-1/2" I.D.	3	JP 675
65	CLAMP, GEAR, WORM, SS, 7/32 TO 5/8 DIAMETER	2	JD3068
66	STRAINER, CHEMICAL, BRASS, 1/4" HOSE, BARB	1	JD7140-A
67	TUBING, PVC, CLEAR, 3/8, O.D.X1/4ID	7.1	JD3087
68	SCREW, FLANGE, HEX, ALL, ST, PLTD 1/4-20X1/2	24	JD7904-A
69	SCREW, SLF TAP, PHILLIPS, ST, PL, 8-32X3/8	12	JD3043
70	SCREW, FLANGE, HEX, SERR, ST, PL, 5/16-18X1/2	2	JD7905
71	SCREW, FLANGE, HEX, SERR, ST, PL, 3/8-16X3/4	39	JD7906-A
72	NUT, LOCK, FLANGE, HEX, SERR, ST, PL, 3/8-16	10	JD7774-F
73	SCREW, CAP, HEX HD, ST, PL, FLT, 3/8-16X2-1/4"	2	JD7035
74	NUT, LOCK, FLANGE, HEX, SERR, ST, PL, 1/4-20	4	JD7774-D
75	CLAMP, HOSE, NYLON, BLACK, .593/.656 DIA	2	JD7859-D
76	SCREW, SLF DRL, PHILLIP, ST, PLTD, #8X1/2	4	JD6050
77	DECAL, NUMBER, MODEL, SJ 70, BLUE, LARGE	1	JD8480
78	SCREW, FLANGE, HEX, SERR, ST, PL, 5/16-18X5/8	4	JD7905-A
79	NUT, LOCK, FLANGE, HEX, SERR, ST, PL, 5/16-18	4	JD7774-E
NOT SHOWN	TERMINAL, TONGUE, RING, 3/16 HOLE, 18-22 GAUGE	1	JD 928
NOT SHOWN	TERMINAL, TONGUE, FORK, #6 HOLE, 14-18 GA WIRE	2	JD2347
NOT SHOWN	WIRE, SJO, CPE, BLACK, 18/3	5	JE 436
NOT SHOWN	TERMINAL, CONNECT, QUICK, FEM, 0.250, 14/16GA	10	JD1576-01
NOT SHOWN	TERMINAL, CONNECT, QUICK, PIGGY, FEM, 14-16GA	2	JD1576-06
NOT SHOWN	DIVERTER, DRAFT, VERTICAL, 8"	1	JD3167
NOT SHOWN	DECAL, DANGER, WARNING, CAUTION, LARGE	1	JD7239
NOT SHOWN	DECAL, NOTICE, GROUND, 4MIL THK, 5YR WHITE	1	JD2344-01
NOT SHOWN	DECAL, PACKED, GROOMED, TESTED	1	JD6013
NOT SHOWN	DECAL, MADE-IN-THE-USA, JENNY	1	JD6211
NOT SHOWN	DECAL, CAUTION, FUSIBLE, PLUG, 12X3-1/2-LEXAN	1	JD2858



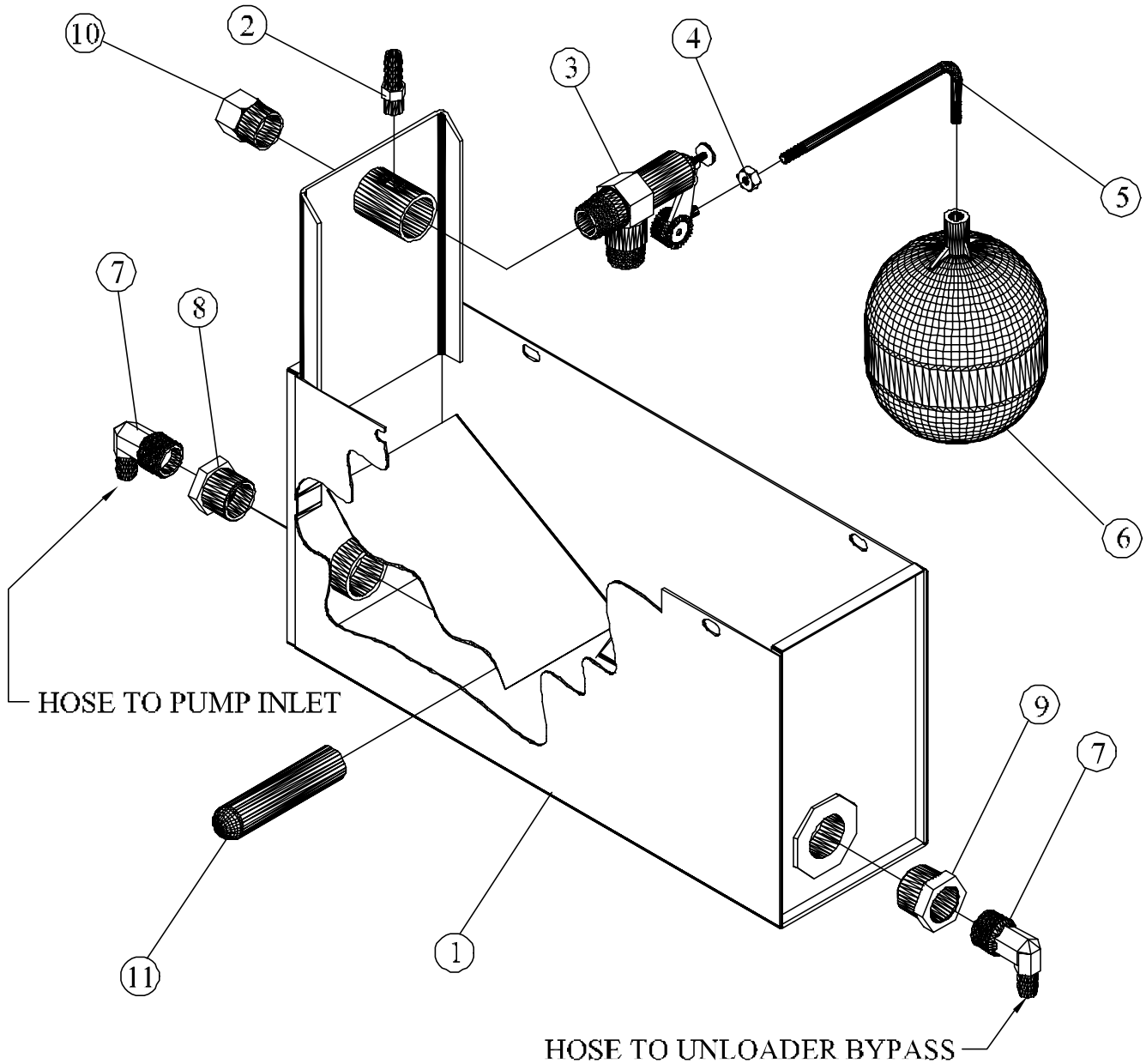
ITEM NO.	QTY.	DESCRIPTION	PART NO.
1	1	PUMP, PLUNGER, TRIPLEX, 1800PSI, 2.11GPM, AR	JD7956
2	1	PULLEY, CI, SG, TH, AK94H, 9.0PDA, 8.66PD3L	JD3904-67
3	1	BUSHING, PULLEY, TAPERED, 24MM BORE	JD3915
4	1	H.H.B. 1/4-20 UNC-3/4 CLASS 5 RECEIVED W/BUSHING	
5	2	PLATE, MOUNTING, PUMP, STEEL, PAINTED,	JD8016
6	1	WASHER, LOCK, SPLIT, STEEL, PLATED, 5/16	JD 612
7	4	SCREW, CAP, HEX, HD, ST, PLTD, M8-1.25X16MM	JD7258
8	4	NIPPLE, BRASS, 1/2NPT X 1-1/2LONG	JD3094-01
9	1	BARB, HOSE, MALE, BRASS, 1/4HSX1/2NPTM	JD7826
10	1	TEE, FEMALE, BRASS, 1/2NPT	JD3023
11	1	BARB, HOSE, MALE, BRASS, 3/8HS X 1/2NPTM	JD7708-01

FIGURE 1-1 (Pump, Mounting, Fitting, JD8306, SJ 70, GES Ass'y)



ITEM NO.	QTY.	DESCRIPTION	PART NO.
1-A	1	BURNER, NAT, #640JETS, 0#53,X-10, W/Q314B1019	JD2359
1-B	1	BURNER, LP, #640 JETS, 0#62, X-10 W/Q314B1019	JD2359-A
2	1	NIPPLE, STEEL, SCH40, 3/4NPT X 6LONG	JD1021
3	2	ELBOW, STREET, MI,150#3/4NPT	JD1016
4	1	UNION, FEMALE, MI, 150#.BRASS-IR SEAT,3/4NPT	JP 742
5	2	NIPPLE, STEEL, SCH40, 3/4NPT X 2LONG	JD1303
6	1	VALVE, COMBINATION, NAT, 24V, 3/4, ELECT-IGN	JP7708-A
7	1	BRACKET, MANIFOLD, INLET, 1223, GES	JD8527
8	1	ELBOW, FEMALE, MI, 150# 3/4 NPT	JD 955
9-A	1	PILOT, BURNER, NAT, Q314B1019	JD2359-01
9-B	1	PILOT, BURNER, LP, Q314B1019-LP	JD2359-02
10	1	SENSOR, IGNITOR, W/MT-BRKT & HARDWARE, 60' LD	JP7694-D
11	1	TUBING, ALUMINUM, 1/4 O.D. X .032 WALL	JD1820
12-A	1	JET, BURNER, GAS, NAT.. BRASS, #53, .064	JD3027
12-B	1	JET, BURNER, GAS, LP, BRASS, #62, .038	JD3029
13-A	1	REGULATOR, CONVERSION, P TO NAT, ROBERTSHW	JD2366-C
13-B	1	REGULATOR, CONVERSION, NAT-TO-LP, ROBERTSHW	JD2366-04

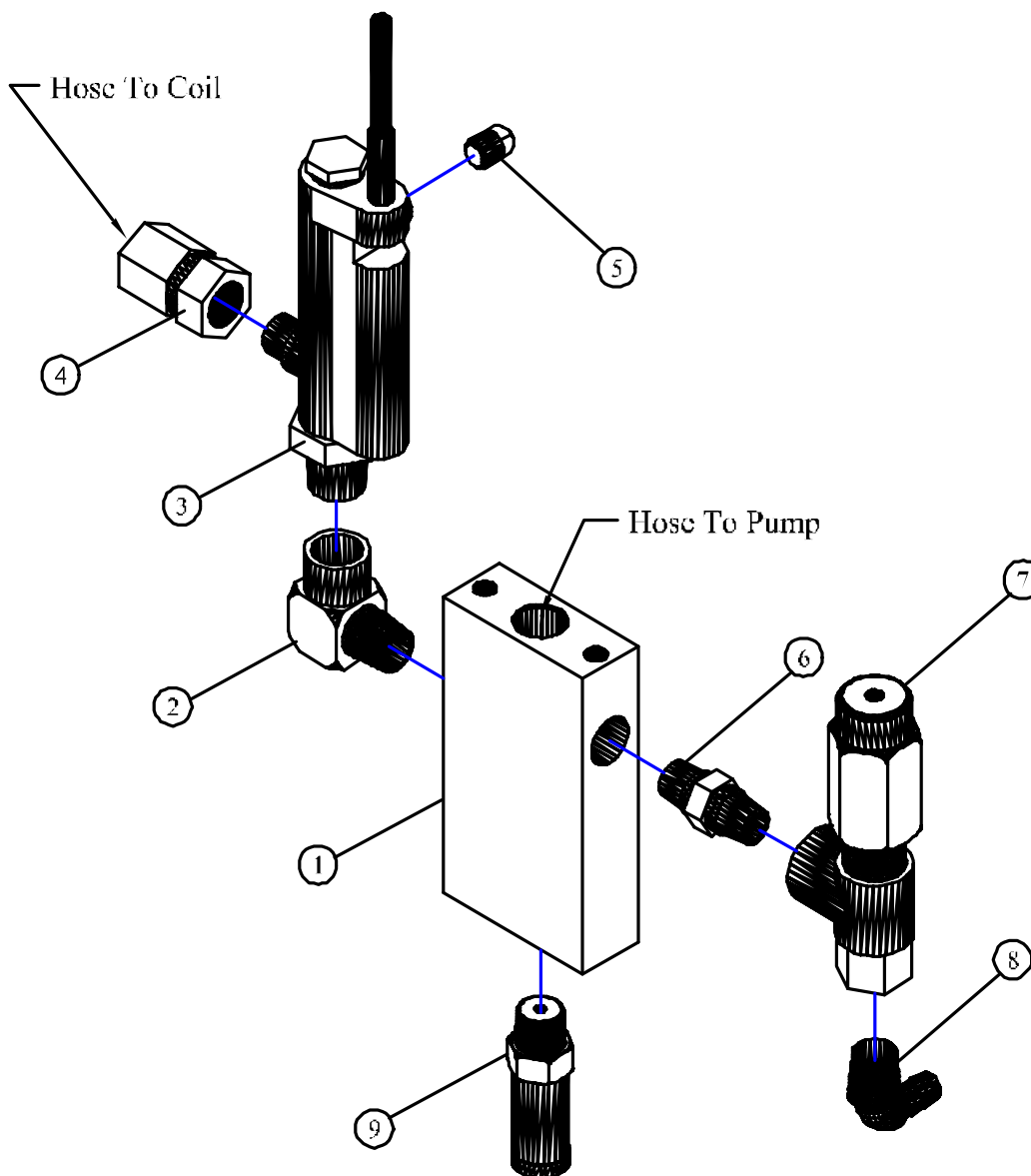
FIGURE 1-2 (Burner, Gas, Natural & LP, Fitting, SJ 70 GES Ass'y)



ITEM NO.	QTY.	DESCRIPTION	PART NO.
1	1	TANK, FLOAT, BOLT-ON, JB	JD8015
2	1	BARB,HOSE,MALE,BRASS,1/4HSX1/8NPT	JD6132
3	1	VALVE, FLOAT, BRASS, 60PSI, 1/2"NPTM	JD2988-B
4	1	NUT, HEX, STEEL, PLATED, 1/4-20	JD 791
5	1	ROD, FLOAT, BENT, BRASS, 1/4 X 5-5/8 LG X 1/4-20	JD1416-02
6	1	BALL, FLOAT, PLASTIC, BLACK	JD1416-01
7	2	BARB, HOSE, ELBOW, MALE, BRASS, 3/8HS X 1/2NPT	JD7150-01
8	1	BUSHING, REDUCER, HEX, BRASS, 3/4 X 1/2 STRAINER	JP6594
9	1	BUSHING,REDUCER,HEX,BRASS,3/4X1/2	JD3096
10	1	CONNECTOR, BR, 3/4GARDEN HOSEX1/2NPTM, SWIV	JD7142
11	1	STRAINER, WATER, SS, 30MESH, 25/31 OD X 3-1/8LG	JD3843

FIGURE 1-3 (Tank, Float, Fitting, JD8245-D, SJ 70 GES, Ass'y)

TO ADJUST UNLOADER, START THE UNIT, USING NO HEAT, SHUT THE TRIGGER GUN OFF AND TURN THE UNLOADER ADJUSTMENT KNOB TO REACH A MAX PRESSURE OF 350 PSI THE UNLOADER IS SET.



ITEM NO.	QTY.	DESCRIPTION	PART NO.
1	1	MANIFOLD, FITTINGS, STEEL, PLATED, ALL, UNITS	JP7716
2	1	ELBOW, STREET, STEEL, PLATED 3/8 NPT	JD3717-03
3	1	SWITCH, FLOW, SP. ST, NO, 20VA, 3/8 NPTM	JD7279
	1	SWITCH,REPLACEMENT,REED,ASSY,47"LEAD	JD7279-01
4	1	ADAPTER, SWIVEL, FEMALE, STEEL, PLATED, 3/8 X 3/8	JD3719-01
5	1	PLUG, HEAD, SQUARE, BRASS, 1/4 NPT	JD 679-02
6	1	NIPPLE, HEX, STEEL, PLATED, 3 8NPT X 3/8 NPT	JD3716-01
7	1	VALVE, UNLOADER, PSI ACT, REG, 2415PSI, 6.3 GPM	JD3324-Q
8	1	BARB, HOSE, ELBOW, MALE, BRASS, 3/8HS NPT	JD7149
9	1	VALVE, RELIEF, 0-1200 PSI, 160F, 3/8NPTM	JD7048-D

FIGURE 1-4 (Manifold, Fitting, Valve, JD8220, SJ 70 GES, Ass'y)

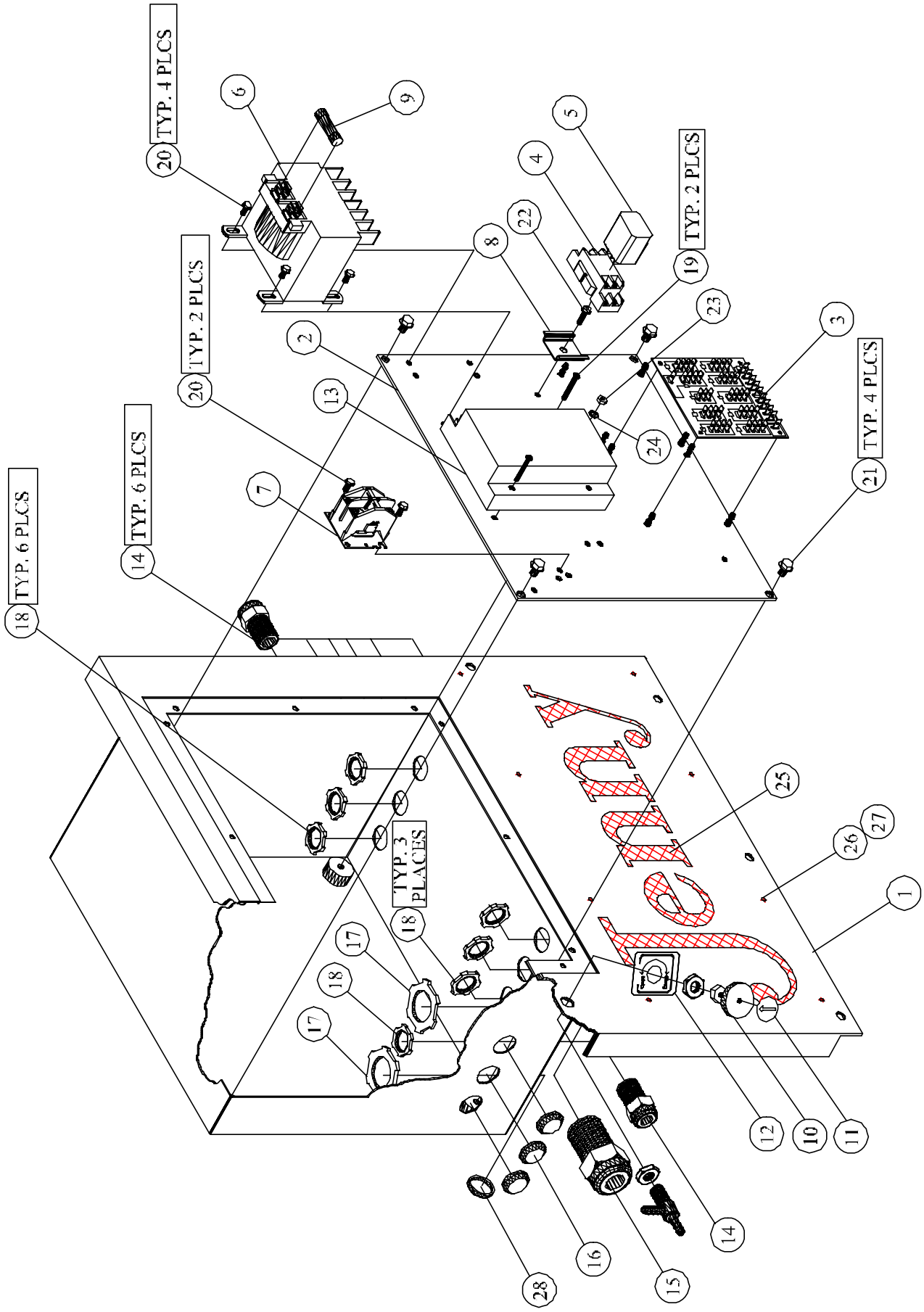
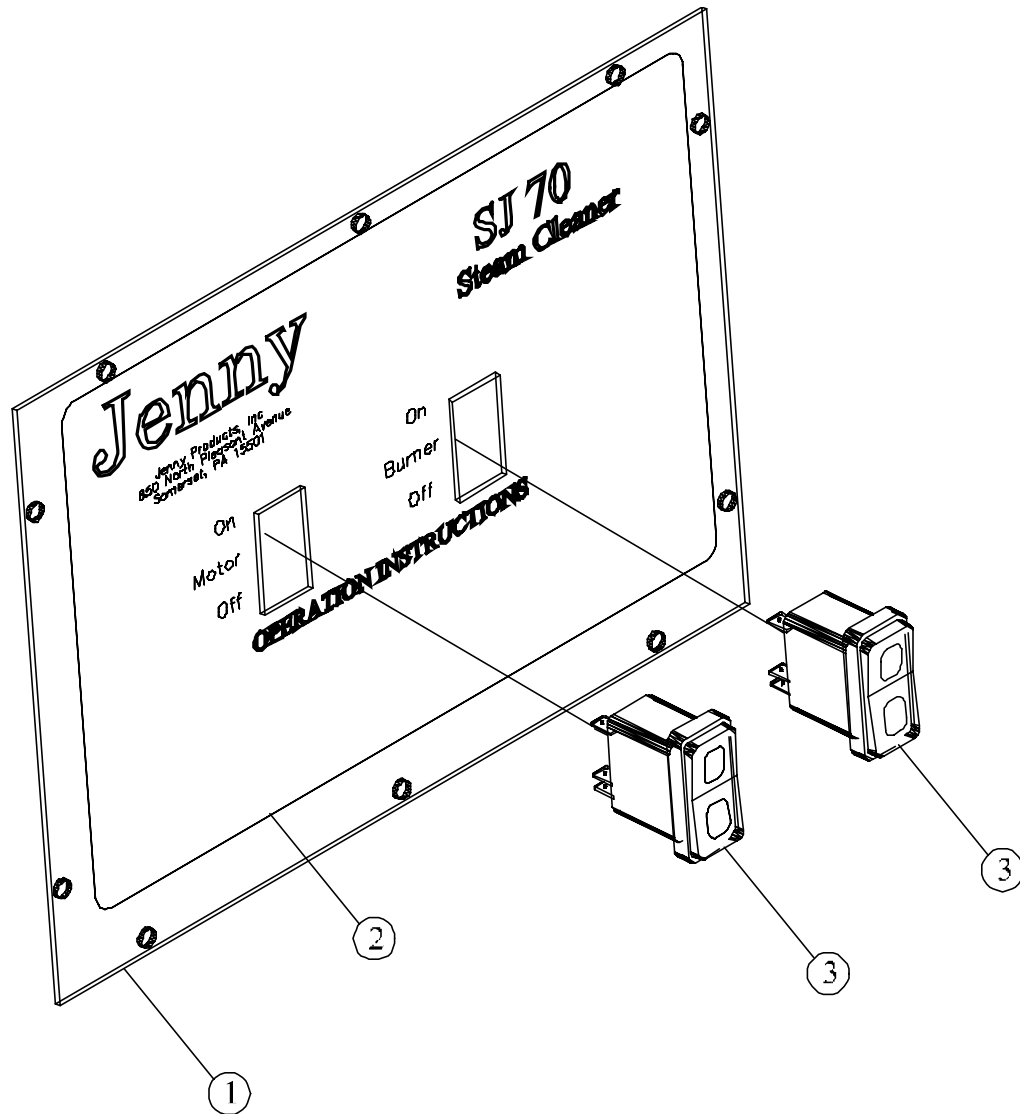


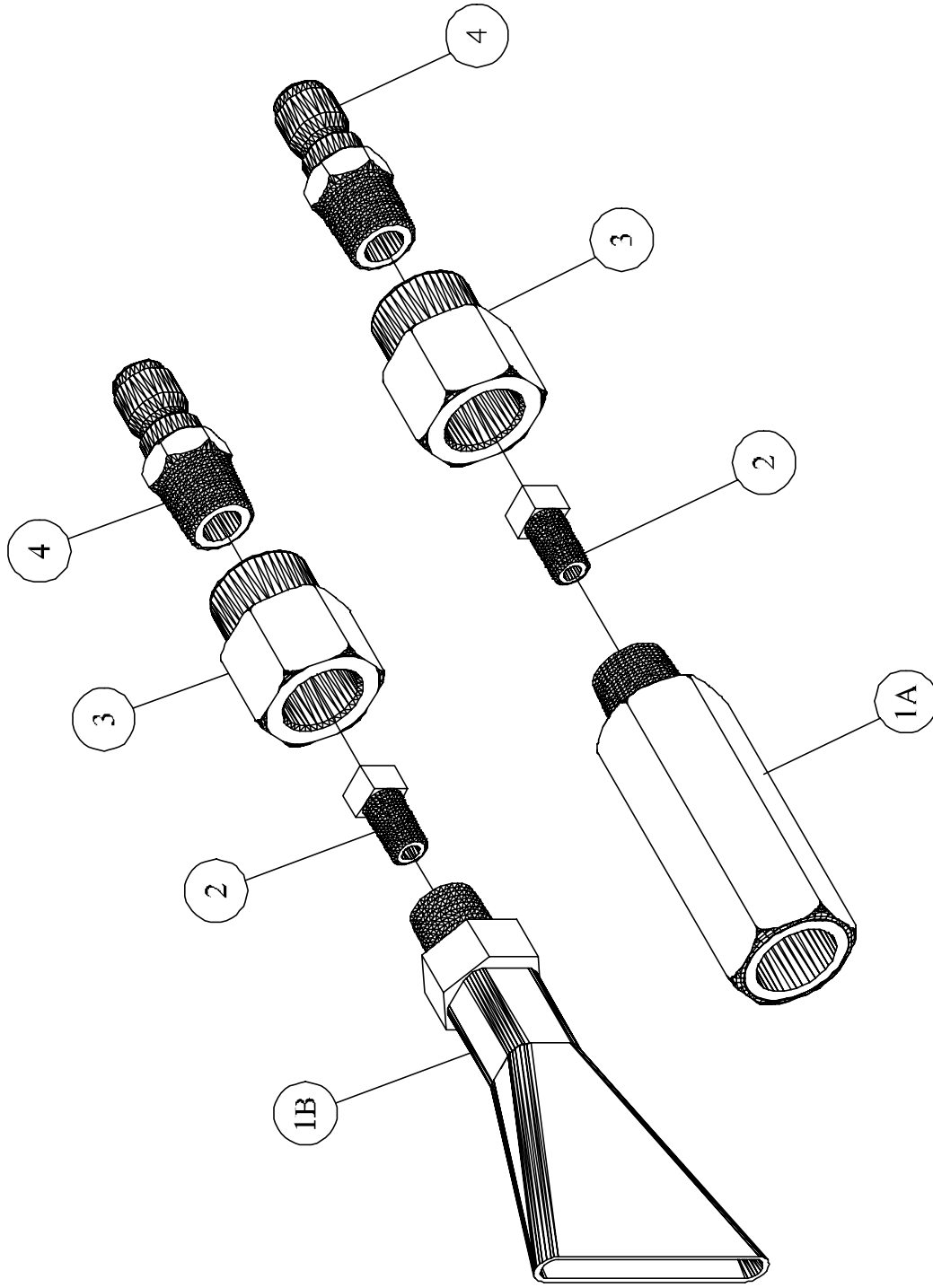
FIGURE 1-5 (SJ 70, GES, Box, Junction, Panel, Front, 208-230/60/1PH, 30A, JE2003)

ITEM NO.	DESCRIPTION	QTY.	PART NO.
1	PANEL, CONTROL, BOX, JUNCTION, STL, PNTD, GES	1	JD8511
2	PLATE, MOUNTING, PANEL, CONT, BOX, JCT, ST, GES	1	JD8512
3	BOARD, CIRCUIT, PRINTED, ALL MACHINES	1	JB5000
4	BASE, RELAY, DP	1	JD7819-A
5	RELAY, DP, DT, 24VAC	1	JD7819
6	TRNSFRMR, CTRL, OPN, 100VA, 120-460VP, 24VS	1	JD2868
7	CONTACTOR, DP, OP, 2P, 30A, 24V	1	JP3530-D
8	RAIL, DIN, STL, PLTD, TAIL, DOVE, 1 3/8X5/16	0.16	JD7768-A
9	FUSE, ELEMENT, DUAL, DELAY, TIME, 250V, 6AMP	1	JD3107-11
10	VALVE, NEEDLE, SOLUTION, BRASS, 1/4IDHS-BARB	1	JD6248-A
11	DECAL, INDICATOR, HANDLE, VALVE	1	JD7143
12	DECAL, SOLUTION, METERING, VALVE	1	JD7821
13	CONTROL, IGNITION, UNIT, LOCKOUT, SP745	1	JP7694-A
14	CONNECTOR, RELIEF, STRAIN, 1/4-3/8, 1/2 NPTM	6	JD1687-06
15	CONNECTOR, RELIEF, STRAIN, .5/8-3/4, 3/4NPTM	2	JD1687-17
16	PLUG, HOLE, PLASTIC, BLACK, 7/8"	3	JD3856
17	NUT, LOCK, CONDUIT, STEEL, PLATED, 3/4"	2	JD7728
18	NUT, LOCK, CONDUIT, STEEL, PLATED, 1/2"	6	JP 809
19	SCREW, MACHINE, PHILLIP	2	JD838
20	SCREW, FLANGE, HEX, SERR, ST, PL, 8-32x3/8	6	JD7901-B
21	SCREW, FLANGE, HEX, SERR, ST, PL, 1/4-20X1/2	4	JD7904-A
22	SCREW, SLF DRL, HEX WASHER, PLTD, #10x5/8	1	JD7074-A
23	NUT, HEX, STEEL, PLATED, 10-32	1	JD 781
24	WASHER, LOCK, SPLIT, STEEL, PLATED, #10	1	JD 624
25	SCREEN, COVER, MACHINE, ST, PAINTED	1	JP7720-01
26	RIVET, AL, .160-.164 HOLE, .063-.125 GRP, 5/32	8	JP7720-02
27	WASHER, FLAT, SS, 3/4 O.D.X 5/32 I.D. X 20 GAUGE	8	JP7720-03
28	PLUG, HOLE, PLASTIC, BLACK, 1.093"	1	JD3856-05



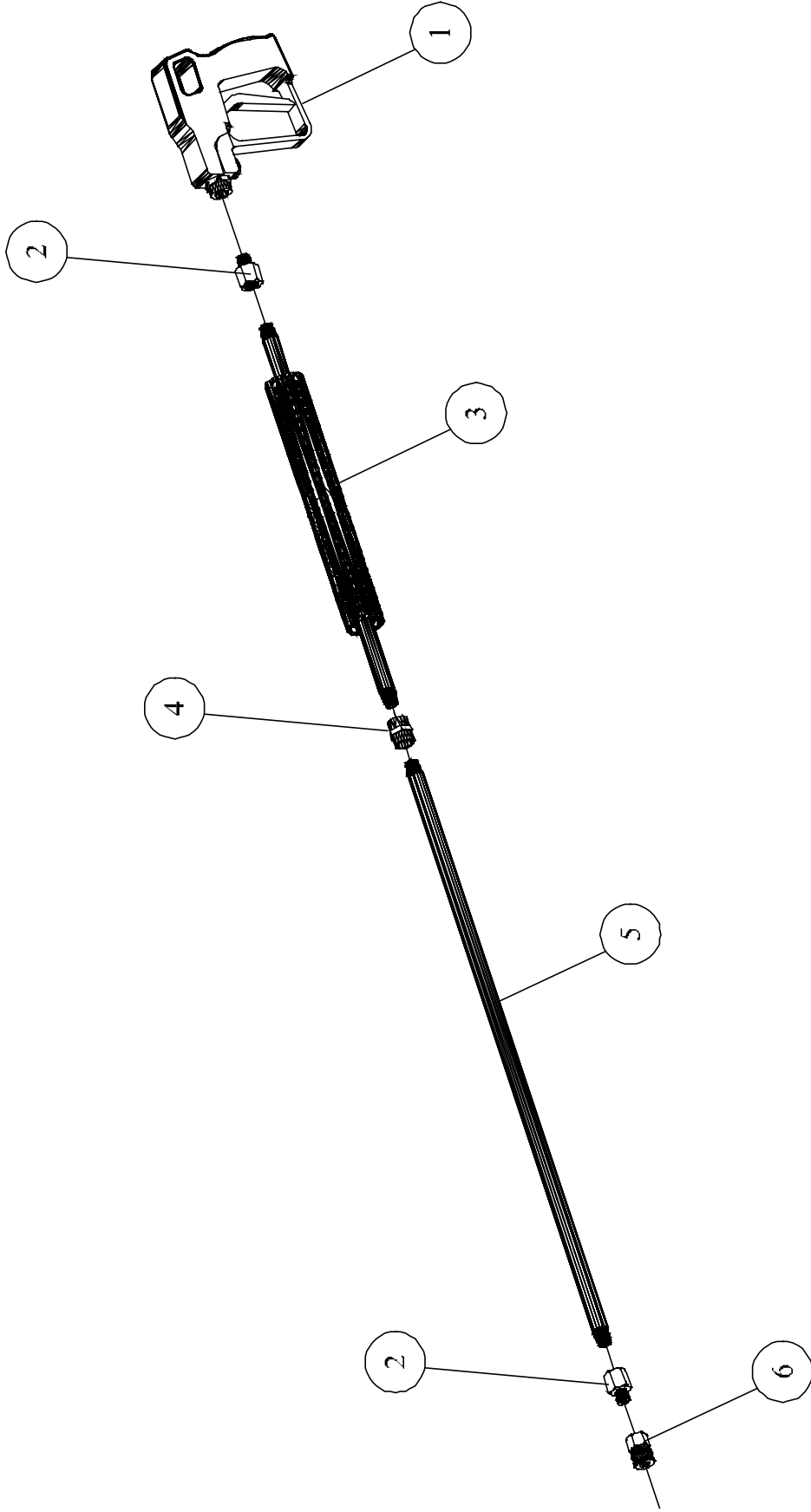
ITEM NO.	QTY.	DESCRIPTION	PART NO.
1	1	PLATE, COVER, PANEL, CONTROL, BOX, JUNC, HPW	JD8513
2	1	DECAL, PANEL, INSTRUCTION, SJ 70, OEP & GES	JD8430
3	2	SWITCH, ROCKER, SP, ST, 10A, 24V, LED, LIGHT	JE1004

FIGURE 1-6 (Panel, Instruction, SJ 70, GES, Ass'y)



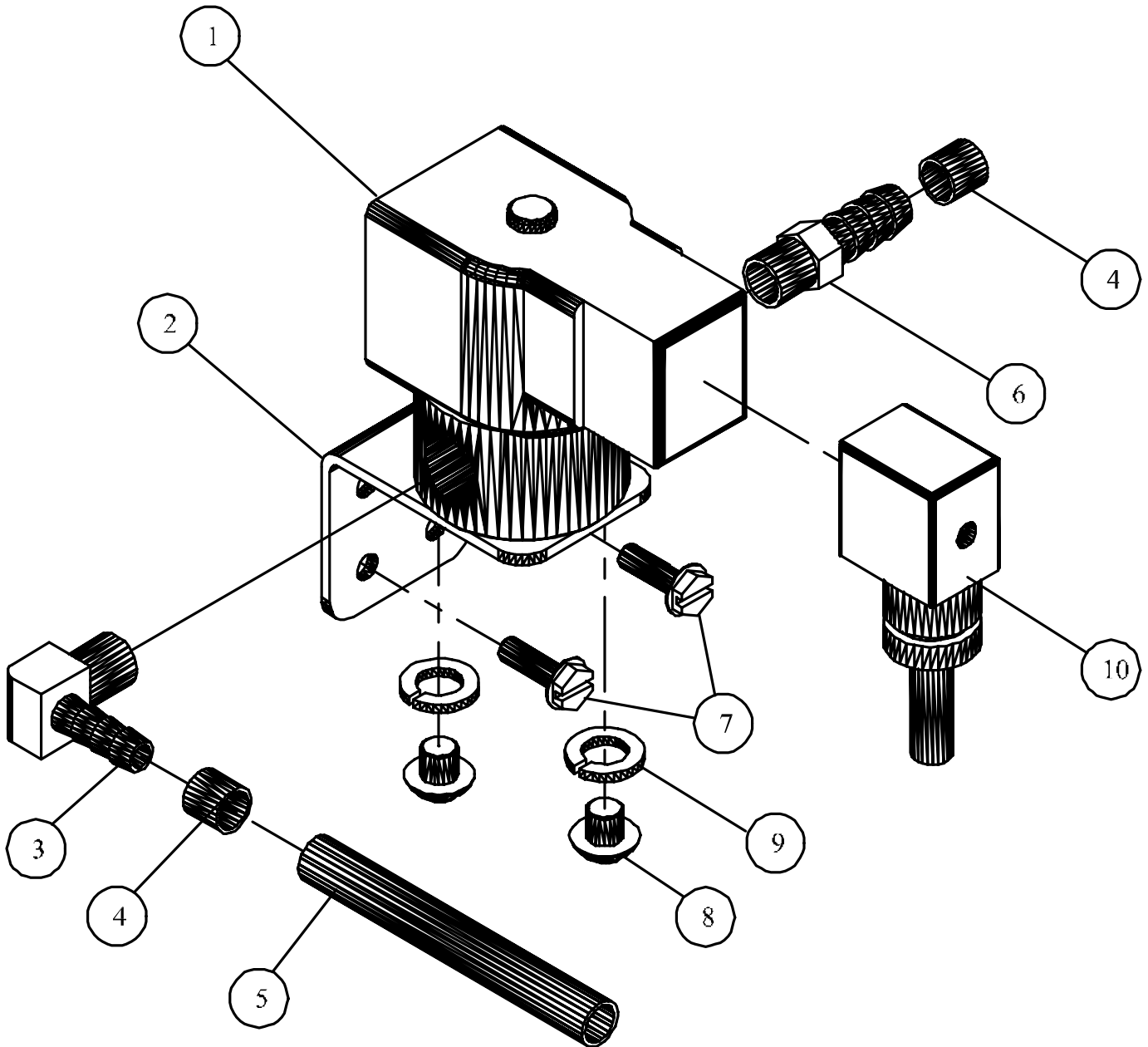
ITEM NO.	QTY.	DESCRIPTION	PART NO.
1A	1	NOZZLE, STEAM, 3/4 HEX, STEEL, PLATED, 3/8 X 3/8	JP3308-B
1B	1	NOZZLE, FAN, STEAM, 2" WIDE	JD 459
2	2	ORIFICE, STEAM, SS, #44	JP3175-02
3	2	COUPLING, HEX, BRASS, 3/8NPTF X 1/4 NPTF	JD 920-01
4	2	PLUG QUICK, COUPLING, BRASS, 1/4" NPTM	JD3103-04

FIGURE 1-7 (NOZZLE, STEAM & FAN, COMBINATION, FITTINGS, SJ 70, GES, ASSY)



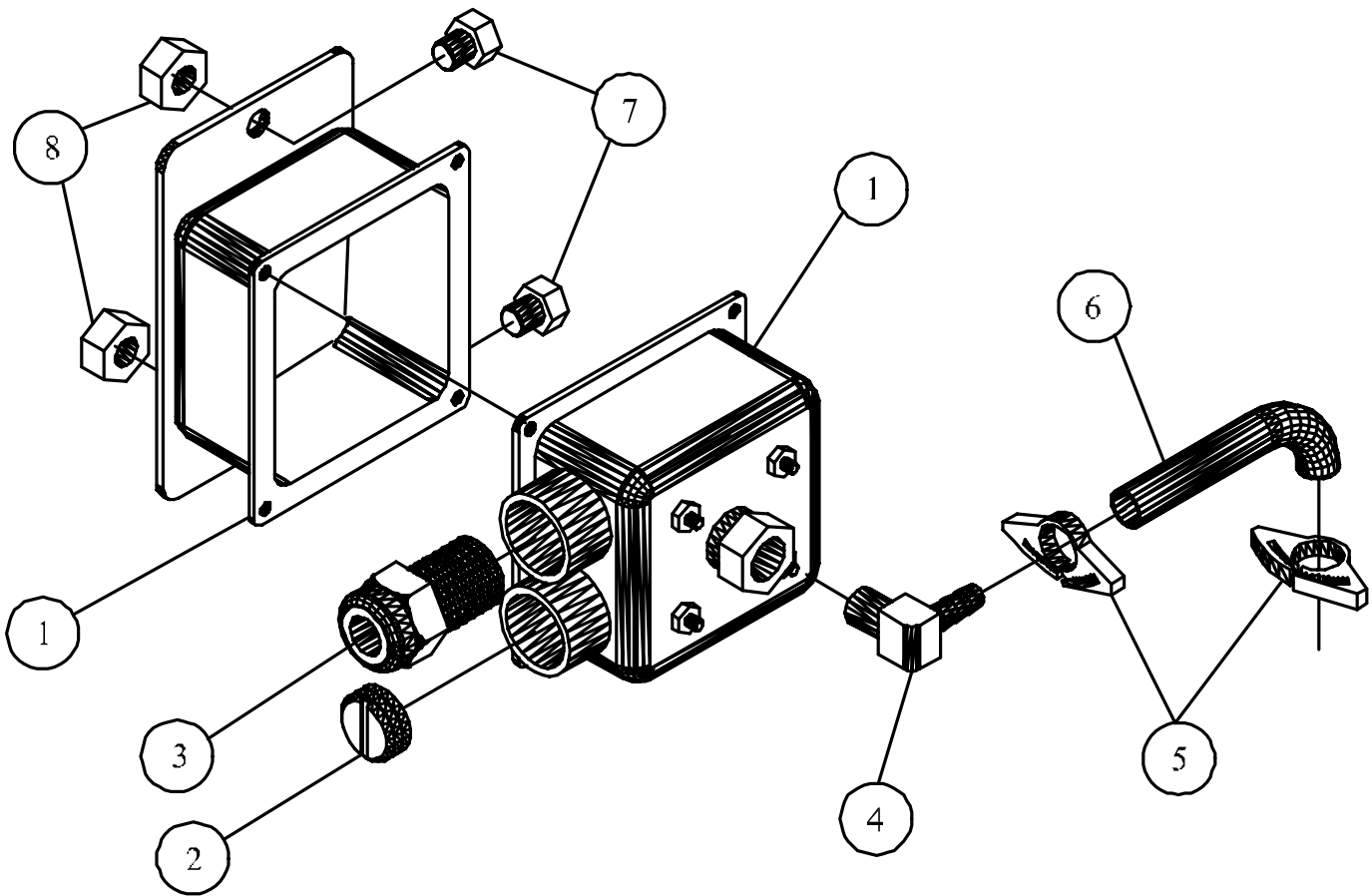
ITEM NO.	QTY.	DESCRIPTION	PART NO.
1	1	GUN, TRIGGER, 3000PSI, 8GPM, 320F	JD6068-B
2	2	ADAPTER, EXPANDING, STEEL, PLATED, 1/4M X 3/8F	JD6224
3	1	HANDLE, PERFORATED, SCH80, STEEL, ASSY, 3/8	JE 280-E
4	1	COUPLING, HEX, STEEL, PLATED, 3/8NPT X 3/8NPT	JD 907-04
5	1	NIPPLE, STEEL, SCH80, 3/8NPT X 28 LONG	JD 963
6	1	SOCKET, QUICK, COUPLING, BRASS, 1/4M X 3/8F	JD3102-02

FIGURE 1-8 (GUN, SCH80, N/C, W/O, SWIVEL, ASSY, 3/8", JP4261-H)



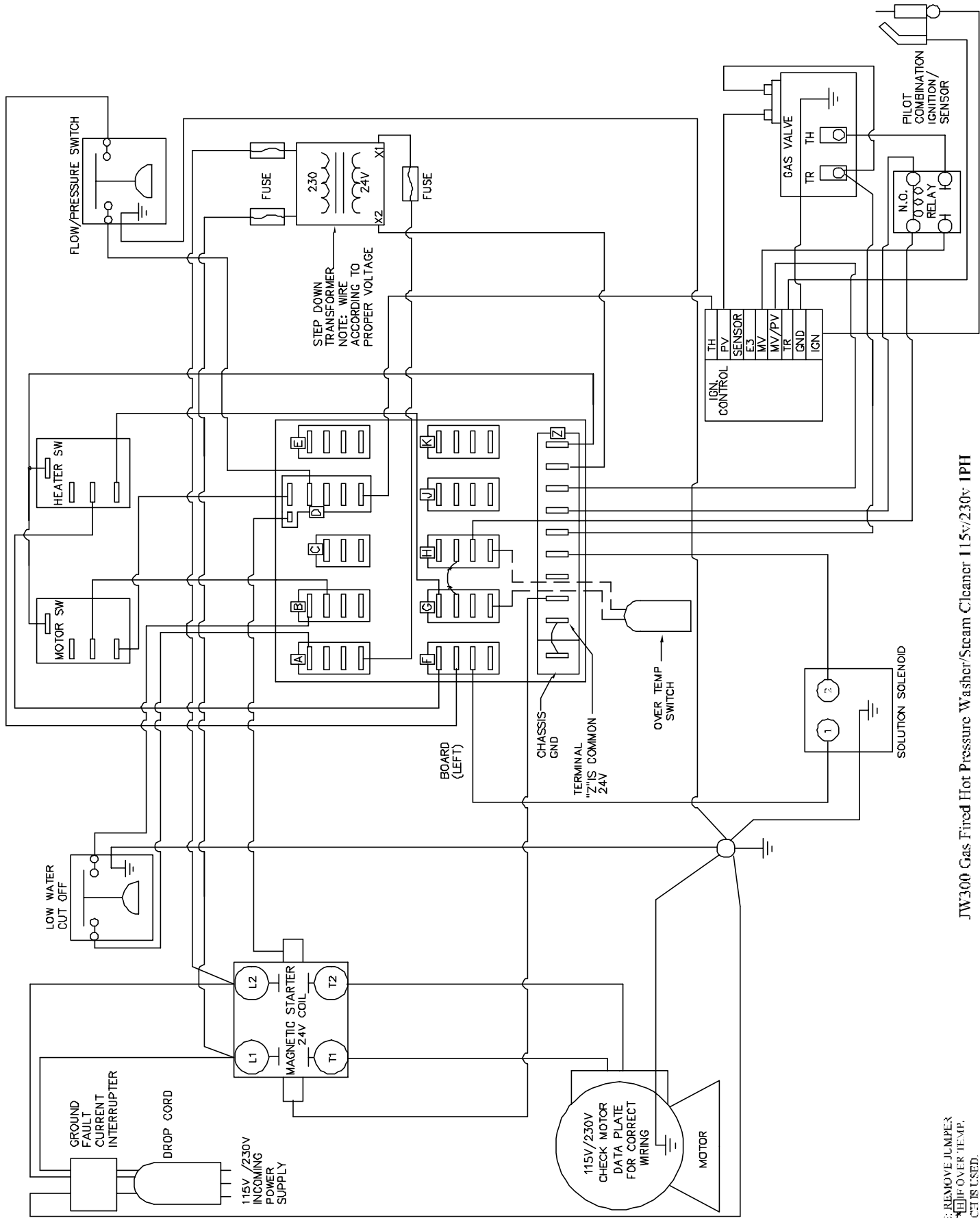
ITEM NO.	QTY.	DESCRIPTION	PART NO.
1	1	VALVE, SOLENOID, SOLUTION, 24V, 1/4NPT	JD2162-F
2	1	BRACKET, MOUNTING, SOLUTION, SOLENOID	JD7760
3	1	BARB, HOSE, ELBOW, MALE, BRASS, 1/4HS X 1/4 NPT	JD7078
4	2	CLAMP, SLEEVE, PLASTIC, 3/8 I.D.	JD2759
5	1	TUBING, PVC, CLEAR, 3/8 O.D. X 1/4 I.D.	JD3087
6	1	BARB HOSE 1/4 HS X 1/4 NPT	JD2765
7	2	SCREW, SLF, DRL, HEX WASHER, PLTD, #10 X 5/8	JD7074-A
8	2	SCREW, MACHINE, PHILLIPS, ST, PL, 10-32 X 3/8	JD3234
9	2	WASHER, LOCK, SPLIT, STEEL, PLATED, #10	JD624
10	1	CONNECTOR, SOLENOID, RELIEF, STRAIN, DIN	JD7703

FIGURE 20-1 (VALVE, SOLUTION, SOLENOID, JD2162-F, ASSY)




ITEM NO.	QTY.	DESCRIPTION	PART NO.
1	1	SWITCH, PRESSURE, W/BRACKET, WELDED ASSY	JP7731
2	1	PLUG, HOLE, BOX, JUNCTION, 1/2 NPS	JD7719
3	1	CONNECTOR, RELIEF, STRAIN, 1/4-3/8, 1/2NPM	JD1687-06
4	1	BARB, HOSE, ELBOW, MALE, BRASS, 1/4HS X 1/4NPT	JD7078
5	2	CLAMP, HOSE, NYLON, BLACK, .406/.468 DIA	JD-7859-A
6	1	TUBING, PVC, REINFORCED, 1/4ID	JD7850
7	2	SCREW, FLANGE, HEX, SERR,ST, PL, 1/4-20 X 1/2	JD7904-A
8	2	NUT, LOCK, FLANGE, HEX, SERR, ST, PL, 1/4-20	JD7774-D

FIGURE 20-2 (SWITCH, PRESSURE, W/BRACKET, WELDED, JD7731, ASS'Y)



JW300 Gas Fired Hot Pressure Washer/Steam Cleaner 115V/230V IPIH

NOTE: REMOVE JUMPER
 IF OVER TEMP.
 SWITCH IS USED.